

Muncie PTO brought to you by Pro Gear & Transmission

REBUILT MUNCIE PTO

877-776-4600 | 407-872-1901

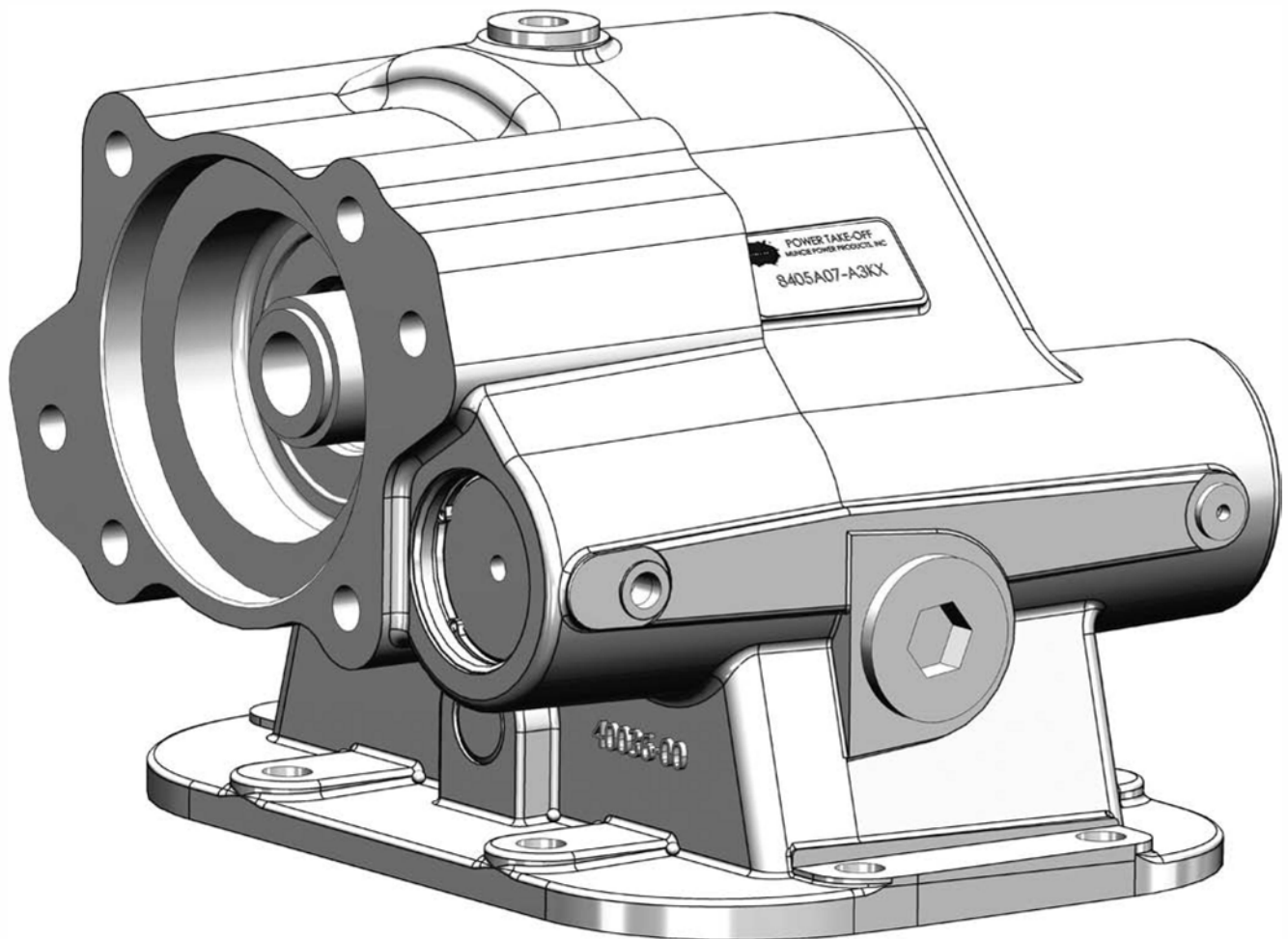


For Muncie PTO parts or service call Pro Gear & Transmission, Inc.
877-776-4600 / 407-872-1901 | parts@eprogear.com



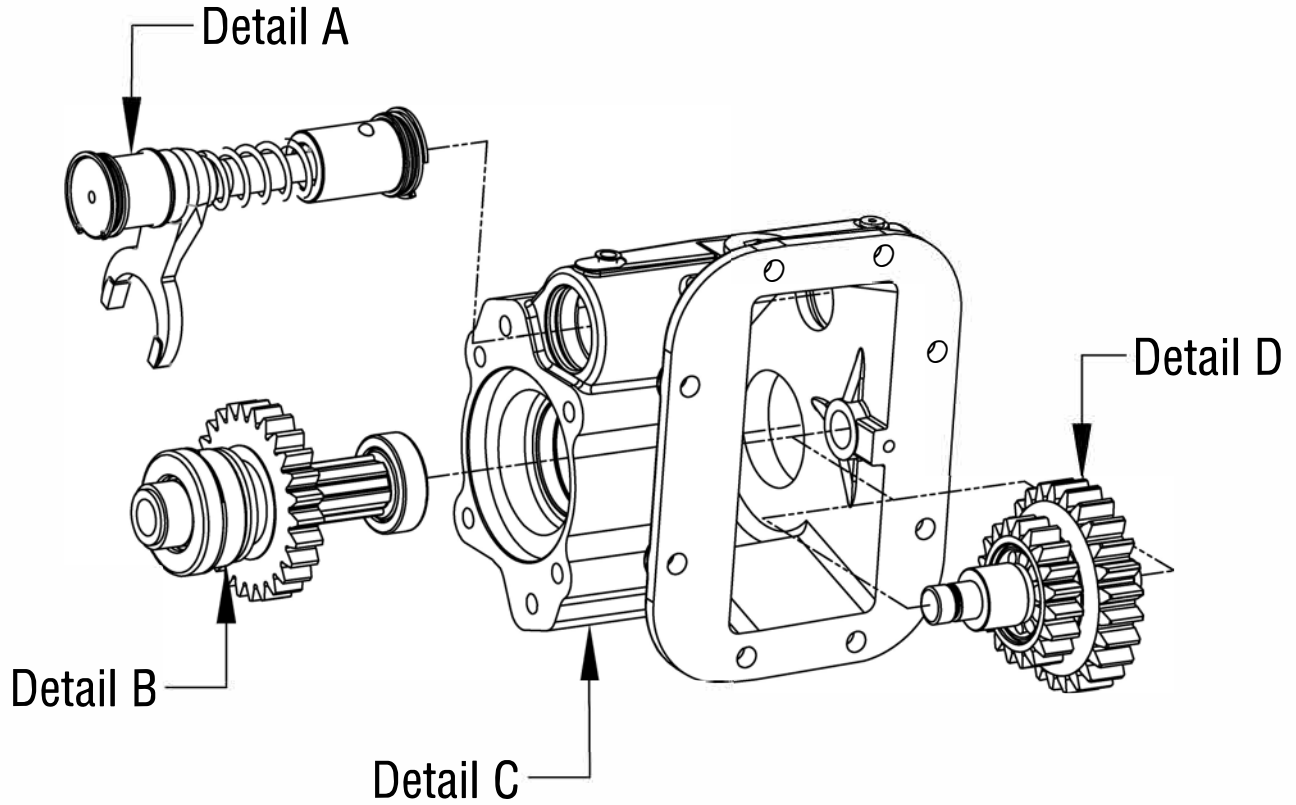
8405/6A SERIES PTO

SERVICE PARTS AND SERVICE MANUAL

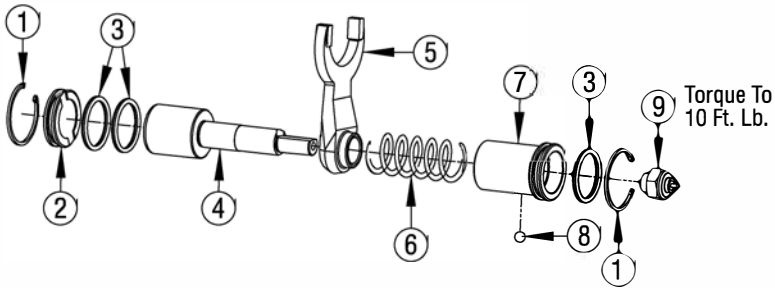


Muncie Power Products, Inc.

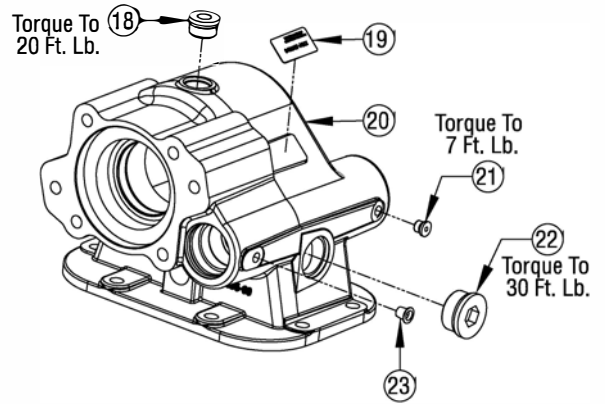
EXPLODED VIEW



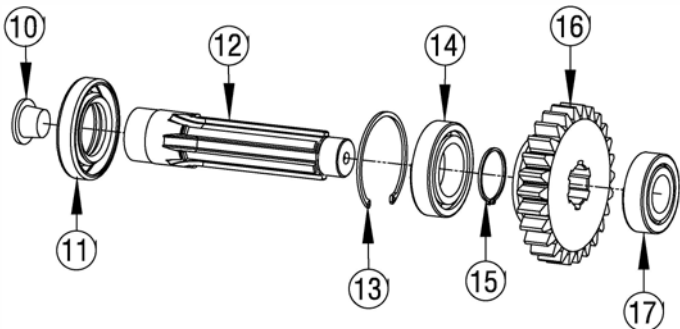
DETAIL A: PISTON ASSEMBLY



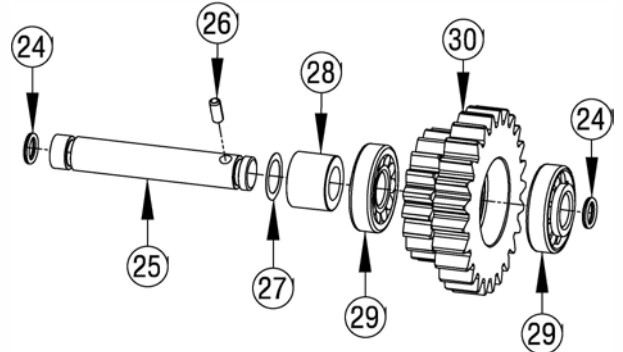
DETAIL C: PTO HOUSING



DETAIL B: OUTPUT SHAFT ASSEMBLY



DETAIL D: IDLER SHAFT ASSEMBLY



PARTS LIST AND DESCRIPTION

| ITEM | QTY. | PART NO. | DESCRIPTION |
|------|------|-----------|---|
| 1 | 2 | 24T40067 | Snap Ring |
| 2 | 1 | 16T39433 | Cover Ring |
| 3 | 3 | 12T40068 | O-ring |
| 4 | 1 | 49T39434 | Piston |
| 5 | 1 | 28T40070 | Shift Fork |
| 6 | 1 | 27T40071 | Spring |
| 7 | 1 | 49T39432 | Cover |
| 8 | 1 | 10T40072 | Ball 5/16" |
| 9 | 1 | 30T38111 | Indicator Switch <i>(shipped loose)</i> |
| 10 | 1 | 25T35724 | "K" Shaft cap plug |
| | 1 | 25T35725 | "P" Shaft cap plug |
| 11 | 1 | 11T39278 | Seal 35 x 62 x 8 |
| 12 | 1 | See Chart | Output Shaft <i>(Chart 1 Below)</i> |
| 13 | 1 | 24T40065 | Snap Ring |
| 14 | 1 | 10T40064 | Bearing |
| 15 | 1 | 24T40066 | Snap Ring |
| 16 | 1 | 06T39430 | Output Shaft "K" |
| | 1 | 06T39431 | Output Shaft "P" |
| | 1 | 06T40481 | Output Shaft "B" |

| ITEM | QTY. | PART NO. | DESCRIPTION |
|------|------|-----------|--|
| 17 | 1 | 10T21042 | Bearing |
| 18 | 1 | 25T35516 | Plug |
| 19 | 1 | 36MCL100 | Nameplate |
| 20 | 1 | 01T39457 | PTO Housing |
| 21 | 1 | 25T40652 | Plug |
| 22 | 1 | 25T40078 | Plug |
| 23 | 1 | 25T34029 | Plug |
| 24 | 1 | 12T37037 | O-ring |
| 25 | 1 | 07T39435 | Idler Shaft |
| 26 | 1 | 26T36175 | Roll Pin 1/4" x 5/8" |
| 27 | 1 | See Chart | Spacer * <i>(Chart 2 Below)</i> |
| 28 | 1 | 18T39456 | Spacer |
| 29 | 2 | 10T40073 | Bearing |
| 30 | 1 | See Chart | Input Gear <i>(Chart 1 Below)</i> |
| N.S. | 1 | 26T01627 | Key ("B" Shaft only) |
| N.S. | 1 | 8405-GSK | Gasket and Seal Kit (Includes items: 3,11, & 24) |
| N.S. | 1 | 8405-RBK | Rebuild Kit (Includes items: 1,3,6,11,13-15,17,24,26,29) |

CHART 1 – GEAR & SHAFT FOR PTO

| PTO MODEL | OUTPUT SHAFT | OUTPUT GEAR | TEETH | INPUT GEAR | TEETH |
|--------------|--------------|-------------|---------|------------|---------|
| | Item 12 | Item 16 | Item 16 | Item 30 | Item 30 |
| 8405A07-A3KX | 06T39430 | 02T39442 | 26 | 03T39436 | 25/19 |
| 8405A08-A3KX | 06T39430 | 02T39441 | 25 | 03T39439 | 25/21 |
| 8405A09-A3KX | 06T39430 | 02T39440 | 24 | 03T39437 | 25/24 |
| 8406A07-A3KX | 06T39430 | 02T39442 | 26 | 03T39438 | 27/19 |
| 8405A07-A3PX | 06T39431 | 02T39442 | 26 | 03T39436 | 25/19 |
| 8405A08-A3PX | 06T39431 | 02T39441 | 25 | 03T39439 | 25/21 |
| 8405A09-A3PX | 06T39431 | 02T39440 | 24 | 03T39437 | 25/24 |
| 8406A07-A3PX | 06T39431 | 02T39442 | 26 | 03T39438 | 27/19 |
| 8405A07-A3BX | 06T40481 | 02T39442 | 26 | 03T39436 | 25/19 |
| 8405A08-A3BX | 06T40481 | 02T39441 | 25 | 03T39439 | 25/21 |
| 8405A09-A3BX | 06T40481 | 02T39440 | 24 | 03T39437 | 25/24 |

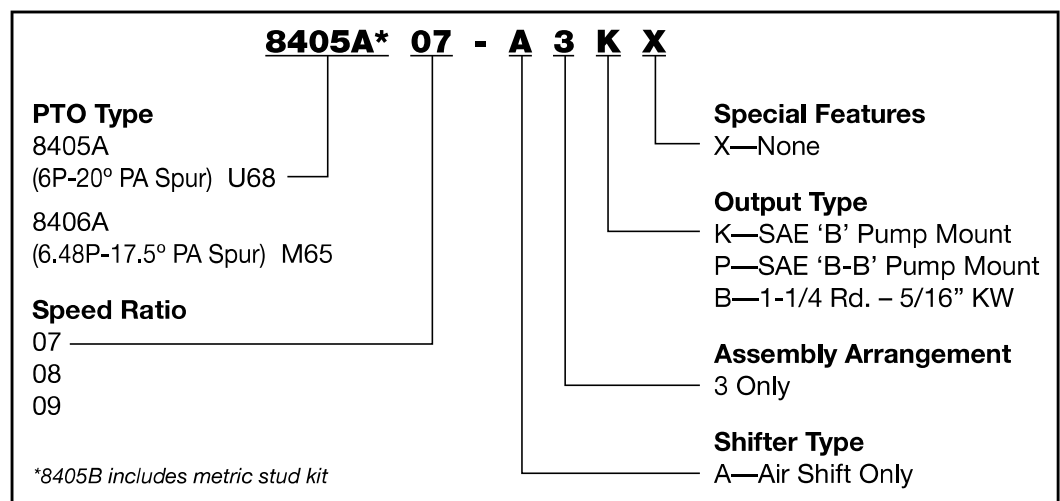
CHART 2

Spacer Shims*

| SPACER/SHIM | DIM. (MM) |
|-------------|----------------|
| 18T40074 | 20 x 28 x 0.20 |
| 18T40075 | 20 x 28 x 0.30 |
| 18T40076 | 20 x 28 x 0.50 |

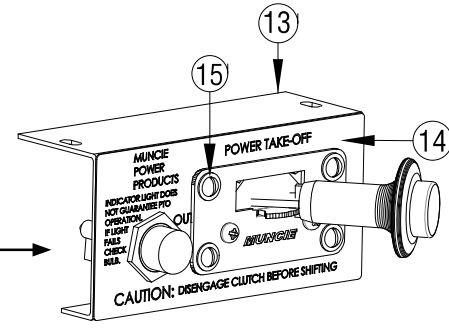
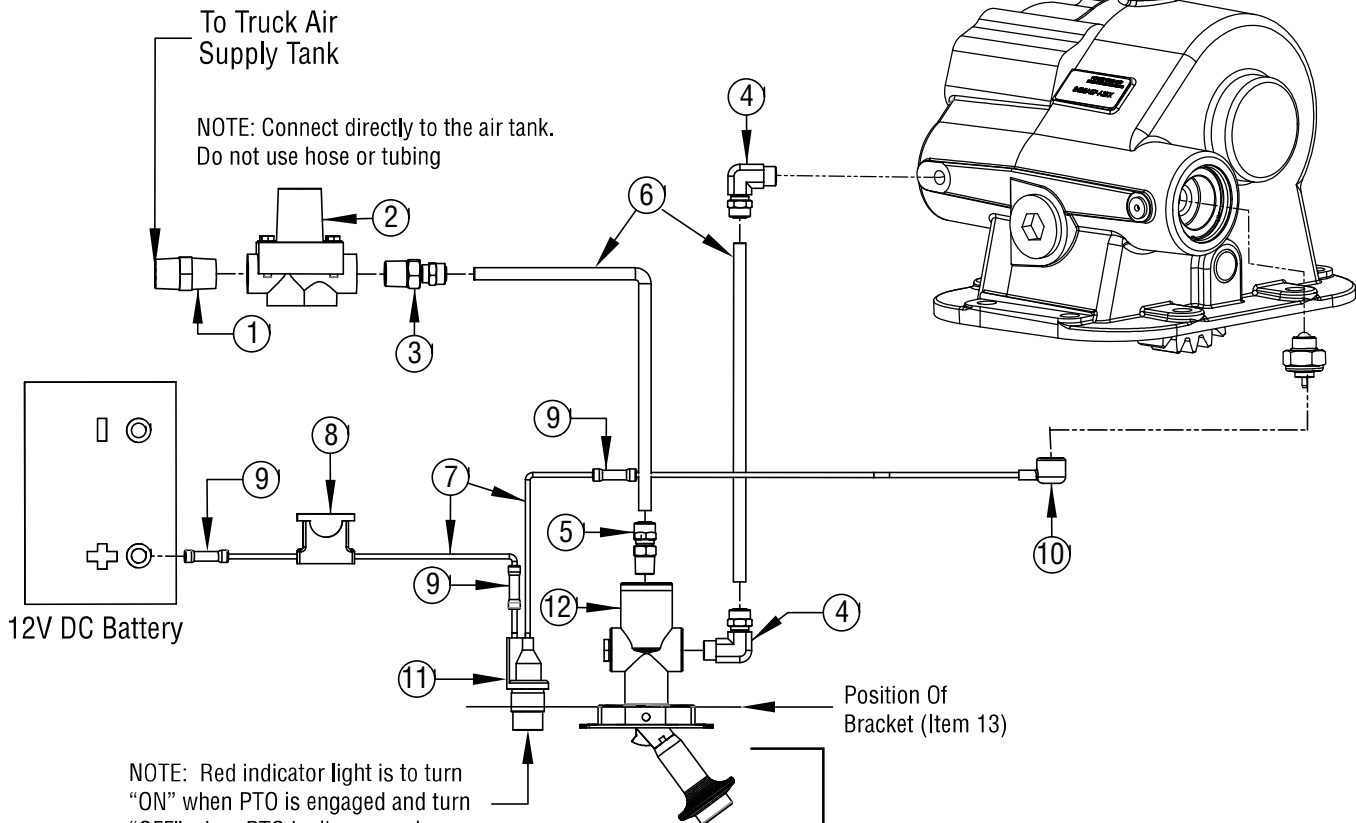
* Use shims as required to set end play in gear to 0.002"-0.005".

MODEL NUMBER CONSTRUCTION



8405/6A SERIES STANDARD AIR SHIFT SYSTEM "A"

48M61250-A (12V Light)

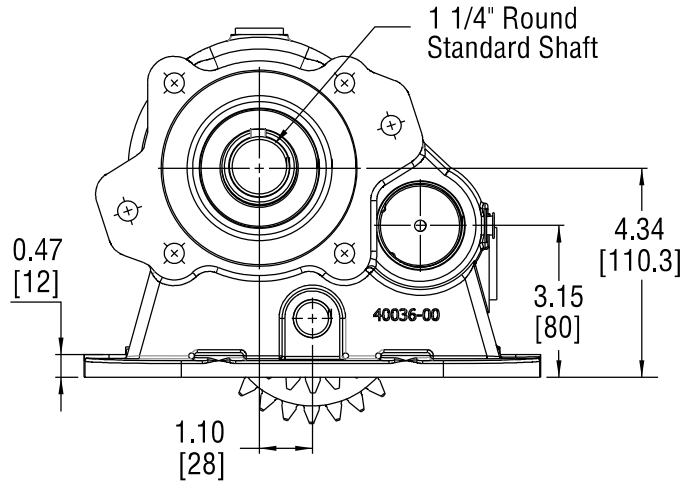
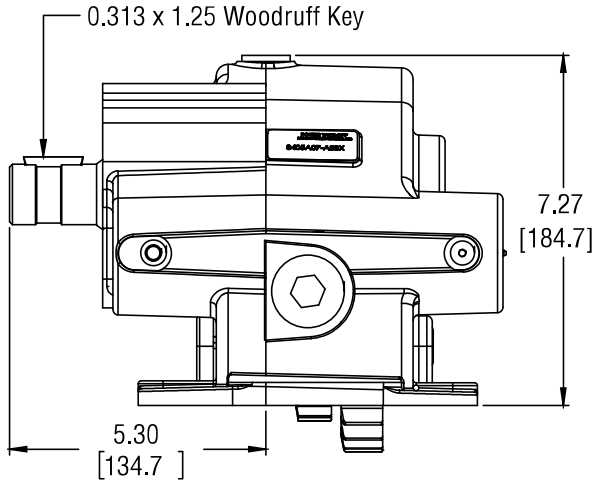


STANDARD AIR SHIFT SYSTEM 8405 Series — 48M61250-A (12 Volt Light)

| ITEM | QTY. | PART NO. | DESCRIPTION |
|------|--------|----------|-----------------------------|
| 1 | 1 | 44MB2164 | Pipe Nipple |
| 2 | 1 | 31M15759 | Pressure Protection Valve |
| 3 | 1 | 44MB6844 | Tube Fitting |
| 4 | 1 | 44MB6942 | Tube Fitting (Elbow) |
| 5 | 1 | 44MB6842 | Tube Fitting |
| 6 | 1 | 45M44430 | Air Tubing (30 ft. x 0.25") |
| 7 | 12 ft. | 37M18000 | Electrical Wire -18 GA |
| 8 | 1 | 33T36299 | Fuse Assembly |
| 9 | 3 | 34M18002 | Butt Splice |
| 10 | 1 | 34T38163 | Booted Connector |
| 11 | 1 | 32M12001 | 12V Light |
| 12 | 1 | 35M18653 | Air Valve |
| 13 | 1 | 36MA1004 | Dash Bracket |
| 14 | 1 | 36M01005 | Face Plate |
| 15 | 1 | 36MK1007 | Bolt Kit |

8405/6A SERIES DIMENSIONS IN INCHES (MM)

"B" OUTPUT OPTION - 1 1/4" Round

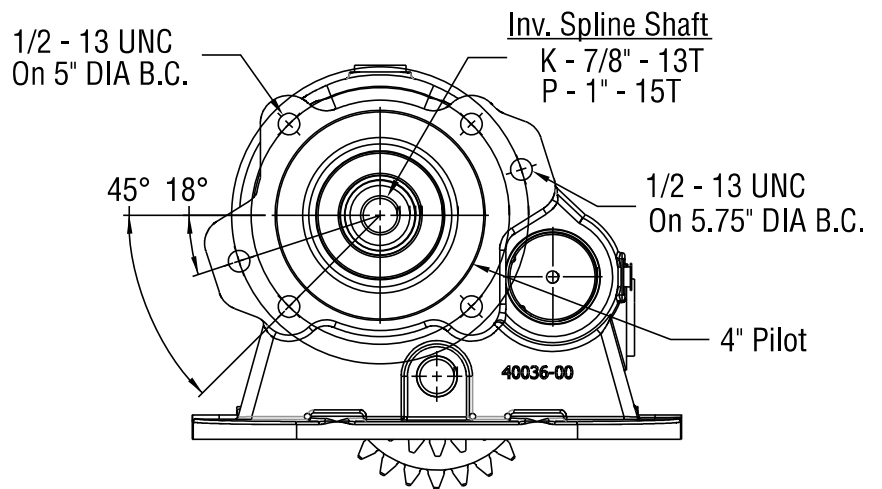
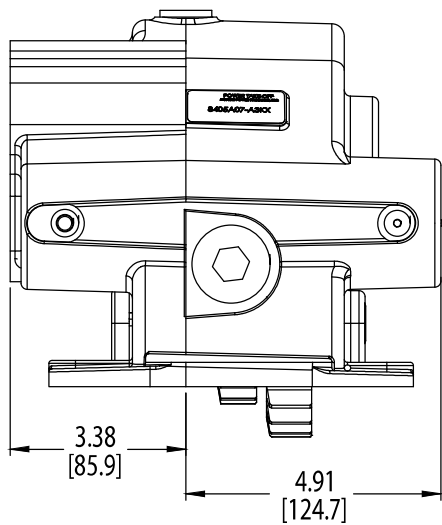


"K" OUTPUT OPTION - SAE "B" 7/8"-13T

"P" OUTPUT OPTION - SAE "B-B" 1"-15T

SAE "B": 2 Or 4 Bolt

SAE "B-B": 2 Or 4 Bolt



INSTALLATION KITS

48TK4965 "A" Shift Option

8405A/8406A

| ITEM | QTY. | PART NO. | DESCRIPTION |
|------|------|----------|--------------------|
| N.S. | 1 | 30T38111 | Indicator Switch |
| N.S. | 1 | 20MK8800 | Stud Kit |
| N.S. | 1 | 36MK3841 | Safety Labels |
| N.S. | 1 | 52MK1004 | Gasket/Instr. Pack |

48TK4966 "P" Shift Option

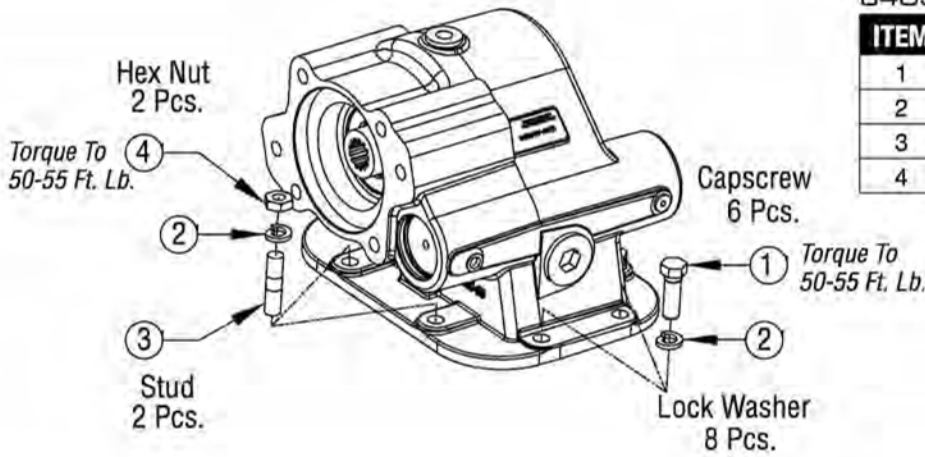
8405A/8406A

| ITEM | QTY. | PART NO. | DESCRIPTION |
|------|------|----------|--------------------|
| N.S. | 1 | 30T38111 | Indicator Switch |
| N.S. | 1 | 34T38163 | Switch Connector |
| N.S. | 1 | 20MK8800 | Stud Kit |
| N.S. | 1 | 36MK3841 | Safety Labels |
| N.S. | 1 | 52MK1004 | Gasket/Instr. Pack |

STUD KIT - 20MK8800

8405A/8406A

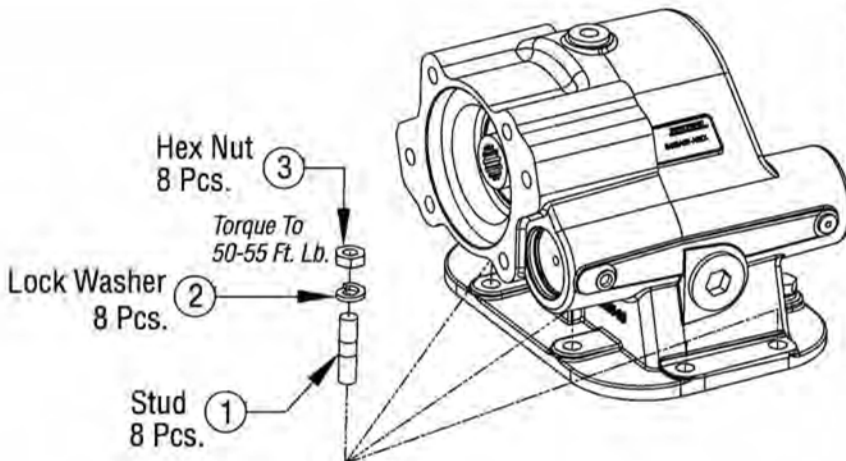
| ITEM | QTY. | PART NO. | DESCRIPTION |
|------|------|----------|-------------|
| 1 | 6 | 19M44138 | Capscrew |
| 2 | 8 | 21ML4375 | Lockwasher |
| 3 | 2 | 20M44175 | Stud |
| 4 | 2 | 22MX4420 | Hex Nut |



STUD KIT - 20MKM802 (METRIC)

8405B/8406B

| ITEM | QTY. | PART NO. | DESCRIPTION |
|------|------|----------|---------------|
| 1 | 8 | 20M47055 | Stud (Metric) |
| 2 | 8 | 21ML4375 | Lockwasher |
| 3 | 8 | 22MX4420 | Hex Nut |



SP10-02 Printed in the U.S.A.
© Muncie Power Products, Inc. 2010

Muncie Power Products, Inc. Member of the Interpump Hydraulics Group
General Offices and Distribution Center • P.O. Box 548 • Muncie, IN 47308-0548
(765) 284-7721 • FAX (765) 284-6991 • E-mail info@munciepower.com
Web site <http://www.munciepower.com>

Drive Products, Exclusive Agents for Canada, ISO Certified by an Accredited Registrar

