

Brought to you by Pro Gear & Transmission courtesy of Parker Hannifin Chelsea PTO

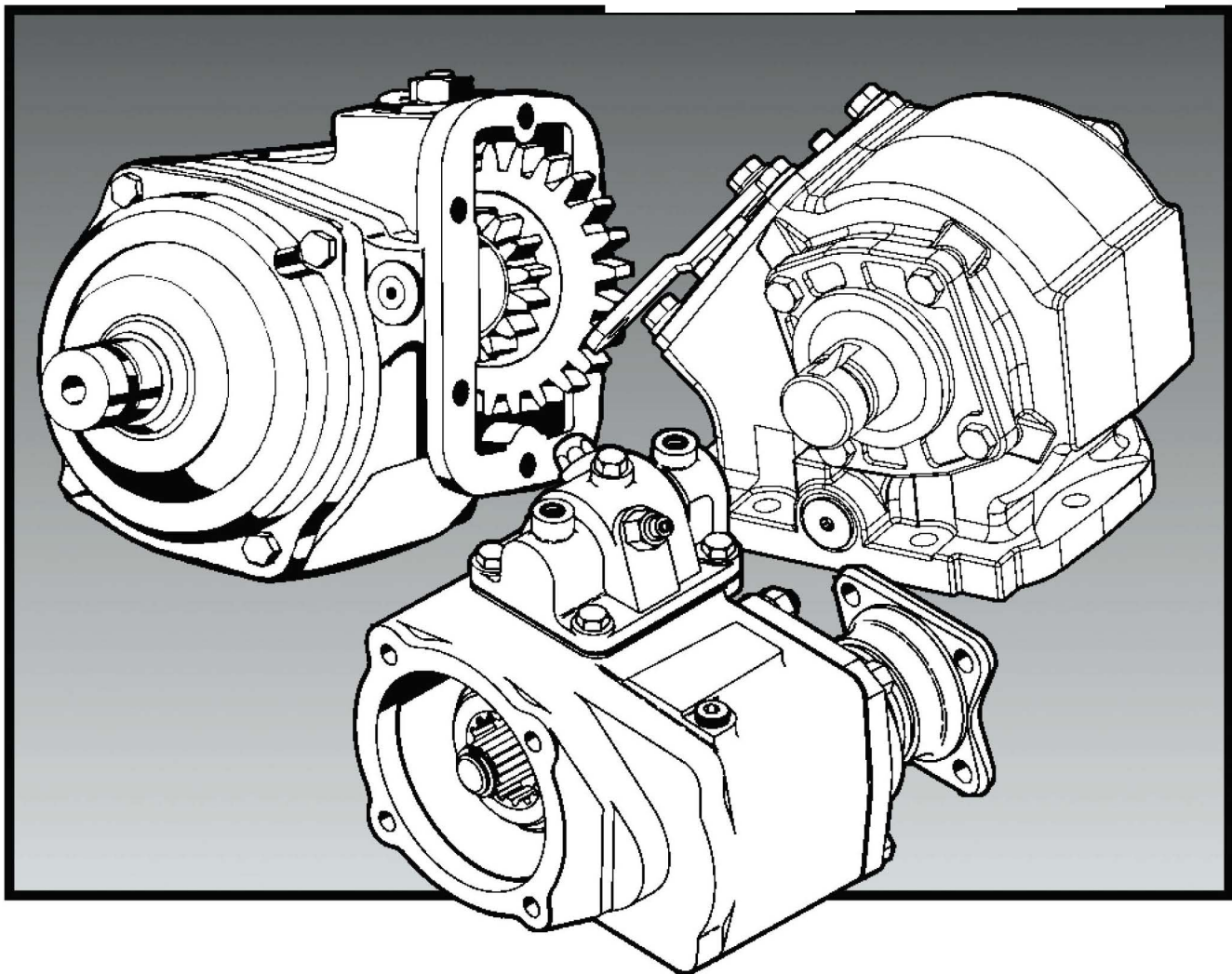


For parts or service call us Pro Gear & Transmission, Inc.
(877) 776-4600 or (407) 872-1901 parts@progear.com

Bulletin HY25-2885-M1/US

CHELSEA[®] **Replacement Parts List** **885 Series Manual**

Effective: October 15, 2001
Supersedes: P410-885 Dated September 2000



For parts or service call us
Pro Gear & Transmission, Inc.



1 (877) 776-4600

(407) 872-1901

parts@eprogear.com

906 W. Gore St.

Orlando, FL 32805



 **WARNING**

FAILURE OR IMPROPER SELECTION OR IMPROPER USE OF THE PRODUCTS AND/OR SYSTEMS DESCRIBED HEREIN OR RELATED ITEMS CAN CAUSE DEATH, PERSONAL INJURY AND PROPERTY DAMAGE.

This document and other information from Parker Hannifin Corporation, its subsidiaries and authorized distributors provide product and/or system options for further investigation by users having technical expertise. It is important that you analyze all aspects of your application and review the information concerning the product or system in the current product catalog. Due to the variety of operating conditions and applications for these products or systems, the user, through its own analysis and testing, is solely responsible for making the final selection of the products and systems and assuring that all performance, safety and warning requirements of the application are met.

The products described herein, including without limitation, product features, specifications, designs, availability and pricing, are subject to change by Parker Hannifin Corporation and its subsidiaries at any time without notice.

Offer of Sale

The items described in this document are hereby offered for sale by Parker Hannifin Corporation, its subsidiaries or its authorized distributors. This offer and its acceptance are governed by the provisions stated in the "Offer of Sale".

© Copyright 2001, Parker Hannifin Corporation, All Rights Reserved

Contents

Exploded View	1
Bill of Materials	2-3
Lubrication Options	4
Pressure Lube Output Options	4
Non-Pressure Lube Output Options	4
Model Number Designation	5
Assembly Arrangements	5
Gear Chart	5
Dimensions	6
Installation	7-8
Shift Installation Kit without Electronic Overspeed Control	7
Shift Installation Kit with Electronic Overspeed Control	8
Conversion Kits	9
Pressure Lubrication Hose Plumbing	10
Offer of Sale	12

Bill of Materials

Item	Part Number	Description	Quantity
1	See Below 1-P-528X	P.T.O. Housing Assembly P.T.O. Housing, Standard Mount (Includes Item 2)	1
2	500597-16	Slotted Roll Pin	1
3	379242	O-Ring Boss Plug (1 Req'd With E.O.C.)	2
4	379231	Pipe Plug .125"-27 NPTF (1 Req'd With E.O.C.)	2
5	68-P-2	Name Plate	1
6	378422	Drive Screw	2
7	See Page 5	Input Gear	1
8	560978	Tapered Bearing Cone	2
9	See Below 14-P-66-1 14-P-66-2 14-P-66-3	Spacer	1
		Bearing Adjusting Spacer .055	AR
		Bearing Adjusting Spacer .060	AR
		Bearing Adjusting Spacer .065	AR
10	14-P-68	Spacer, Input Bearing	1
11	See Below 9-P-79 9-P-80	Idler Shaft	1
		Idler Shaft ("X" Lube Option)	
		Idler Shaft (Self Lube Option "P")	
12	379484	Straight Threaded Connector	1
13	379505	Retainer, O-Ring	1
14	28-P-42	O-Ring (-023)	1
15	28-P-198	O-Ring (-117)	1
16	379556	Run Tee, O-Ring Boss	1
17	21-P-644X	Cap and Seal Assembly	1
25	22-P-92	Gasket, Valve Cap	1
26	378447-6	Capscrew, Hex Head .312"-18 X 1.000"	3
27	379243	Speed Sensor w/ E.O.C.	1
28	28-P-171	O-Ring w/E.O.C.	1
29	See Below 21-P-552 21-P-588	Bearing Cap (Rear Side)	1
		Bearing Cap Ass'y 4 & 6	
		Bearing Cap Ass'y 3 & 5	
30	560982	Tapered Bearing Cup	1
31	379286-18	Capscrew, Hex Head .375"-16 X 2.000"	4
32	22-P-98	Gasket, Bearing Cap	1
33	560986	Tapered Bearing Cone	1
	See Below 329314-1X	Drive Shaft & Clutch Ass'y (Includes Items 34-46)	1
		Drive Shaft & Clutch Ass'y ("XV" 4 & 6)	
34	3-P-883	Output Shaft, Standard (1.500"-10T)	
35	28-P-194	O-RING	2
36	379465	Lock Ring	1
37	329128X	Inner Clutch Gear Assembly	1
38	379489	Clutch Plate (Friction)	8
39	379488	Clutch Plate (Steel)	7
40	37-P-24	Spring	1
41	379821	Piston, Clutch	1
43	28-P-260	O-RING, Piston	1
44	379820	Backup Cylinder	1
46	379532	Lock Ring	1
	See Page 5	XV, XS, XY & AB Options	

N.S. — Not Shown

A.R. — As Required

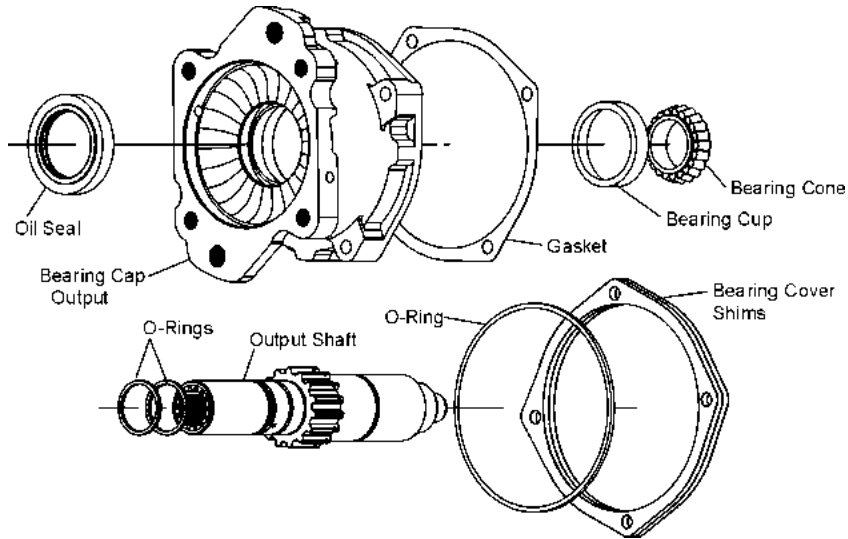
Continued on next page

Bill of Materials

Item	Part Number	Description	Quantity
47	See Page 5	Output Gear	1
48	31-P-92	Thrust Washer	2
49	560975	Caged Roller Bearing	2
50	379511	Lockring	1
51	4-P-76	Spacer, Drive Shaft	1
52	21-P-517 See Page 5	Bearing Cap Ass'y 4 & 6 ("XV" Output) XV, XS, XY & AB Options	1
53	560982 See Page 5	Tapered Bearing Cup ("XV" Output) XV, XS, XY & AB Options	1
54	560986 See Page 5	Tapered Bearing Cone ("XV" Output) XV, XS, XY & AB Options	1
55	28-P-196	O-Ring (-258)	1
56	See Below 55-P-20-1 55-P-20-2 55-P-20-3	Shim, Bearing Cover Shim, Bearing Cover (.003 Green) Shim, Bearing Cover (.010 Brown) Shim, Bearing Cover (Yellow)	AR AR AR
57	28-P-211 See Page 5	Oil Seal ("XV" Output) XV, XS, XY & AB Options	1
58	379286-11	Capscrew, Hex Head .375"-16 X 1.125"	4
59	3-1-3431	Flange, Spicer 1410 Series ("XV" Output Only)	1
60	378382	Locknut ("AB" & "XV" Output Only)	1
61	34-P-16	Cover	1
62	35-P-59	Gasket	1
63	378431-6	Capscrew, Hex Head .375"-16 X .625"	6
N.S.	379564-2	Shipping Cap (Pressure Lube Only)	2
N.S.	379097	Inspection Tag	1
N.S.	See Below	Pipe Plug / Shipping Plug	2
N.S.	379231	Pipe Plug .125"-27 NPTF (No Lube Option)	
N.S.	500897-3	Shipping Plug (Pressure Lube Option)	
		Loose Parts	
	328170-192X	Stud Kit	1
	328948-17X	Gasket & Installation Instructions	1
	35-P-15-1	Mounting Gasket	1
	35-P-15-2	Mounting Gasket	1
	329228X	Pressure Lube Mounting Kit	1
	329129-1X	Pressure Lube Hose (36" Long from end to end)	1
	329130-1X	Pressure Lube Hose (16.0"-15.5" Long from end to end)	1
	329130-3X	Pressure Lube Hose (20.0"-20.5" Long from end to end)	1
	See Below	Installation Kits	1
	328388-50X	Installation Kit 12 Volt (Less E.O.C.)	
	328388-51X	Installation Kit 24 Volt (Less E.O.C.)	
	328388-52X	Installation Kit 12 Volt (With E.O.C.)	
	328388-53X	Installation Kit 24 Volt (With E.O.C.)	
	328924-12X	Control Box 12 Volt (With E.O.C.)	1 or
	328924-24X	Control Box 24 Volt (With E.O.C.)	1

N.S. — Not Shown

A.R. — As Required



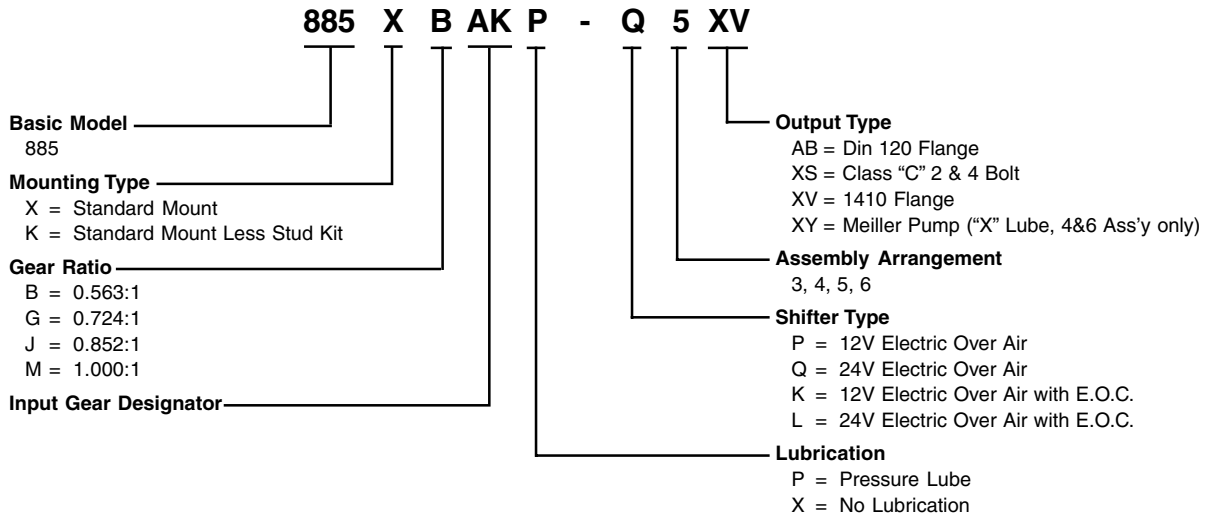
Pressure Lube Output Options

Output Suffix	Bearing Cap		Output Shaft	Drive Shaft & Clutch Ass'y	Oil Seal	Bearing Cup	Bearing Cone	Spacer	Idler Shaft
	Open	Closed							
885****P-*4XS	21-P-544	21-P-552	3-P-884	329314-3X	28-P-219	560977	560976	4-P-76	9-P-80
885****P-*6XS	21-P-544	21-P-552	3-P-884	329314-3X	28-P-219	560977	560976	4-P-76	9-P-80
885****P-*3XS	21-P-645	21-P-588	3-P-899	329314-4X	28-P-219	560977	560976	4-P-170	9-P-80
885****P-*5XS	21-P-645	21-P-588	3-P-898	329314-4X	28-P-219	560977	560976	4-P-170	9-P-80
885****P-*4XV	21-P-596	21-P-552	3-P-883	329314-1X	28-P-211	560982	560986	4-P-76	9-P-80
885****P-*6XV	21-P-596	21-P-552	3-P-883	329314-1X	28-P-211	560982	560986	4-P-76	9-P-80
885****P-*3XV	21-P-584	21-P-588	3-P-897	329314-2X	28-P-211	560982	560986	4-P-76	9-P-80
885****P-*5XV	21-P-584	21-P-588	3-P-897	329314-2X	28-P-211	560982	560986	4-P-76	9-P-80
885****P-*4AB	21-P-596	21-P-552	3-P-883	329314-1X	28-P-211	560982	560986	4-P-76	9-P-80
885****P-*6AB	21-P-596	21-P-552	3-P-883	329314-1X	28-P-211	560982	560986	4-P-76	9-P-80
885****P-*3AB	21-P-584	21-P-588	3-P-897	329314-2X	28-P-211	560982	560986	4-P-76	9-P-80
885****P-*5AB	21-P-584	21-P-588	3-P-897	329314-2X	28-P-211	560982	560986	4-P-76	9-P-80

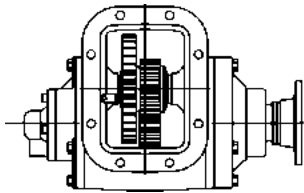
Non-Pressure Lube Output Options

Output Suffix	Bearing Cap		Output Shaft	Drive Shaft & Clutch Ass'y	Oil Seal	Bearing Cup	Bearing Cone	Spacer	Idler Shaft
	Open	Closed							
885****X-*4XS	21-P-515	21-P-552	3-P-884	329314-3X	28-P-219	560977	560976	4-P-76	9-P-79
885****X-*6XS	21-P-515	21-P-552	3-P-884	329314-3X	28-P-219	560977	560976	4-P-76	9-P-79
885****X-*3XS	21-P-586	21-P-588	3-P-899	329314-4X	28-P-219	560977	560976	4-P-170	9-P-79
885****X-*5XS	21-P-586	21-P-588	3-P-898	329314-4X	28-P-219	560977	560976	4-P-170	9-P-79
885****X-*4XV	21-P-517	21-P-552	3-P-883	329314-1X	28-P-211	560982	560986	4-P-76	9-P-79
885****X-*6XV	21-P-517	21-P-552	3-P-883	329314-1X	28-P-211	560982	560986	4-P-76	9-P-79
885****X-*3XV	21-P-584	21-P-588	3-P-897	329314-2X	28-P-211	560982	560986	4-P-76	9-P-79
885****X-*5XV	21-P-584	21-P-588	3-P-897	329314-2X	28-P-211	560982	560986	4-P-76	9-P-79
885****X-*4XY	21-P-541	21-P-552	3-P-884	329314-5X	28-P-212	560984	560985	4-P-76	9-P-79
885****X-*6XY	21-P-541	21-P-552	3-P-884	329314-5X	28-P-212	560984	560985	4-P-76	9-P-79
885****X-*4AB	21-P-517	21-P-552	3-P-883	329314-1X	28-P-211	560982	560986	4-P-76	9-P-79
885****X-*6AB	21-P-517	21-P-552	3-P-883	329314-1X	28-P-211	560982	560986	4-P-76	9-P-79
885****X-*3AB	21-P-584	21-P-588	3-P-897	329314-2X	28-P-211	560982	560986	4-P-76	9-P-79
885****X-*5AB	21-P-584	21-P-588	3-P-897	329314-2X	28-P-211	560982	560986	4-P-76	9-P-79

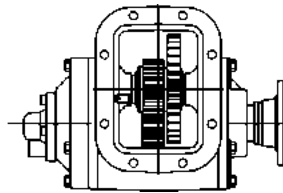
Model Number Designation



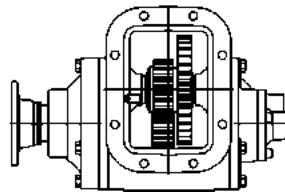
Assembly Arrangements



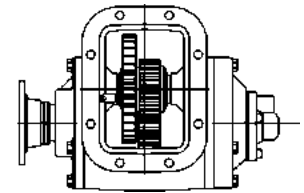
Ass'y 3



Ass'y 4



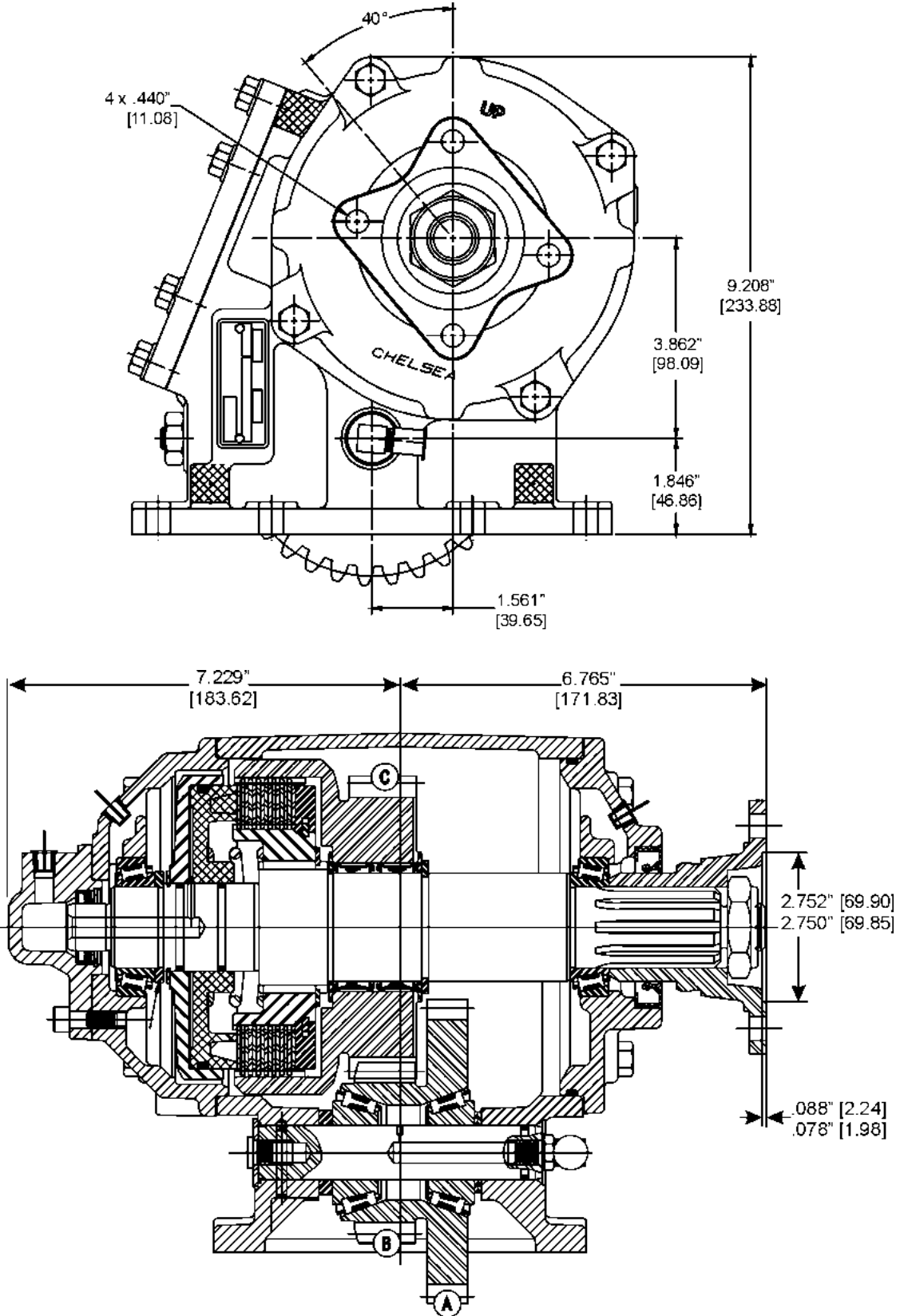
Ass'y 5



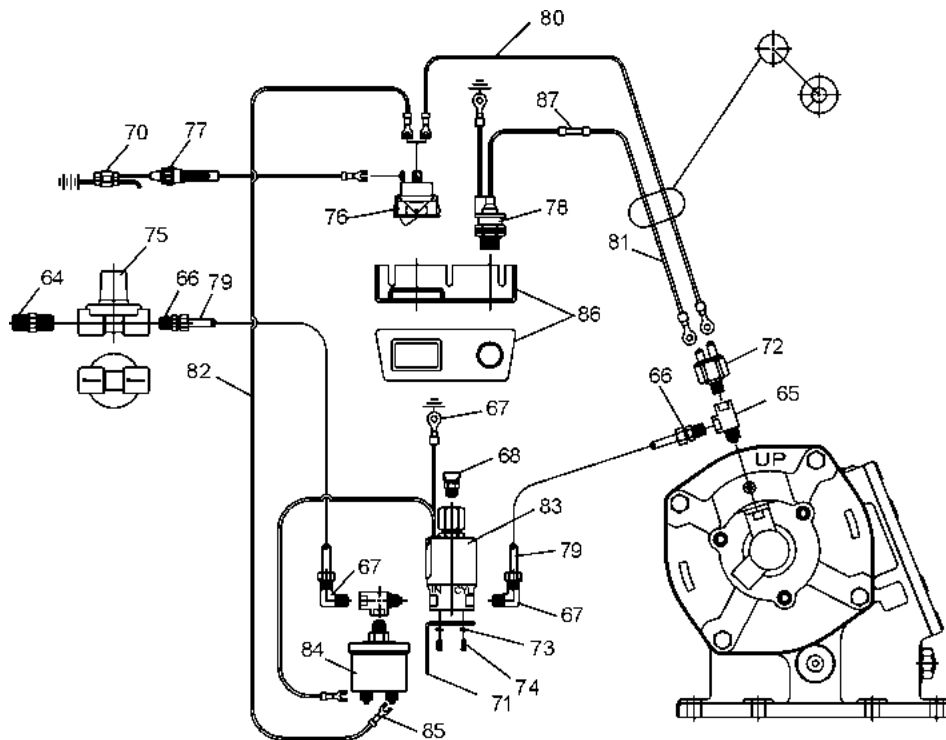
Ass'y 6

Gear Chart

Model Number	Input Gear Item 5			Gear Type	Output Gear Item 47	
	Input Gear Part Number	No. Teeth Lg. Cluster	No. Teeth Sm. Cluster		Output Gear Part Number	No. Teeth
885*BAH	5-P-1100	32	18	SPUR	2-P-742	32
885*GAH	5-P-1135	32	21	SPUR	2-P-743	29
885*JAH	5-P-1102	32	23	SPUR	2-P-744	27
885*MAH	5-P-1103	32	25	SPUR	2-P-762	25
885*BAK	5-P-1106	32	18	SPUR	2-P-742	32
885*GAK	5-P-1108	32	21	SPUR	2-P-743	29
885*JAK	5-P-1109	32	23	SPUR	2-P-744	27
885*MAK	5-P-1110	32	25	SPUR	2-P-762	25
885*BDA	5-P-1120	35	18	SPUR	2-P-742	32
885*GDA	5-P-1174	35	21	SPUR	2-P-743	29

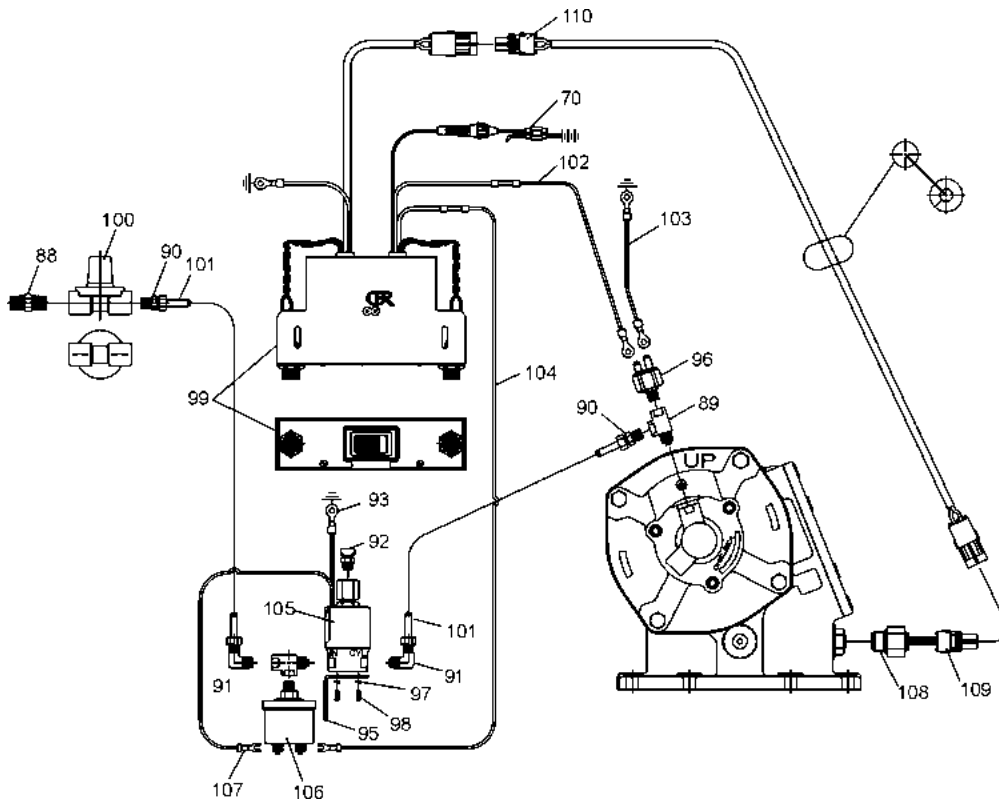


Shift Installation Kit without Electronic Overspeed Control

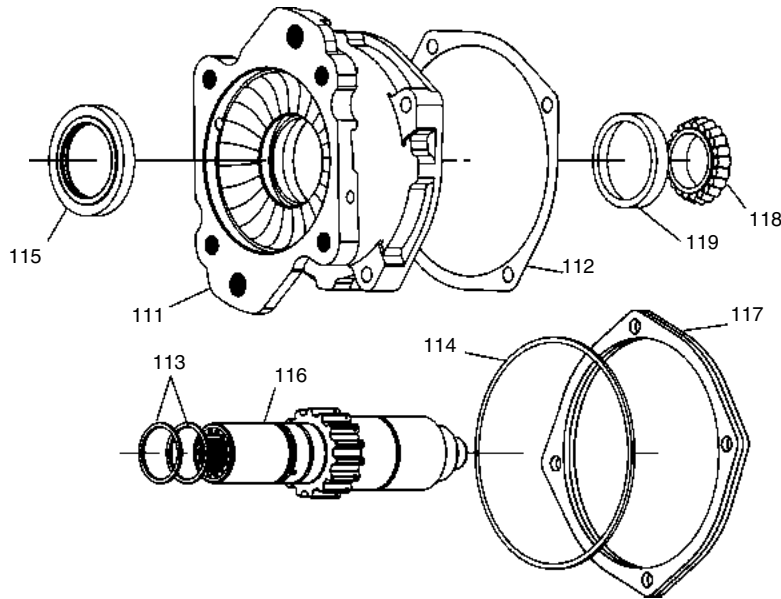


Item	Part Number	Description
	328388-50X	Installation Kit 12 Volt (without E.O.C.)
	328388-51X	Installation Kit 24 Volt (without E.O.C.)
	328388-49X	Air Shift Installation Kit (Includes Items 64-74)
64	378416	Hex Nipple
65	378966	Screen Adapter
66	379042	Male Connector
67	379043	Male Elbow 90°
68	379106	Breather Atmospheric 1/8"-27 NPT
69	379253	Ring Connector
70	379257	Splice Connector
71	379258	Mounting Bracket
72	379547	Pressure Switch
73	500357-7	Lockwasher
74	500457-6	Mounting Screw
75	378414	Valve
76	378881	Rocker Switch
77	378884	Fuse Holder
78	378978	Indicator Light 12 Volt
	379005	Indicator Light 24 Volt
79	379044-7	Nylon Tubing
80	379254-13	Wire Ring Connector
81	379254-15	Ring Wire & Butt Connector
82	379254-8	Ring Connector
83	379303-1	Solenoid 12 Volt
	379303-2	Solenoid 24 Volt
84	379305	Pressure Switch
85	379306	Fork Connector
86	379336	Name Plate & Bracket
87	379252	Butt Connector

Shift Installation Kit with Electronic Overspeed Control

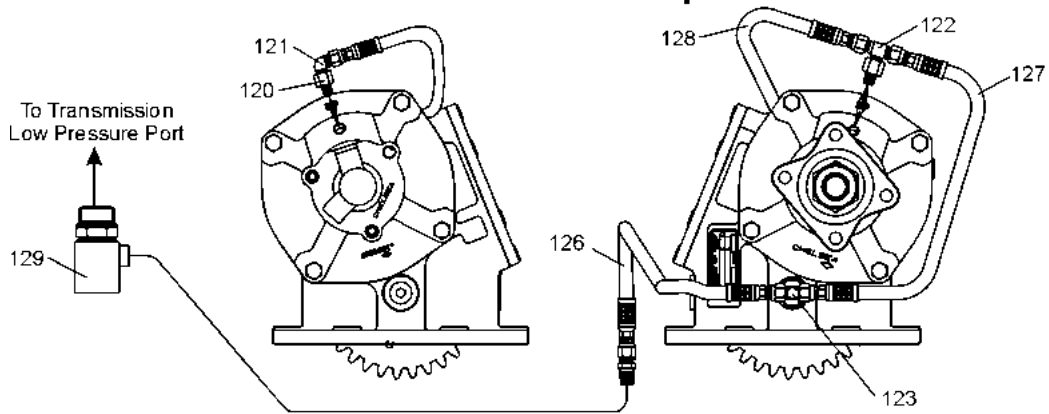


Item	Part Number	Description
	328388-52X	Installation Kit 12 Volt
	328388-53X	Installation Kit 24 Volt
	328388-49X	Air Shift Installation Kit (Includes Items 88-98)
88	378416	Hex Nipple
89	378966	Screen Adapter
90	379042	Male Connector
91	379043	Male Elbow 90°
92	379106	Breather Atmospheric 1/8"-27 NPT
93	379253	Ring Connector
94	379257	Splice Connector
95	379258	Mounting Bracket
96	379547	Pressure Switch
97	500357-7	Lockwasher
98	500457-6	Mounting Screw
99	328924-12X	12V Speed Limiter w/ E.O.C.
	328924-24X	24V Speed Limiter w/ E.O.C.
100	378414	Valve
101	379044-7	Nylon Tubing
102	379254-13	Wire Ring Connector
103	379254-14	Wire & 2 Ring Connector
104	379254-8	Ring Connector
105	379303-1	Solenoid 12 Volt
	379303-2	Solenoid 12 Volt
106	379305	Pressure Switch
107	379306	Fork Connector
108	28-P-171	O-Ring
109	379243	Speed Sensor
110	328923-10X	Speed Sensor Extension Cable (10ft Supplied w/E.O.C.)
	328923-5X	Speed Sensor Extension Cable (5ft Optional)

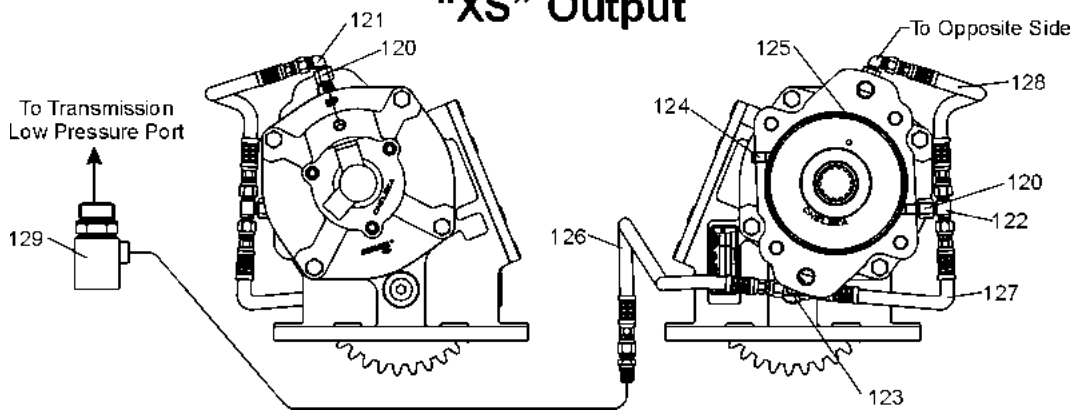


Item	Part Number	Description	Quantity
	328591-37X	Optional Class "C" 2 & 4 Bolt Pump Mounting ("XS") (includes items 111 thru 119)	
111	21-P-544	Bearing Cap	1
112	22-P-98	Bearing Cap Gasket	1
113	28-P-194	O-Ring	2
114	28-P-196	O-Ring	1
115	28-P-219	Oil Seal	1
116	3-P-884	Output Shaft	1
N.S.	379231	Pipe Plug	1
117	55-P-20-1	Shim, Bearing Cover (.003 Green)	2
	55-P-20-2	Shim, Bearing Cover (.010 Brown)	2
	55-P-20-3	Shim, Bearing Cover (Yellow)	2
118	560976	Tapered Bearing Cone ("XS" Output)	1
119	560977	Tapered Bearing Cup ("XS" Output)	1
	328591-38X	Optional Meiller Pump Mounting ("XY") (includes items 111 thru 119)	
111	21-P-541	Bearing Cap	1
112	22-P-98	Bearing Cap Gasket	1
113	28-P-194	O-Ring	2
114	28-P-196	O-Ring	1
115	28-P-212	Oil Seal	1
116	3-P-885	Output Shaft	1
117	55-P-20-1	Shim, Bearing Cover (.003 Green)	2
	55-P-20-2	Shim, Bearing Cover (.010 Brown)	2
	55-P-20-3	Shim, Bearing Cover (Yellow)	2
118	560984	Tapered Bearing Cone ("XY" Output)	1
119	560985	Tapered Bearing Cup ("XY" Output)	1

“XV” & “AB” Output



“XS” Output



Item	Part Number	Description
	329228X	Pressure Lube Mounting Kit (Includes items 120, 121 & 122)
120	379594	Pipe Adapter
121	379625	90° Male Elbow SAE 37° (JIC)
122	379627	Male Pipe Branch Tee to Male SAE 37° (JIC)
123	379556	Straight Thread O-Ring Branch Tee to Male 37° (JIC)
124	379231	Pipe Plug, Hex Socket
125	28-P-245	O-Ring
126	329129-1X	Pressure Lube Hose, End to End Length 36.0"
127	329130-1X	Pressure Lube Hose, End to End Length 16.0"
128	329130-3X	Pressure Lube Hose, End to End Length 20.0"
129	328897	Street Tee

Offer of Sale

The items described in this document and other documents or descriptions provided by Parker Hannifin Corporation, its subsidiaries and its authorized distributors are hereby offered for sale at prices to be established by Parker Hannifin Corporation, its subsidiaries and its authorized distributors. This offer and its acceptance by any customer ("Buyer") shall be governed by all of the following Terms and Conditions. Buyer's order for any such items, when communicated to Parker Hannifin Corporation, its subsidiary or an authorized distributor ("Seller") verbally or in writing, shall constitute acceptance of this offer.

1. Terms and Conditions of Sale: All descriptions, quotations, proposals, offers, acknowledgments, acceptances and sales of Seller's products are subject to and shall be governed exclusively by the terms and conditions stated herein. Buyer's acceptance of any offer to sell is limited to these terms and conditions. Any terms or conditions in addition to, or inconsistent with those stated herein, proposed by Buyer in any acceptance of an offer by Seller, are hereby objected to. No such additional, different or inconsistent terms and conditions shall become part of the contract between Buyer and Seller unless expressly accepted in writing by Seller. Seller's acceptance of any offer to purchase by Buyer is expressly conditional upon Buyer's assent to all the terms and conditions stated herein, including any terms in addition to, or inconsistent with those contained in Buyer's offer. Acceptance of Seller's products shall in all events constitute such assent.

2. Payment: Payment shall be made by Buyer net 30 days from the date of delivery of the items purchased hereunder. Amounts not timely paid shall bear interest at the maximum rate permitted by law for each month or portion thereof that the Buyer is late in making payment. Any claims by Buyer for omissions or shortages in a shipment shall be waived unless Seller receives notice thereof within 30 days after Buyer's receipt of the shipment.

3. Delivery: Unless otherwise provided on the face hereof, delivery shall be made F.O.B. Seller's plant. Regardless of the method of delivery, however, risk of loss shall pass to Buyer upon Seller's delivery to a carrier. Any delivery dates shown are approximate only and Seller shall have no liability for any delays in delivery.

4. Warranty: Seller warrants that the items sold hereunder shall be free from defects in material or workmanship for a period of:

(A) All Power Take-Off units one (1) year from date of installation.

(B) Except 267, 277, 278, 242, 244, 245, 250, 251 and 859 series two (2) years from date of installation.

THIS WARRANTY COMPRISES THE SOLE AND ENTIRE WARRANTY PERTAINING TO ITEMS PROVIDED HEREUNDER. SELLER MAKES NO OTHER WARRANTY, GUARANTEE, OR REPRESENTATION OF ANY KIND WHATSOEVER. ALL OTHER WARRANTIES, INCLUDING BUT NOT LIMITED TO, MERCHANTABILITY AND FITNESS FOR PURPOSE, WHETHER EXPRESS, IMPLIED, OR ARISING BY OPERATION OF LAW, TRADE USAGE, OR COURSE OF DEALING ARE HEREBY DISCLAIMED. NOTWITHSTANDING THE FOREGOING, THERE ARE NO WARRANTIES WHATSOEVER ON ITEMS BUILT OR ACQUIRED WHOLLY OR PARTIALLY, TO BUYER'S DESIGNS OR SPECIFICATIONS.

5. Limitation Of Remedy: SELLER'S LIABILITY ARISING FROM OR IN ANY WAY CONNECTED WITH THE ITEMS SOLD OR THIS CONTRACT SHALL BE LIMITED EXCLUSIVELY TO REPAIR OR REPLACEMENT OF THE ITEMS SOLD OR REFUND OF THE PURCHASE PRICE PAID BY BUYER, AT SELLER'S SOLE OPTION. IN NO EVENT SHALL SELLER BE LIABLE FOR ANY INCIDENTAL, CONSEQUENTIAL OR SPECIAL DAMAGES OF ANY KIND OR NATURE WHATSOEVER, INCLUDING BUT NOT LIMITED TO LOST PROFITS ARISING FROM OR IN ANY WAY CONNECTED WITH THIS AGREEMENT OR ITEMS SOLD HEREUNDER, WHETHER ALLEGED TO ARISE FROM BREACH OF CONTRACT, EXPRESS OR IMPLIED WARRANTY, OR IN TORT, INCLUDING WITHOUT LIMITATION, NEGLIGENCE, FAILURE TO WARN OR STRICT LIABILITY.

6. Changes, Reschedules and Cancellations: Buyer may request to modify the designs or specifications for the items sold hereunder as well as the quantities and delivery dates thereof, or may request to cancel all or part of this order, however, no such requested modification or cancellation shall become part of the contract between Buyer and Seller unless accepted by Seller in a written amendment to this Agreement. Acceptance of any such requested modification or cancellation shall be at Seller's discretion, and shall be upon such terms and conditions as Seller may require.

7. Special Tooling: A tooling charge may be imposed for any special tooling, including without limitation, dies, fixtures, molds and patterns, acquired to manufacture items sold pursuant to this contract. Such special tooling shall be and remain Seller's property notwithstanding payment of any charges by Buyer. In no event will Buyer acquire any interest in apparatus belonging to Seller which is utilized in the manufacture of the items sold hereunder, even if such apparatus has been specially converted or adapted for such manufacture and notwithstanding any charges paid by Buyer. Unless otherwise agreed, Seller shall have the right to alter, discard or otherwise dispose of any special tooling or other property in its sole discretion at any time.

8. Buyer's Property: Any designs, tools, patterns, materials, drawings, confidential information or equipment furnished by Buyer or any other items which become Buyer's property, may be considered obsolete and may be destroyed by Seller after two (2) consecutive years have elapsed without Buyer placing an order for the items which are manufactured using such property, Seller shall not be responsible for any loss or damage to such property while it is in Seller's possession or control.

9. Taxes: Unless otherwise indicated on the face hereof, all prices and charges are exclusive of excise, sales, use, property, occupational or like taxes which may be imposed by any taxing authority upon the manufacture, sale or delivery of the items sold hereunder. If any such taxes must be paid by Seller or if Seller is liable for the collection of such tax, the amount thereof shall be in addition to the amounts for the items sold. Buyer agrees to pay all such taxes or to reimburse Seller therefore upon receipt of its invoice. If Buyer claims exemption from any sales, use or other tax imposed by any taxing authority, Buyer shall save Seller harmless from and against any such tax, together with any interest or penalties thereon which may be assessed if the items are held to be taxable.

10. Indemnity For Infringement of Intellectual Property Rights: Seller shall have no liability for infringement of any patents, trademarks, copyrights, trade dress, trade secrets or similar rights except as provided in this Part 10. Seller will defend and indemnify Buyer against allegations of infringement of U.S. Patents, U.S. Trademarks, copyrights, trade dress and trade secrets (hereinafter 'Intellectual Property Rights'). Seller will defend at its expense and will pay the cost of any settlement or damages awarded in an action brought against Buyer based on an allegation that an item sold pursuant to this contract infringes the Intellectual Property Rights of a third party. Seller's obligation to defend and indemnify Buyer is contingent on Buyer notifying Seller within ten (10) days after Buyer becomes aware of such allegations of infringement, and Seller having sole control over the defense of any allegations or actions including all negotiations for settlement or compromise. If an item sold hereunder is subject to a claim that it infringes the Intellectual Property Rights of a third party, Seller may, at its sole expense and option, procure for Buyer the right to continue using said item, replace or modify said item so as to make it noninfringing, or offer to accept return of said item and return the purchase price less a reasonable allowance for depreciation. Notwithstanding the foregoing, Seller shall have no liability for claims of infringement based on information provided by Buyer, or directed to items delivered hereunder for which the designs are specified in whole or part by Buyer, or infringements resulting from the modification, combination or use in a system of any item sold hereunder. The foregoing provisions of this Part 10 shall constitute Seller's sole and exclusive liability and Buyer's sole and exclusive remedy for infringement of Intellectual Property Rights.

If a claim is based on information provided by Buyer or if the design for an item delivered hereunder is specified in whole or in part by Buyer, Buyer shall defend and indemnify Seller for all costs, expenses or judgments resulting from any claim that such item infringes any patent, trademark, copyright, trade dress, trade secret or any similar right.

11. Force Majeure: Seller does not assume the risk of and shall not be liable for delay or failure to perform any of Seller's obligations by reason of circumstances beyond the reasonable control of Seller (hereinafter 'Events of Force Majeure'). Events of Force Majeure shall include without limitation, accidents, acts of God, strikes or labor disputes, acts, laws, rules or regulations of any government or government agency, fires, floods, delays or failures in delivery of carriers or suppliers, shortages of materials and any other cause beyond Seller's control.

12. Entire Agreement/Governing Law: The terms and conditions set forth herein, together with any amendments, modifications and any different terms or conditions expressly accepted by Seller in writing, shall constitute the entire Agreement concerning the items sold, and there are no oral or other representations or agreements which pertain there/to. This Agreement shall be governed in all respects by the law of the State of Ohio. No actions arising out of the sale of the items sold hereunder or this Agreement may be brought by either party more than two (2) years after the cause of action accrues.

9/01-P

For parts or service call us
Pro Gear & Transmission, Inc.



1 (877) 776-4600

(407) 872-1901

parts@eprogear.com

906 W. Gore St.

Orlando, FL 32805

