

**BROUGHT TO YOU BY PRO GEAR &
TRANSMISSION.**

FOR PARTS OR SERVICE CALL:

[877-776-4600](tel:877-776-4600)

[407-872-1901](tel:407-872-1901)



Roadranger®

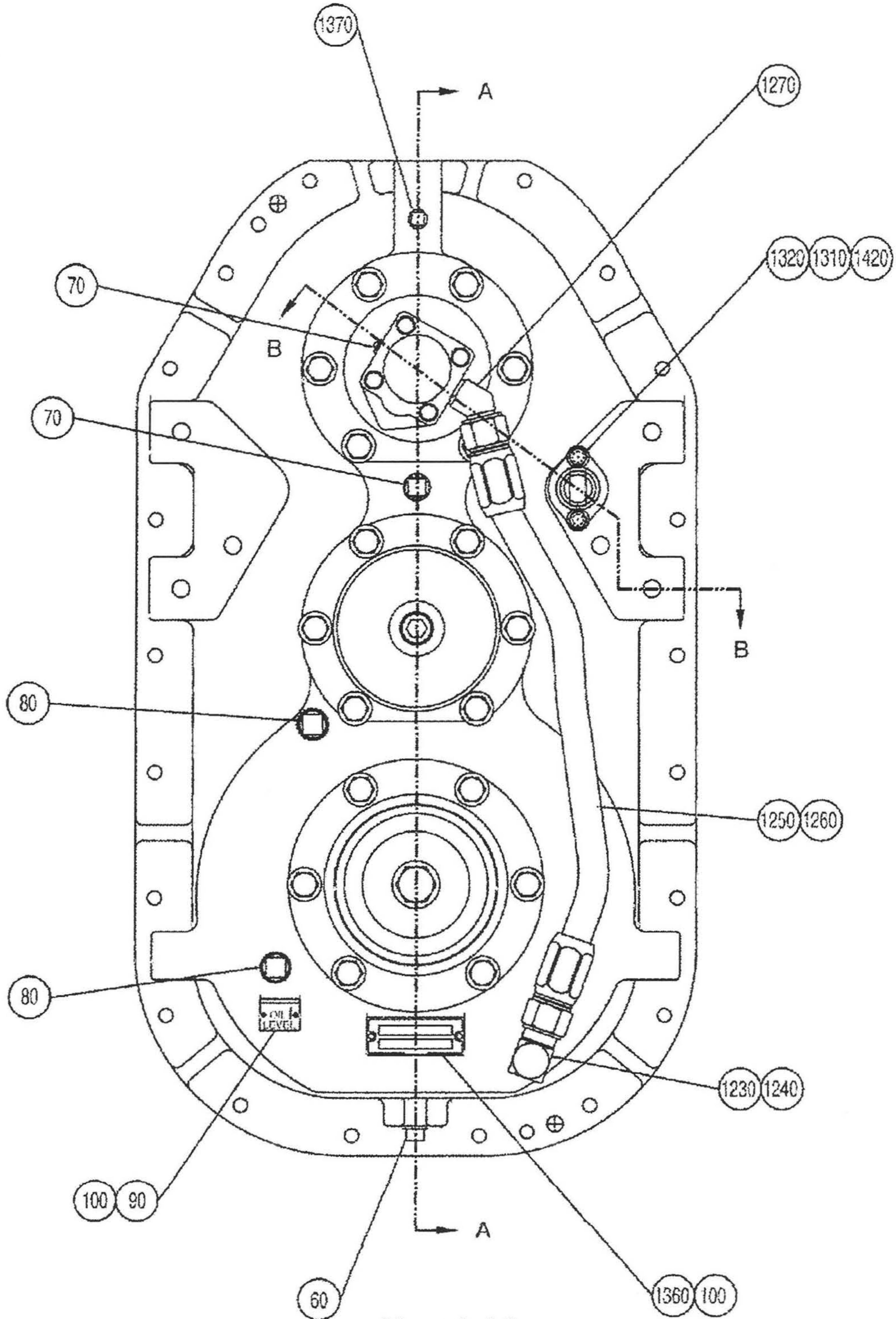
SPICER®



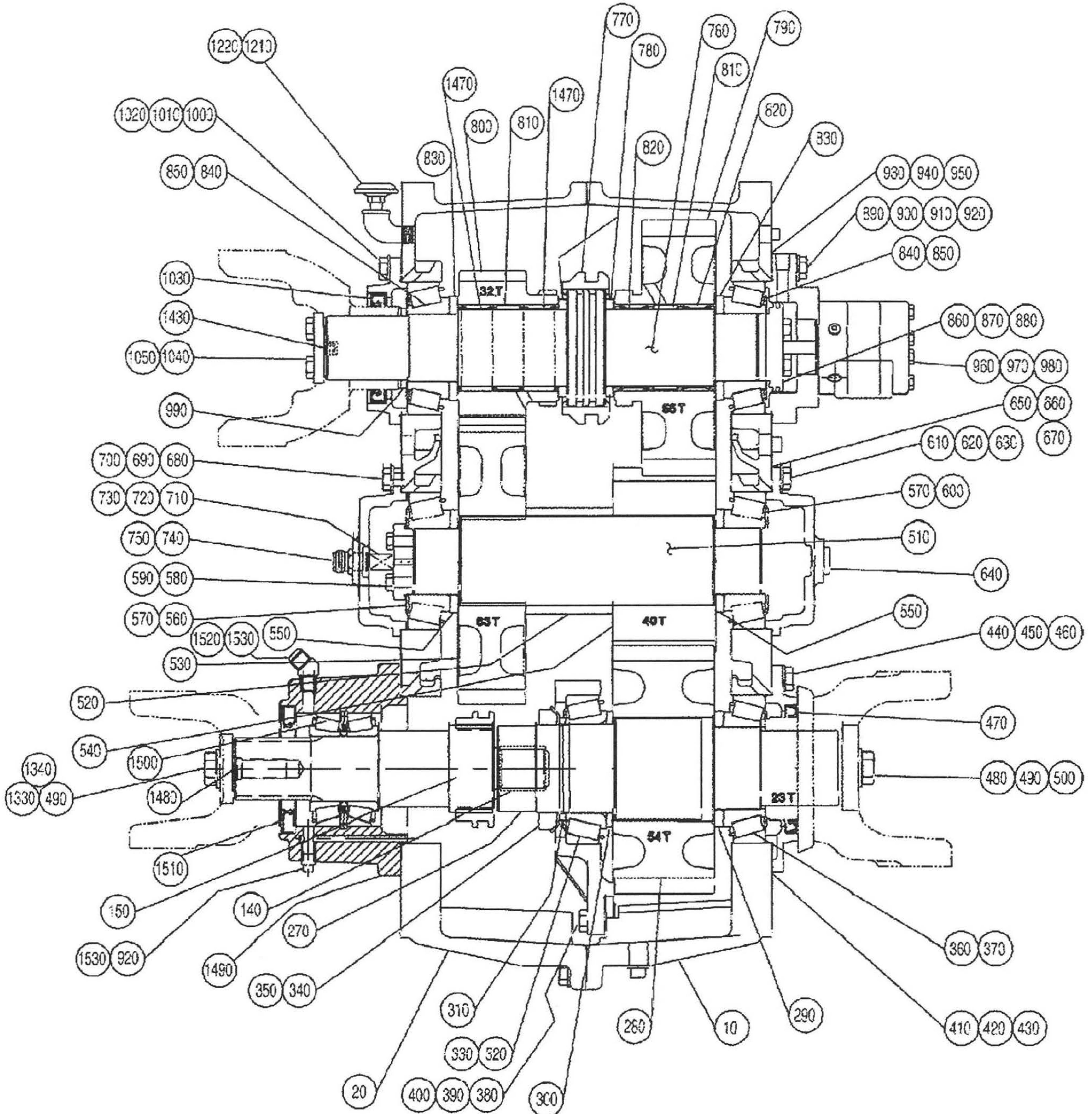
WWW.PGTTRUCKPARTS.COM

906 W. GORE ST. ORLANDO, FL 32805

PARTS@EPROGEAR.COM

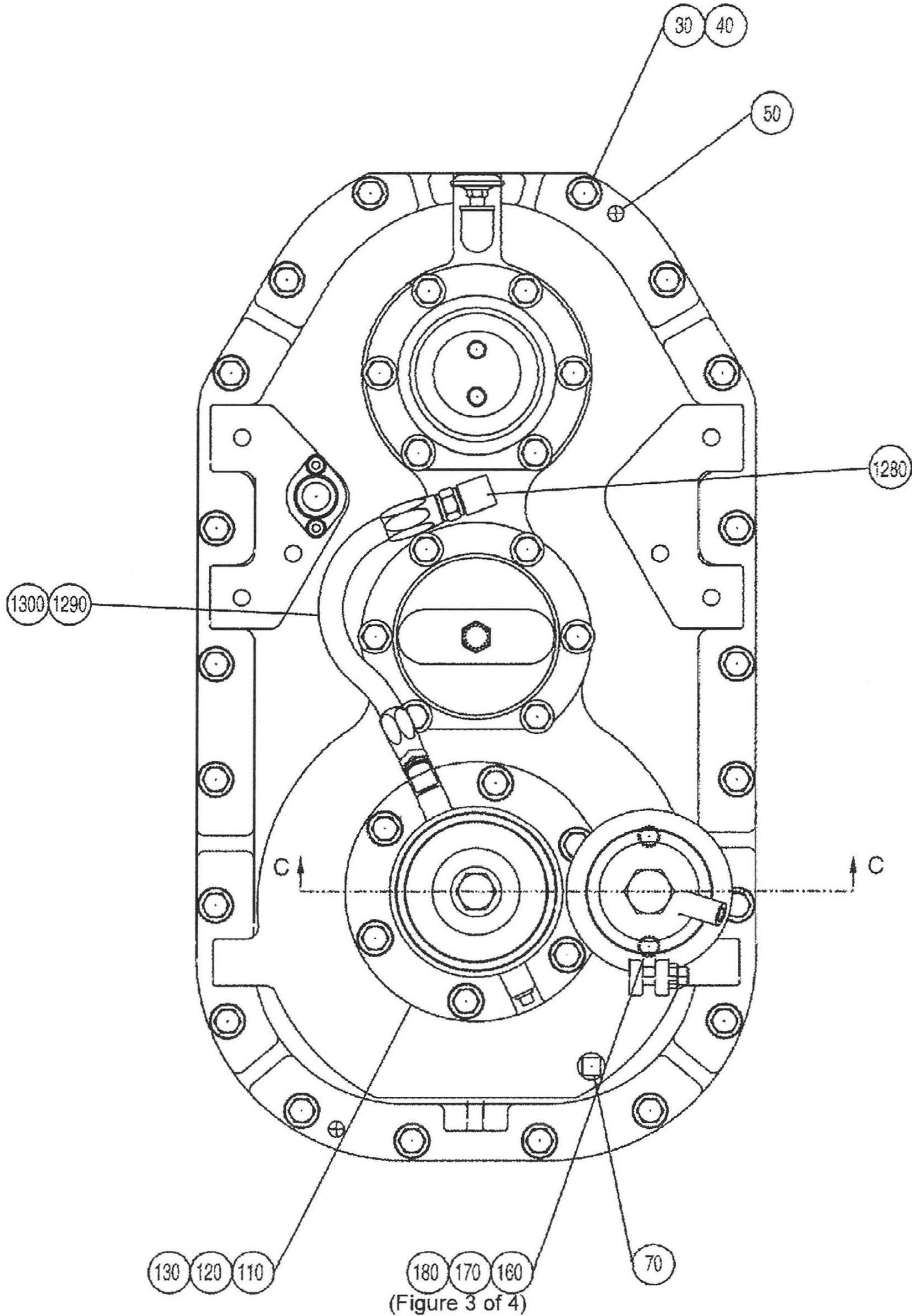


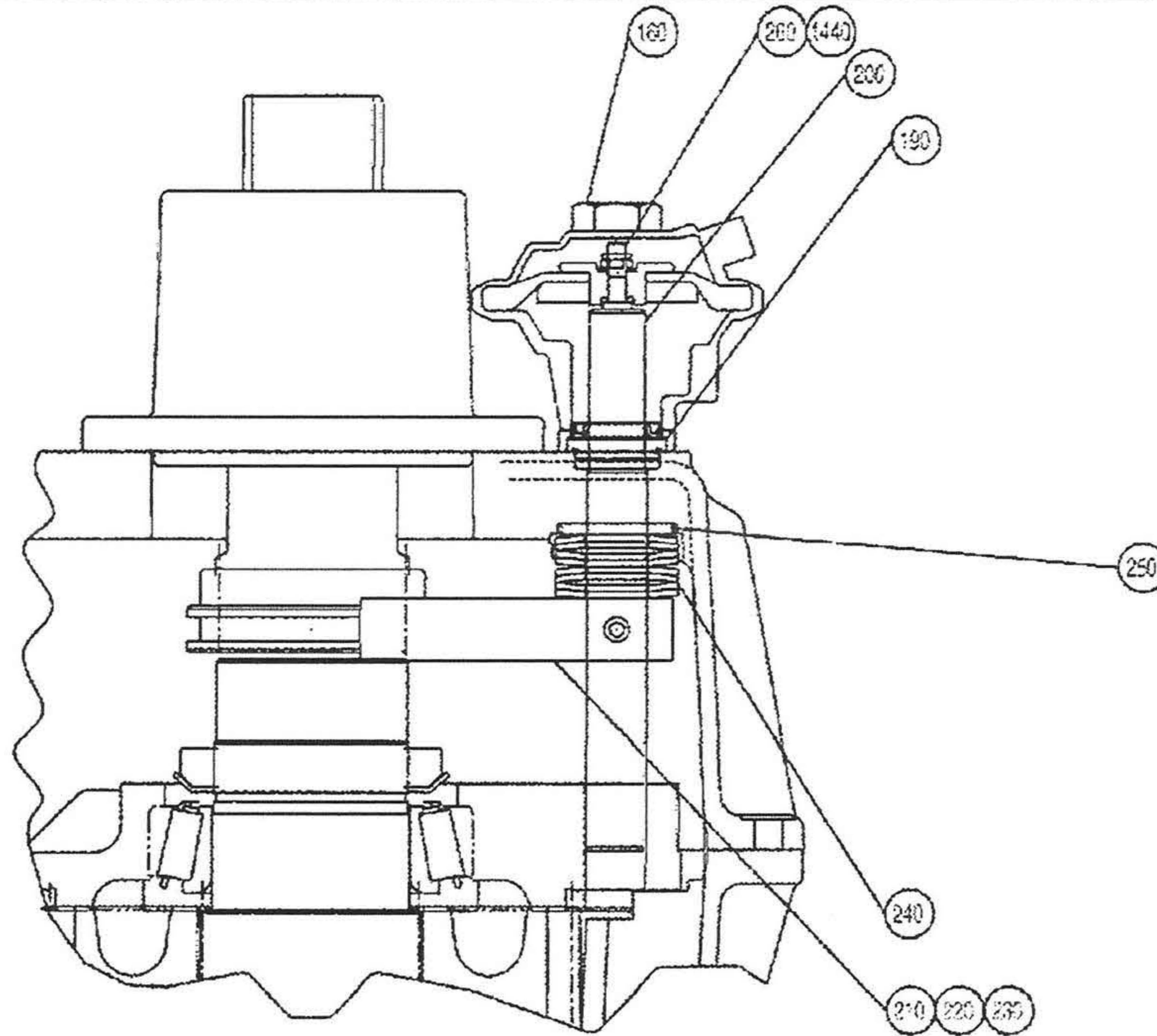
(Figure 1 of 4)



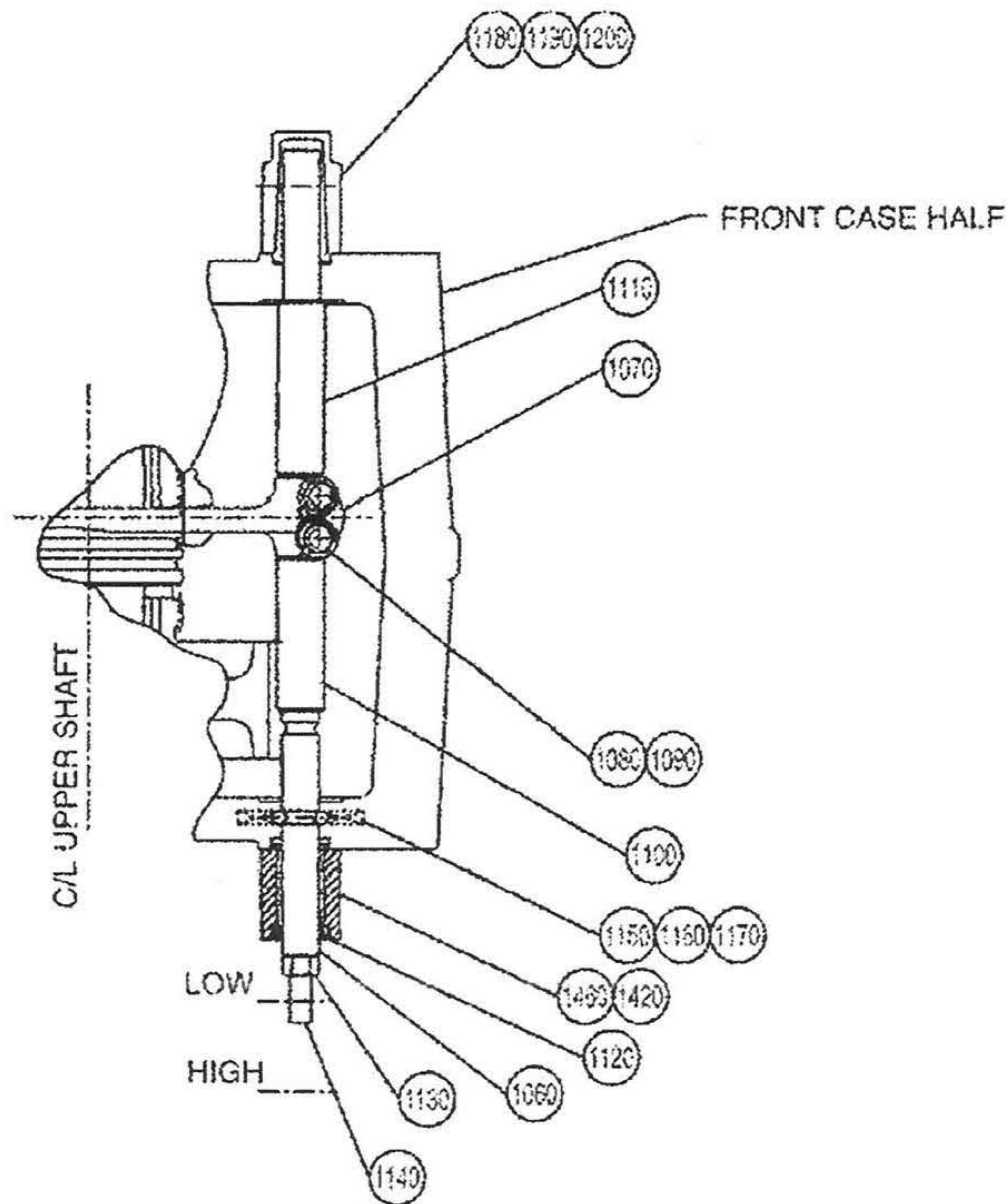
SECTION A-A

(Figure 2 of 4)





SECTION C-C



SECTION B-B

(Figure 4 of 4)



Pro Gear & Transmission, Inc.
 906 W. Gore St
 Orlando FL 32805
 877-776-4600
 407-872-1901
 parts@eprogear.com



Transfer Case, 55 FAD, RAD

ITEM	NOTE	PART #	PART DESCRIPTION	UOM	QTY
		3010067	Transfer Case, 55 FAD, RAD		1
10		1969540	.Housing, Transfer Case Rear	EA	1
20		2004690	.Housing, Transfer Case	EA	1
30		738HX4	.Capscrew, Hex .50-13x1.25	EA	20
40		720HX	.Washer, Flat .50x1.06x.09	EA	20
50		55075AX	.Pin-Dowel	EA	2
60		2128HX	.Fitting, Plug 8NPT ST MAG EX	EA	1
70		350AX	.Fitting, Plug 8NPT ST EXSQ S	EA	3
80		377AX	.Fitting, Plug 12NPT IR EXSQ	EA	2
90		60009AX	.Plate, Instruction	EA	1
100		3225111	.Tack, Metal .188 Head DI	EA	4
120		3002617	.Capscrew, Hex .50-13		6
130		720HX	.Washer, Flat .50x1.06x.09	EA	6
140		1594FX	.Bushing	EA	1
150		55025BX	.Collar, Clutch	EA	1
160		7975GX1	.Air Chamber, Diff.Lock	EA	1
170		3002630	.Capscrew, Hex .38-16		2
180		351AX	.Lockwasher .38x.68	EA	2
190		31425BX	.Ring, Pilot	EA	1
200		1693480	.Rod, Shift Lower	EA	1
210		55042CX	.Declutch Shift, Fork	EA	1
220		5106FX	.Lockscrew .44-20 UNF	EA	1
230		25806AX	.Safety Wire, 1 LB Can	EA	9
240		47736AX	.Disc Spring	EA	8
250		55068BX	.Spacer 1.09IDx2.00OD	EA	1
260		63216AX	.Stuc .31-18 UNCx.31-2	EA	1
270		2004680	.Shaft, Lower	EA	1
280		115406D	.Gear, Helical 54T	EA	1
290		1969510	.Spacer	EA	1
300		1969520	.Spacer	EA	1
310		55030BX	.Spacer	EA	1
320		38GX262	.Cup, Bearing	EA	1
330		38GX254	.Bearing, Cone	EA	1
340		13388FX	.Lockwasher, SPL 3.58x4.28	EA	1
350		13387FX	.Lockwasher	EA	1

Rev Date:
 Rev Level:

3010067

Printed: 10/04/13

Page 5 of 9





Pro Gear & Transmission, Inc.
 906 W. Gore St
 Orlando FL 32805
 877-776-4600
 407-872-1901
 parts@eprogear.com



Transfer Case, 55 FAD, RAD

ITEM	NOTE	PART #	PART DESCRIPTION	UOM	QTY
360		1843640	.Cup, Bearing	EA	1
370		1843650	.Cone, Bearing	EA	1
380		1839010	.Support, Bearing	EA	1
390		3002621	.Capscrew, Hex .50-13		6
400		720HX	.Washer, Flat .50x1.06x.09	EA	6
410		1843660	.Shim .005x7 BLT CIR	EA	3
420		1843580	.Shim .0075x7 BLT CIR	EA	3
430		1843590	.Shim .020x7 BLT CIR	EA	3
440		1839020	.Cap, End Bearing	EA	1
450		3002617	.Capscrew, Hex .50-13		6
460		720HX	.Washer, Flat .50x1.06x.09	EA	6
470		1840580	.Seal, Oil	EA	1
480		1888370	.Retainer, Washer	EA	1
490		2083HX	.Washer, Flat .75x1.50x.13	EA	2
500		60026AX	.Capscrew, Hex .75-10x2.50	EA	1
510		111295D	.Shaft, Center	EA	1
520		55031BX	.Spacer	EA	1
530		115405D	.Gear, Helical 63T	EA	1
540		115404D	.Gear, Helical 40T	EA	1
550		55026BX	.Spacer	EA	2
560		1689860	.Cup, Bearing	EA	1
570		1689850	.Cone, Bearing	EA	2
590		1413020	.Capscrew, Hex .38-16x1.50	EA	2
600		1689860	.Cup, Bearing	EA	1
610		1689980	.Cap, Bearing	EA	1
620		3002617	.Capscrew, Hex .50-13		6
630		720HX	.Washer, Flat .50x1.06x.09	EA	6
640		1715080	.Fitting, Plug 12NPT ST INHEX	EA	1
650		1709070	.Shim .0050 6 3/8 BLT	EA	3
660		1709080	.Shim .0075 6 3/8 BLT	EA	3
670		1709060	.Shim .020 6 3/8 BLT	EA	3
690		738HX1	.Capscrew, Hex .50-13x1.25	EA	6
700		720HX	.Washer, Flat .50x1.06x.09	EA	6
760		1343760	.Shaft, Upper	EA	1
770		1308950	.Collar, Clutch	EA	1

Rev Date:
 Rev Level:

3010067

Printed: 10/04/13
 Page 6 of 9





Pro Gear & Transmission, Inc.
 906 W. Gore St
 Orlando FL 32805
 877-776-4600
 407-872-1901
 parts@eprogear.com



Transfer Case, 55 FAD, RAD

ITEM	NOTE	PART #	PART DESCRIPTION	UOM	QTY
780		55027BX	.Spacer	EA	2
790		115407D	.Gear, Helical 55T	EA	1
800		115403D	.Gear, Helical 32T	EA	1
810		55028BX	.Spacer	EA	2
820		55024AX	.Caged Roller Assy	EA	2
830		55026BX	.Spacer	EA	2
840		55023AX	.Cup, Taper Bearing	EA	2
850		462TA45	.Cone, Tapered	EA	2
860	N1	127419B	.Drive Plate-Pump	EA	1
870		3002617	.Capscrew, Hex .50-13		2
880		60833AX	.Ring Piston, Teflon	EA	1
890		1370220	.Cover Bearing	EA	1
900		3002617	.Capscrew, Hex .50-13		6
910		720HX	.Washer, Flat .50x1.06x.09	EA	6
920		51546AX	.Fitting, Plug 4NPT GV EXSQ	EA	2
930	N2	55085BX	.Shim .005 6 1/8 BLT CI	EA	3
940	N3	55086BX	.Shim .0075 6 1/8 BLT C	EA	3
950	N4	55084BX	.Shim .020 6 1/8 BLT CI	EA	3
960		1312750	.Pump, Lube	EA	1
970		24321FX	.Capscrew, Hex .31-18x4.00	EA	4
980		354AX	.Lockwasher, .31x.59	EA	4
990		34119AX	.Spacer, Trans	EA	1
1000		55019CX	.Cap, End Bearing	EA	1
1010		738HX1	.Capscrew, Hex .50-13x1.25	EA	6
1020		720HX	.Washer, Flat .50x1.06x.09	EA	6
1030		21726FX	.Oil Seal	EA	1
1040		127272A	.Plate, End	EA	1
1050		3002617	.Capscrew, Hex .50-13		2
1070		64209CX	.Fork, Upper Shift	EA	1
1080		335BX2	.Capscrew, Hex .44-20x1.50	EA	2
1090		25806AX	.Safety Wire, 1 LB Can	EA	9
1100		59903AX	.Spacer	EA	1
1110		59902AX	.Spacer	EA	1
1120		55077AX	.Seal, Oil	EA	1
1130		1320HX	.Nut, Jam .50-20	EA	1

Rev Date:
 Rev Level:

3010067

Printed: 10/04/13

Page 7 of 9





Pro Gear & Transmission, Inc.
 906 W. Gore St
 Orlando FL 32805
 877-776-4600
 407-872-1901
 parts@eprogear.com



Transfer Case, 55 FAD, RAD

ITEM	NOTE	PART #	PART DESCRIPTION	UOM	QTY
1140		59899AX	.Rod End	EA	1
1150		52776AX	.Ball .31 Dia.	EA	2
1160		54396AX	.Spring, Coil	EA	2
1170		429AX	.Fitting, Plug 2NPT ST EXSQ	EA	1
1180		1321590	.Cover, Upper Shift	EA	1
1190		3002956	.Capscrew, Hex .31-18		1
1200		354AX	.Washer, Lock .31x.59	EA	2
1210		33288AX	.Fitting, 90 6NPT-6NPT	EA	1
1220		1873GX	.Breather Assy	EA	1
1230		55136AX	.Strainer	EA	1
1240		3828FX	.Fitting, 90 10JIC-8NPT	EA	1
1250		2013270	.Hose Assy #10 2831	EA	1
1270		10258FX	.Fitting, 45 10JIC-8NPT MM ST	EA	1
1280		7689GX	.Fitting, 90 6JIC-8NPT MM ST	EA	1
1290		3013551	.Hose Assy #6 RE 14.3 27	EA	1
1330		1704630	.Retainer, Washer	EA	1
1340		60026AX	.Capscrew, Hex .75-10x2.50	EA	1
1360		11757FX	.Nameplate, Serial #	EA	1
1370		1805HX	.Fitting, Plug 6NPT ST EXSQ	EA	1
1380	N5	46642AX	.Sealant, Loctite 567	EA	
1390		65270AX	.Loctite #242	EA	
1400		25824AX	.Loctite #242	EA	
1410		24758FX	.Adhesive, RTV DOW #732 C	EA	
1420		45244AX	.Sealant-UN (Loctite 271)	EA	
1430		57CX138	.Fitting, Plug 4NPT ST INHEX	EA	1
1440		2718HX	.Nut, Hex, LKNY .31-24	EA	1
1470		3447256	.Bearing, NDL 3.38x3x1.5	EA	2
1480	N6	1843710	.Shaft, Front	EA	1
1490		1691980	.Cap, Bearing	EA	1
1500	N7	1701380	.Bearing Assy	EA	1
1510		1702740	.Seal, Oil	EA	1
1520		11148GX	.Fitting, 45 6JIC-4NPT MM ST	EA	1
1530		1657210	.Pipe Sealant, Loctite #5	EA	

N1 Non-Serviceable

Rev Date:
 Rev Level:

3010067

Printed: 10/04/13

Page 8 of 9





Pro Gear & Transmission, Inc.
906 W. Gore St
Orlando FL 32805
877-776-4600
407-872-1901
parts@eprogear.com



Transfer Case, 55 FAD, RAD

-
- N2 6 Holes / .005 Thick / 7" Outer Dia. / 5.19" Inner Dia.

 - N3 6 Holes / .0075 Thick / 7" Outer Dia. / 5.19" Inner Dia.

 - N4 6 Holes / .020 Thick / 7" Outer Dia. / 5.19" Inner Dia.

 - N5 250ML Tube.

 - N6 Front transfer case shaft.

 - N7 This is a double bearing set (cups and cones) used on the front shaft of the transfer case.

