

**BROUGHT TO YOU BY PRO GEAR &  
TRANSMISSION.**

**FOR PARTS OR SERVICE CALL:**

[877-776-4600](tel:877-776-4600)

[407-872-1901](tel:407-872-1901)



**Roadranger®**

**SPICER®**



**[WWW.PGTTRUCKPARTS.COM](http://WWW.PGTTRUCKPARTS.COM)**

**906 W. GORE ST. ORLANDO, FL 32805**

**[PARTS@EPROGEAR.COM](mailto:PARTS@EPROGEAR.COM)**

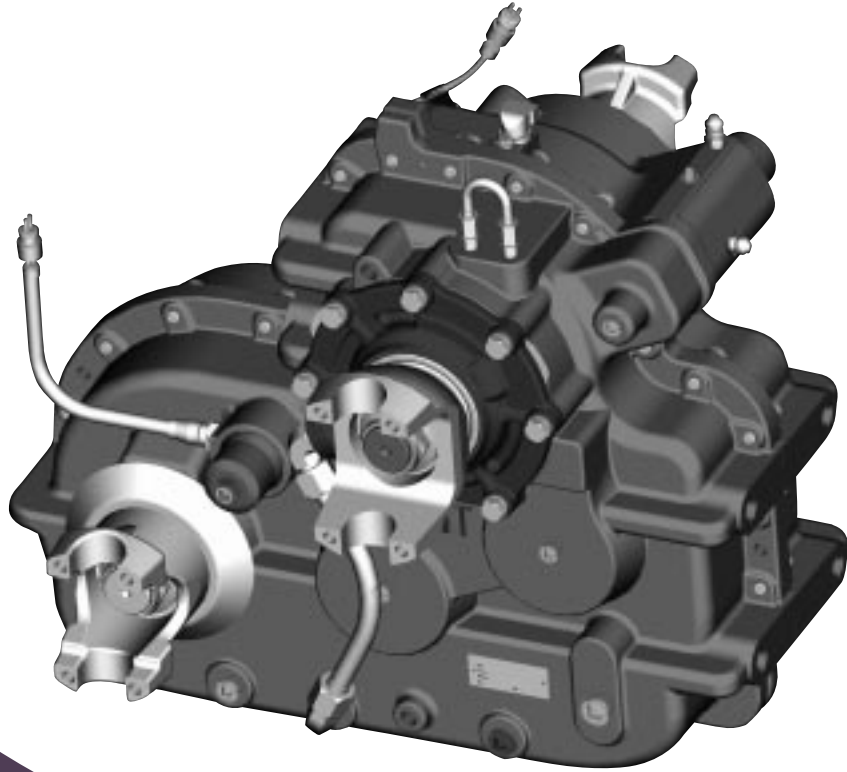
# Meritor® MTC-4213

Two-Speed, Four-Shaft Transfer Case



**MERITOR®**

an ArvinMeritor brand



## Product Summary

The Meritor MTC-4213 two-speed, four-shaft transfer case is designed to meet the increasing demands of today's all-wheel-drive market.

The MTC-4213 is designed specifically for use in 6x6 vehicles with high entry forward-rear axles. When combined with the Meritor MX-120 series of front drive axles and MT-145/160 series of tandem rear drive axles, the MTC-4213 provides optimized driveline positions.

## Standard Features

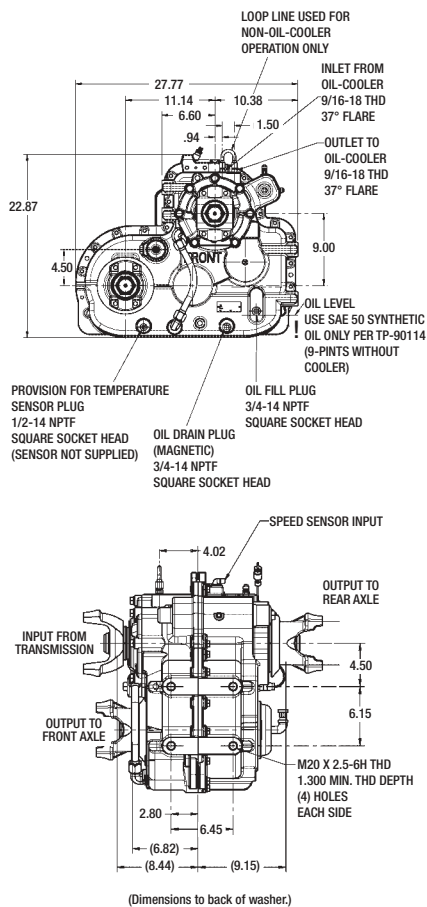
- Internal oil pump featuring seal-ring technology for improved oil flow during extended high-speed runs
- Ground helical gearing in high and low ranges
- Integral front axle declutch; air-actuated
- Three-position range shifting with neutral; air-operated in all three positions
- Unitized shaft seals
- Factory-filled, full synthetic lube
- High temperature o-rings on all shifting pistons
- Various yokes available
- Provision for oil-temperature sensor

- Speed sensor
- Front axle declutch engagement and/or disengagement switches
- Oil-cooler ready

## Typical Applications

- Utility vehicles
- Snow plows
- Block trucks
- Oil drillers





## Features

Optimized output shaft placement and rotation featuring a wide offset, deep-drop front output shaft position, through-drive rear output shaft position, and counter-rotating input and output shafts

Ground helical gearing in both high and low ranges

Advanced lubrication system using a bi-directional forced lube pump with seal ring technology, full synthetic lube, unitized seals, sump magnets and large sump capacity

Integral, air-actuated front axle declutch with optional engagement/disengagement sensors

Air-actuated, three-position-range shifting with neutral

2.375" - 46T yoke splines

Oil-cooler ready

## Benefits

Mates perfectly with the Meritor® MX-120 series of front drive axles and MT-145/160 series of tandem rear drive axles to minimize driveline angles and allow packaging next to most transmission oil pans

Quiet, high-speed operation with increased durability

Maximum lube integrity, no initial lube change, extended oil change intervals, lower operating temperatures and greater overall efficiency

Minimizes transfer case size and weight; increases declutch durability

Easy shifting into all positions

Common yoke splines with most Meritor axles

Internal pump flow can be diverted to an external oil-cooler in order to allow increased input speeds

## Specifications: MTC-4213 Series\*

TORQUE RATING LBS-FT (N•m)	SPEED RATING RPM	DRY WEIGHT LESS YOKES POUNDS (KG)	AVAILABLE RATIOS	INPUT TO OUTPUT DROP INCHES (MM)	INPUT TO OUTPUT OFFSET INCHES (MM)
High Range 13,000 (17,630)	2,850	625 (283.50)	High Range 1:1	Front Output 9.0 (228.6)	Front Output 11.14 Curbside (283.0)
Low range 6,500 (8,810)			Low Range 2.05:1	Rear Output 0.0 (0.0)	Rear Output 0.0 (0.0)

\* All vehicle applications must be approved by ArvinMeritor Engineering. Approved ratings may be higher or lower than indicated depending on vocation and engineering review.

Call ArvinMeritor's Customer Service Center at 800-535-5560 for more information.

\*\* With oil-cooler approved by ArvinMeritor Specialty Products Engineering.

Meritor Heavy Vehicle Systems, LLC  
2135 West Maple Road  
Troy, MI 48084 USA  
800-535-5560  
arvinmeritor.com

Copyright 2004  
ArvinMeritor Inc.

Litho in USA

SP-0205 r 07/04 (47865/11900)

**ArvinMeritor™**