

**BROUGHT TO YOU BY PRO GEAR &
TRANSMISSION.**

FOR PARTS OR SERVICE CALL:

[877-776-4600](tel:877-776-4600)

[407-872-1901](tel:407-872-1901)



Roadranger®

SPICER®



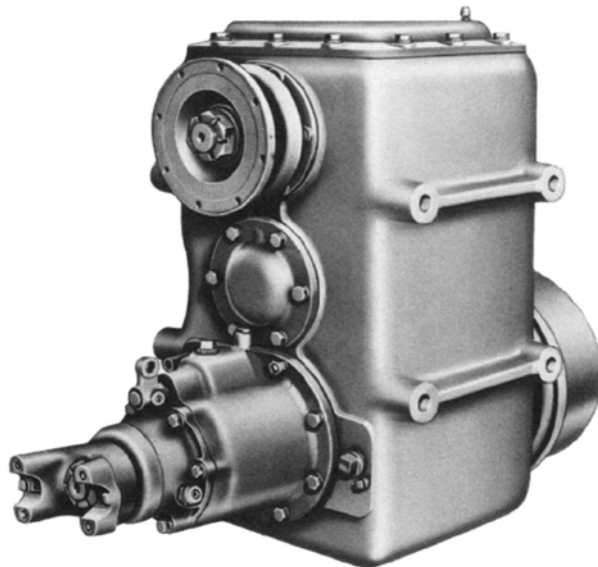
WWW.PGTTRUCKPARTS.COM

906 W. GORE ST. ORLANDO, FL 32805

PARTS@EPROGEAR.COM

T-228 Series Transfer Cases

Catalog PB-90201



Strength • Power • Speed • Agility

MERITOR PARTS. RIGHT FROM THE START.

INTRODUCTION

- This parts book is designed so you can look up part numbers in two different ways.
 1. If you know the model number of the transfer case, for example, T-228-D85, you simply match the item number on the picture with the item number in the parts list. The parts list shows which part number is used on each model.
 2. If you don't know the model number, the description column in the parts list has descriptions of the different part numbers that are used on different models.
- For service parts, contact Meritor Automotive at (888) 725-9355. In Canada, (800) 668-3508.
- All Meritor gears and shafts are marked with the check letter and final digits of the part number, for example, F-5024 or X-2442.
- When you service gears, we recommend you replace all mating gears for the best quality repair.
- Service kits include parts to service different models covered by this book, so the kit may include extra parts you don't need. In addition to kits, individual parts are also available. Kits and parts can be ordered through Meritor's Florence, KY or Brampton, Ontario distribution centers.
- Proper tools and maintenance procedures must be used. For T-228 series transfer cases, use general service instructions from Meritor Field Maintenance Manual 3C. Also see Meritor Field Maintenance Manual No. 1 for proper lubricant and change intervals. Manuals may be obtained by contacting the Meritor Literature Distribution Center at (248) 435-8689.

PTO ASSEMBLY

REAR

INPUT SHAFT

IDLER SHAFT

FRONT

OUTPUT SHAFT

DECLUTCH

T-228-E ONLY

PROPORTIONAL DIFFERENTIAL

(Not Covered in this Manual)

DCM BRAKE

T-228 SERIES TRANSFER CASE

NOTE: Parts shown are not used on all models.

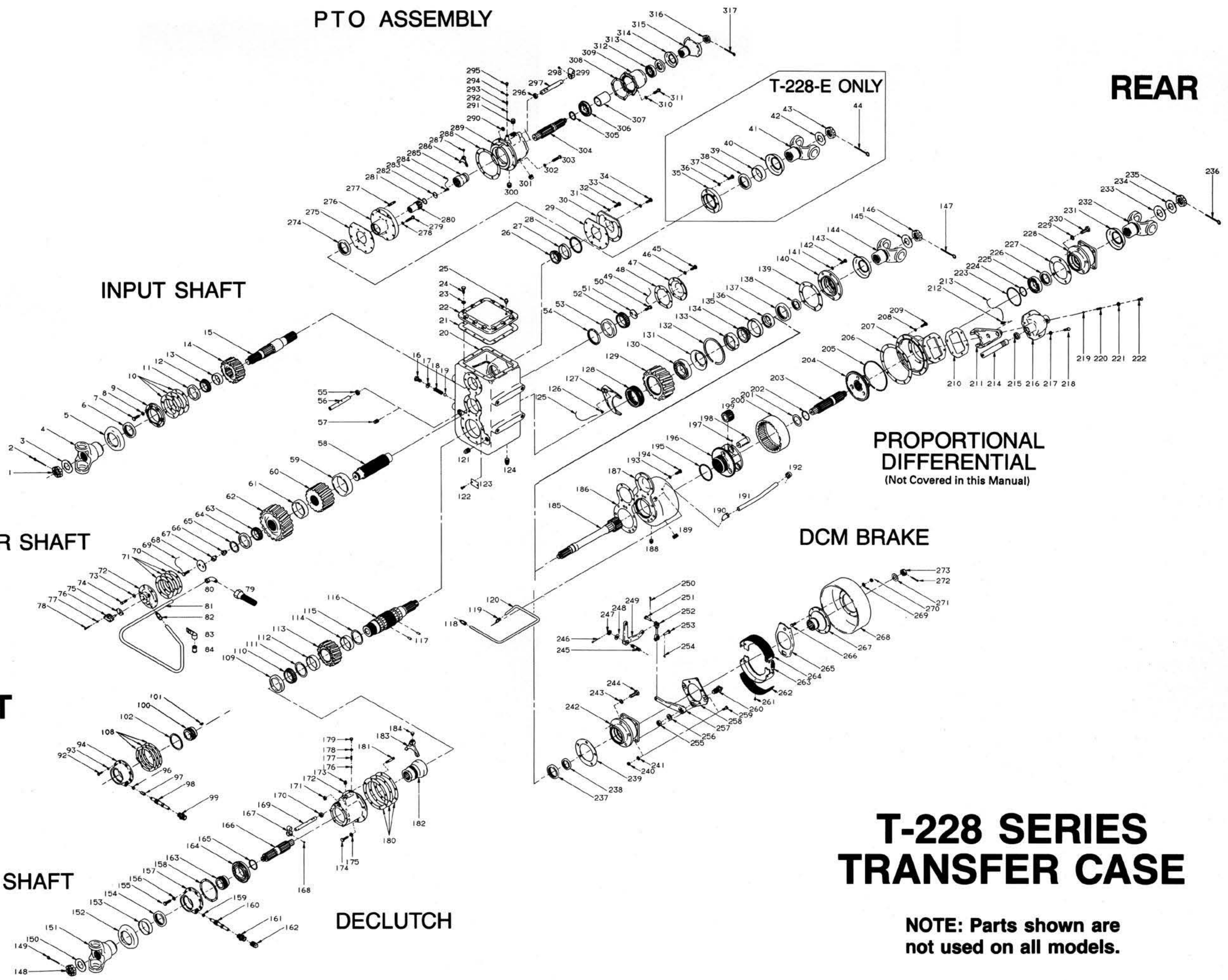


TABLE OF CONTENTS

	Page
T-228 Series Supersessions	2
T-228 Series Options	3
T-228 Series Easy Service Yokes	4
T-228 Series Service Kit Reference	5
T-228 Series Service Kits	
Main Case Bearings/Shims/Spacers.....	6
Main Case Fasteners.....	6
Main Case Miscellaneous Parts.....	7
Declutch Bearings/Shims.....	7
Declutch Fasteners.....	7
Declutch Miscellaneous Parts.....	7
Proportional Differential Bearing/Seals.....	8
Proportional Differential Fasteners.....	8
Proportional Differential Miscellaneous Parts.....	8
Power Take Off Seals/Bearings.....	8
Power Take Off Fasteners.....	9
Power Take Off Miscellaneous Parts.....	9
T-228 Series Transfer Case	
Main Case.....	10
Declutch.....	34
Proportional Differential.....	43
DCM Brake.....	47
Power Take Off.....	49
Numerical Parts Index	52

T-228 SERIES SUPERSESSIONS

MODEL	RELEASE DATE	STATUS	REPLACED BY	REPLACES
T-228-12	Nov-67			
T-228-19	Feb-69			
T-228-36	Nov-86			
T-228-37	Nov-86			T-228-33
T-228-D25	Oct-67	Obsolete	T-228-D77	
T-228-D27	Nov-67			
T-228-D31	Mar-68			
T-228-D38	Jul-69			
T-228-D58	Jan-74			
T-228-D60	May-74	Obsolete	T-228-D82	
T-228-D77	Mar-82	Obsolete	T-228-D95	T-228-D25
T-228-D81	Mar-82			
T-228-D82	Apr-82	Obsolete	T-228-D104	
T-228-D85	Jan-83	Obsolete		
T-228-D88	Sep-84	Obsolete	T-228-D100	
T-228-D89	Sep-84	Obsolete		
T-228-D90	Jan-85			
T-228-D92	Dec-85	Obsolete	T-228-D98	
T-228-D93	Nov-85	Obsolete	T-228-D101	
T-228-D94	Nov-85	Obsolete	T-228-D103	
T-228-D95	Jul-86			
T-228-D97	Jul-86			
T-228-D98	Sep-86	Obsolete	T-228-D109	T-228-D92
T-228-D99	Sep-86			
T-228-D100	Oct-86			
T-228-D101	Oct-86		T-228-D111	T-228-D93
T-228-D102	Jan-87			
T-228-D103	Apr-87			T-228-D94
T-228-D104	Jan-88			
T-228-D106	Sep-88	Obsolete	T-228-F1	
T-228-D107	Jun-89			
T-228-D108	Jan-89			
T-228-D109	Jul-90			T-228-D98
T-228-PD16	Nov-67	Obsolete		
T-228-PD37	Nov-84	Obsolete		
T-228-PD38	Nov-84	Obsolete		
T-228-E	Nov-83			
T-228-E1	Jun-85			
T-228-F	Aug-90			
T-228-F1	Aug-90			
T-228-F2	Jan-91			

T-228 SERIES OPTIONS

MODEL	DECLUTCH	PROPORTIONAL DIFFERENTIAL	DCM BRAKE	POWER TAKE OFF	FLANGE/YOKE			
					FRONT INPUT	REAR INPUT	FRONT OUTPUT	REAR OUTPUT
T-228-12								
T-228-19				X	X	X		X
T-228-36								
T-228-37				X	X	X		X
T-228-D25	X							
T-228-D27	X		12" x 5"					X
T-228-D31	X							
T-228-D38	X				X		X	X
T-228-D58	X		12" x 5"					X
T-228-D60	X							
T-228-D77	X							
T-228-D81	X				X		X	X
T-228-D82	X							
T-228-D85	X			X	X		X	X
T-228-D88	X			X				
T-228-D89	X				X		X	X
T-228-D90	X				X		X	X
T-228-D92	X				X		X	X
T-228-D93	X				X		X	X
T-228-D94	X							
T-228-D95	X							
T-228-D97	X				X		X	X
T-228-D98	X				X		X	X
T-228-D99	X				X		X	X
T-228-D100	X			X				
T-228-D101	X				X		X	X
T-228-D102	X				X		X	X
T-228-D103	X							
T-228-D104	X							
T-228-D106	X			X	X	X	X	X
T-228-D107	X				X		X	X
T-228-D108	X				X		X	X
T-228-D109	X				X		X	X
T-228-PD16		X						
T-228-PD37		X						
T-228-PD38		X		X	X	X	X	X
T-228-E	X					X	X	X
T-228-E1	X				X		X	X
T-228-F	X							
T-228-F1	X			X	X	X	X	X
T-228-F2	X				X		X	X

T-228 SERIES EASY SERVICE YOKES

NOTE: An "A" prefix to a yoke part number indicates that a deflector is included with the yoke.

Different prefixes (A1-, A2-, etc.) indicate different deflectors are installed on the same yoke.

SPLINE SIZE	SERIES	HUB JOINT CENTERLINE TO END HUB (length)	FULL ROUND PART NUMBER	ITEM NUMBER*	EASY SERVICE PART NUMBER
2.00"-10	16	5.00"	-	-	16N-4-1521-1
2.00"-10	16	5.00"	16NYS32-26A	-	A-3260-E-1435
2.00"-10	16	5.60"	-	-	3260-A-1431
2.00"-10	17	5.00"	-	-	3260-Z-1430
2.00"-10	17	5.60"	17N-4-2191	-	17TYS32-10
2.00"-10	17	5.60"	17N-4-2191	-	3260-C-1433
2.00"-10	18	5.80"	3280-P-6490	-	3260-D-1434
2.25"-10	3	3.80"	A1-3280-Q-1837	-	-
2.25"-10	5	3.70"	A3-3280-F-1644	4	-
2.25"-10	5	3.70"	5WCS36-96A1	4	-
2.25"-10	16	5.60"	16N-4-6891X	-	-
2.25"-10	17	6.00"	17N-4-4411X	4	17TYS36-52A
2.25"-10	17	6.00"	3280-R-5452	-	17N-4-1991-1
2.25"-10	18	5.80"	18N-4-2551X	4, 41	A-3260-M-1261
2.25"-10	18	5.80"	3280-R-5452	-	18N-4-1991-1
2.25"-10	72	4.20"	A1-3280-W-1687	-	-
2.25"-10	72	4.20"	72NYS36-54A2	-	-
2.25"-10	82	4.70"	82NYS36-26A1	-	-
2.25"-10	82	4.70"	A1-3280-U-1815	-	-
2.25"-10	92	4.10"	A2-3280-D-3202	-	-
2.25"-10	176	5.80"	176N-4-731X	4	A-3260-R-1266
2.53"-16	17	6.00"	-	-	3260-B-1432
2.53"-16	17	3.25"	17NYS40-37A	144	-
2.53"-16	18	6.00"	18NYS40	-	-
2.53"-16	18	6.00"	18NYS40A	144, 232	-

* Refer to item number for physical description.

T-228 SERIES SERVICE KIT REFERENCE

MODEL	KIT T-228-1	KIT T-228-2	KIT T-228-3	KIT T-228-4	KIT T-228-5	KIT T-228-6	KIT T-228-7	KIT T-228-8	KIT T-228-9	KIT T-228-11	KIT T-228-12	KIT T-228-13
T-228-12	X	X	X									
T-228-19	X	X	X							X	X	X
T-228-36	X	X	X									
T-228-37	X	X	X							X	X	X
T-228-D25	X	X	X	X	X	X						
T-228-D27	X	X	X	X	X	X						
T-228-D31	X	X	X	X	X	X						
T-228-D38	X	X	X	X	X	X						
T-228-D58	X	X	X	X	X	X						
T-228-D60	X	X	X	X	X	X						
T-228-D77	X	X	X	X	X	X						
T-228-D81	X	X	X	X	X	X						
T-228-D82	X	X	X	X	X	X						
T-228-D85	X	X	X	X	X	X				X	X	X
T-228-D88	X	X	X	X	X	X				X	X	X
T-228-D89	X	X	X	X	X	X						
T-228-D90	X	X	X	X	X	X						
T-228-D92	X	X	X	X	X	X						
T-228-D93	X	X	X	X	X	X						
T-228-D94	X	X	X	X	X	X						
T-228-D95	X	X	X	X	X	X						
T-228-D97	X	X	X	X	X	X						
T-228-D98	X	X	X	X	X	X						
T-228-D99	X	X	X	X	X	X						
T-228-D100	X	X	X	X	X	X				X	X	X
T-228-D101	X	X	X	X	X	X						
T-228-D102	X	X	X	X	X	X						
T-228-D103	X	X	X	X	X	X						
T-228-D104	X	X	X	X	X	X						
T-228-D106	X	X	X	X	X	X				X	X	X
T-228-D107	X	X	X	X	X	X						
T-228-D108	X	X	X	X	X	X						
T-228-D109	X	X	X	X	X	X						
T-228-PD16	X	X	X					X	X	X		
T-228-PD37	X	X	X					X	X	X		
T-228-PD38	X	X	X					X	X	X	X	X
T-228-E	X	X	X	X	X	X						
T-228-E1	X	X	X	X	X	X						
T-228-F	X	X	X	X	X	X						
T-228-F1	X	X	X	X	X	X				X	X	X
T-228-F2	X	X	X	X	X	X						

T-228 SERIES SERVICE KITS

KIT T-228-1

MAIN CASE BEARINGS/SHIMS/SPACERS

PART NAME	PART NUMBER	QTY.	ITEM NUMBER ON EXPLODED VIEW
Oil Seal-input shaft front cap	A-1805-F-162	1	6
Oil Seal-transfer case shift shaft	A-1805-S-279	1	55
Oil Seal-output shaft rear bearing cap inner	A-1805-X-544	1	137
Oil Seal-output shaft rear bearing cap outer	A-1205-W-2415	1	138
Shim-front input (0.003")	2803-F-1956	2	10
Shim-front input (0.005")	2803-G-1957	4	10
Shim-front input (0.010")	2803-H-1958	4	10
Shim-idler shaft front bearing (0.003")	2803-C-1953	2	71
Shim-idler shaft front bearing (0.005")	2803-D-1954	3	71
Shim-idler shaft front bearing (0.010")	2803-E-1955	3	71
Cup-input shaft front bearing, idler shaft rear bearing	HM-212011	2	11, 53
Cone-input shaft front bearing	HM-212044	1	12
Cup-input shaft rear bearing	28622	1	27
Cone-input shaft rear bearing	28682	1	26
Cone-idler shaft rear bearing	HM-212046	1	52
Cup-idler shaft front bearing	5535	1	64
Cone-idler shaft front bearing	5584	1	63
Cup-output shaft front and rear bearing	592-A	2	109, 135
Cone-output shaft front bearing	594	1	110
Cone-output shaft rear bearing	590-A	1	134
Spacer-idler shaft gear	1844-E-577	1	61
Spacer-output shaft rear bearing	1844-Q-745	1	133
Spacer-output shaft rear bearing outer	1844-R-720	1	136
Bearing-output shaft rear	1828-U-307	1	130

KIT T-228-2

MAIN CASE FASTENERS

PART NAME	PART NUMBER	QTY.	ITEM NUMBER ON EXPLODED VIEW
Capscrew-input shaft front nut, idler shaft front and rear cap	S-2812-2	18	7, 45, 74
Lockwasher-input shaft front and rear cap, transfer case cover, idler shaft front and rear cap	WA-18	36	8, 23, 31, 46, 73
Capscrew-transfer case cover	S-2813-2	12	24
Lockwasher-input shaft rear cover	WA-17	2	33
Capscrew-input shaft rear cover	S-2710-2	2	34
Capscrew-input shaft rear cover	S-2810-1	6	32
Capscrew-idler shaft rear bearing	S-1910D-2	2	50
Washer-idler shaft rear bearing	1829-D-446	1	51
Screw-shift shaft lock	26-X-96	1	126
Lockwasher-output shaft rear cap	WA-110	7	141
Capscrew-output shaft rear cap	S-21014-1	7	142

T-228 SERIES SERVICE KITS

KIT T-228-3

MAIN CASE MISCELLANEOUS PARTS

PART NAME	PART NUMBER	QTY.	ITEM NUMBER ON EXPLODED VIEW
Gasket-shift shaft lockscrew	2208-V-204	1	17
Gasket-transfer case cover	2808-T-1008	1	21
Snap Ring-input shaft rear bearing	1854-S-305	1	28
Gasket-input shaft rear bearing cap	2808-S-1085	1	29
Gasket-idler shaft rear bearing	2808-S-1007	1	48
Washer-idler shaft rear bearing	1829-N-820	1	54
Snap Ring-idler shaft front bearing retainer	1854-U-281	1	65
Gasket-oil pump to case	2297-J-4352	1	75
Snap Ring-output shaft inner bearing	1854-R-356	1	132
Gasket-output shaft rear bearing	2808-R-1006	1	139
Cotter-front input shaft nut, rear output shaft nut	K-2620	2	2, 147

KIT T-228-4

DECLUTCH BEARINGS/SHIMS

PART NAME	PART NUMBER	QTY.	ITEM NUMBER ON EXPLODED VIEW
Oil Seal-declutch shaft	A-1205-U-1529	1	154
Bearing-front declutch shaft	1828-K-219	1	164
Oil Seal-declutch shift shaft	A-1205-N-1132	1	170
Shim-declutch shaft front bearing cap (0.003")	2803-M-1963	2	180
Shim-declutch shaft front bearing cap (0.005")	2803-N-1964	4	180
Shim-declutch shaft front bearing cap (0.010")	2803-P-1966	5	180

KIT T-228-5

DECLUTCH FASTENERS

PART NAME	PART NUMBER	QTY.	ITEM NUMBER ON EXPLODED VIEW
Capscrew-declutch carrier cap	S-2712-2	5	155
	S-2718-1	1	
Lockwasher-declutch carrier cap	WA-17	6	156
Screw-declutch shift lug lock, declutch shift fork lock	26-X-52	2	168, 180
Capscrew-declutch carrier to case	S-2812-2	6	174
Lockwasher-declutch carrier to case	WA-18	8	175
Nut-declutch carrier to case stud	N-18-1	2	171
Stud-declutch carrier to case	4-X-76	2	181

KIT T-228-6

DECLUTCH MISCELLANEOUS PARTS

PART NAME	PART NUMBER	QTY.	ITEM NUMBER ON EXPLODED VIEW
Gasket-declutch shaft carrier cap	2808-P-1004	1	158
Snap Ring-declutch shaft bearing	1854-L-246	1	165
Ball-declutch shift shaft lock	1228-K-37	1	176
Spring-declutch shift shaft lock	2858-S-45	1	177
Washer-declutch shift lockscrew	1229-F-422	1	178
Screw-declutch shift lock spring	S-174A-1	1	179

T-228 SERIES SERVICE KITS

KIT T-228-7

PROPORTIONAL DIFFERENTIAL BEARING/SEALS

PART NAME	PART NUMBER	QTY.	ITEM NUMBER ON EXPLODED VIEW
Bearing-differential shaft rear	1228-P-250	1	225
Oil Seal-differential lock shift shaft	A-1205-P-1758	1	215
Oil Seal-differential shaft rear	A-1805-M-481	1	226

KIT T-228-8

PROPORTIONAL DIFFERENTIAL FASTENERS

PART NAME	PART NUMBER	QTY.	ITEM NUMBER ON EXPLODED VIEW
Lockwasher-differential housing to case, differential shaft rear bearing cage	WA-110	14	193, 229
Capscrew-differential housing to case, differential shaft rear bearing cage	S-21014-1	14	194, 230
Setscrew-differential planetary pinion shaft	26-X-236	3	197
Capscrew-differential lock shift cover, differential housing cover	S-2812-2	13	209, 218
Lockwasher-differential lock shift cover, differential housing cover	WA-18	13	208, 217

KIT T-228-9

PROPORTIONAL DIFFERENTIAL MISC. PARTS

PART NAME	PART NUMBER	QTY.	ITEM NUMBER ON EXPLODED VIEW
Gasket-differential housing to case	2808-U-1009	1	186
Snap Ring-rear differential shaft inner	1854-U-281	2	202
Washer-rear differential shaft	1829-Q-823	1	201
Gasket-differential housing cover	2808-V-1010	1	206
Gasket-differential lock shift lockscrew	2208-V-204	1	221
Gasket-differential lock shift cover	2808-Q-1005	1	210
Gasket-differential shaft rear bearing cage	2808-R-1006	1	227
Cotter-rear differential shaft nut	K-2620	1	236

KIT T-228-11

POWER TAKE OFF SEALS/BEARINGS

PART NAME	PART NUMBER	QTY.	ITEM NUMBER ON EXPLODED VIEW
Oil Seal-P.T.O. adapter to transfer case	A-1205-K-635	1	274
Oil Seal-P.T.O. shift shaft	A-1205-N-1132	1	296
Ball Bearing-P.T.O. shaft inner	1828-K-219	1	306
Bearing-P.T.O. shaft outer	1228-V-204	1	312
Oil Seal-P.T.O. shaft outer	A-1205-U-1529	1	313

T-228 SERIES SERVICE KITS

KIT T-228-12

POWER TAKE OFF FASTENERS

PART NAME	PART NUMBER	QTY.	ITEM NUMBER ON EXPLODED VIEW
Stud-P.T.O. carrier to case	4-X-76	2	277
Lockwasher-P.T.O. adapter capscrew, P.T.O. bearing cage capscrew	WA-17	8	278, 310
Capscrew-P.T.O. adapter to transfer case	S-2710-1	2	279
Capscrew-P.T.O. drive clutch	S-2712D-2	2	283
Lockwasher-P.T.O. carrier to transfer case	WA-18	6	302
Capscrew-P.T.O. carrier to transfer case	S-2822-1	6	303
Capscrew-P.T.O. shaft bearing cage	S-2712-2	6	311

KIT T-228-13

POWER TAKE OFF MISCELLANEOUS PARTS

PART NAME	PART NUMBER	QTY.	ITEM NUMBER ON EXPLODED VIEW
Snap Ring-P.T.O. drive clutch	1854-S-331	1	281
Washer-P.T.O. drive clutch retainer	1829-A-625	1	282
Gasket-P.T.O. carrier to adapter	2808-R-1084	1	288
Snap Ring-P.T.O. shaft inner bearing	1854-L-246	1	305
Gasket-P.T.O. shaft bearing cage	2808-P-1004	1	308
Cotter-P.T.O. shaft	K-2416	1	317

T-228 SERIES MAIN CASE

ITEM	PART NAME	MODEL	QTY	PART NUMBER	DESCRIPTION
1	Nut-input shaft front	D109, F, F1 F2	1	1227-D-940	1.75"-12, 0.71" high, 2.21" across flats, grade 8.
		All others	1	14-X-58	1.5"-12, 0.75" high, 6 slots, 2.38" across flats, grade 8.
2	Cotter-front input shaft nut	12, 19, 36, 37, D25, D27, D31, D38, D58, D60, D77, D81, D82, D85, D88, D89, D90, D92, D93, D94, D95, D97, D98, D99, D100, D101, D102, D103, D104, D106, D107, D108, PD16, PD37, PD38, E, E1	1	K-2620	0.19" diameter, 2.5" long.
3	Washer-input shaft nut	D109, F, F1, F2	1	1229-N-1730	3" O.D., 1.78" I.D., 0.19" thick.
		All others	1	1829-U-489	2.88" O.D., 1.53" I.D., 0.25" thick.
4	Flange/Yoke-front input shaft	19, 37, D38, D90	1	A3-3280-F-1644	5WCS flange. 3.81" end hub to flange mounting face, 2.25"-10T spline, 8 holes 0.38" dia. on 7.25" bolt circle diameter, includes item 5 (DEFR50-2). Part is no longer available.
		D81, D102	1	5WCS36-96A1	5WCS flange. 3.75" end hub to flange mounting face, 2.25"-10T spline, 12 holes 0.44" diameter on 7.25" bolt circle diameter, includes item 5 (DEFR50-2).
		D85, D89, D92, D97, D98, D107, PD38, E1	1	18N-4-2551X	18N yoke, 5.85" end hub to center cross assembly, 2.25"-10T spline, includes item 5 (DEFR50-2).
		D93	1	17NYS36A1	17N yoke, 6.06" end hub to center cross assembly, 2.25"-10T spline, includes deflector DEFR50-5 attached.
		D99, D101, D106	1	17N-4-4411X	Same as 17NYS36A1 except includes item 5 (DEFR50-2).
		D109	1	18NYS38-8A3	18N yoke, 5.69" end hub to center cross assembly, 2.38"-46T spline, includes item 5 (DEFR54-9).
		D108	1	176N-4-731X	176N yoke, 5.84" end hub to center cross assembly, 2.25"-10T spline, includes item 5 (DEFR50-2).
		F1	1	17NYS38-31A2	17N yoke, 5.94" end hub to center cross assembly, 2.38"-46T spline, includes item 5 (DEFR54-9).
		F2	1	17NYS38-69A	17N yoke, 6.06" end hub to center cross assembly, 2.38"-46T spline, includes item 5 (DEFR50-2).

For parts that are "No Longer Available", contact Information Services, Florence, KY for assistance (1-888-725-9355).

T-228 SERIES MAIN CASE

ITEM	PART NAME	MODEL	QTY	PART NUMBER	DESCRIPTION
5	Deflector-front input shaft	19, 37, D38, D81, D85, D89, D90, D92, D93, D97, D98, D99, D101, D102, D106, D107, D108, PD38, E1, F2	1	DEFR50-2	7" O.D., 3.13" I.D., 0.81" long, 0.09" wide.
		D109, F1	1	DEFR54-9	5.54" O.D., 3.38" I.D., 0.56" wide.
6	Oil Seal-input shaft front cap	D109, F, F1, F2	1	A-1205-W-2415	4.25" O.D., 3.25" I.D., 0.47" wide, single lip with spring and dirt lip.
		All others	1	A-1805-F-162	4.25" O.D., 3" I.D., 0.45" wide, single lip with spring and dirt lip.
7	Capscrew-input shaft front nut	All	6	S-2812-2	0.5"-14, 1.5" long, 0.74" across flats, grade 8.
8	Lockwasher-input shaft front cap	All	6	WA-18	0.86" O.D., 0.52" I.D., 0.13" thick.
9	Cap-input shaft front bearing	D109, F, F1, F2	1	A1-3866-M-871	Same as A-3866-M-871 except includes item 6 (A-1535).
		All others	1	A-3866-M-871	3866-M-1282 casting, 7.13" O.D., 4" I.D., 1.07" thick, 6 holes 0.53" dia., equal spaced on 6" bolt circle dia., includes item 6 (F-162).
10	Shim-front input	All	2	2803-F-1956	0.003" thick, 7.13" O.D., 4.88" I.D., 6 holes 0.53" dia. equal spaced on 6" bolt circle diameter, 1 notch 0.63" wide on I.D., use as required.
			4	2803-G-1957	Same as F-1956 except 0.005" thick, use as required.
			4	2803-H-1958	Same as F-1956 except 0.010" thick, use as required.
11	Cup-input shaft front bearing	All	1	HM-212011	4.81" O.D.
12	Cone-input shaft front bearing	All	1	HM-212044	2.38" bore.
13	Spacer-input shaft front bearing	E	1	1244-L-636	3" O.D., 2.23" I.D., 3" long.
14	Gear-front input	All	1	3892-T-5324	3892-N-5318 forging, 33T, L.H., helical 7.61" O.D., 16T internal spline.
15	Shaft-input	D109, F, F1, F2	1	3297-Y-1169	18.4" long, 3 splines, 1 spline 2.35"-46T, 2.72" long, 1 spline 2.79"-16T, 3.34" long, 1 spline 2.23"-10T, 3.06" long, 1 end has 2 holes 0.44"-14 on 1.13" bolt circle diameter.
		E	1	3880-R-928	21.03" long, 3 splines, 2 splines 2.23"-10T, 2.91" long, 1 spline 2.79"-16T, 3.34" long, both ends have 1.5"-12 thread, 0.22" diameter hole in thread.
		All others	1	3880-G-917	21.03" long, 3 splines, 2 splines 2.23"-10T, 2.91" long, 1 spline 2.79"-16T, 3.34" long, 1 end 1.5"-12 thread, 0.22" dia. hole in thread, other end has 2 holes 0.44"-14 on 1.13" bolt circle diameter.

For parts that are "No Longer Available", contact Information Services, Florence, KY for assistance (1-888-725-9355).

T-228 SERIES MAIN CASE

ITEM	PART NAME	MODEL	QTY	PART NUMBER	DESCRIPTION
16	Screw-transfer shift lock spring	All	1	S-188-2	0.5"-20, 1" long, 0.74" across flats, grade 8.
17	Gasket-shift shaft lockscrew	All	1	2208-V-204	0.81" O.D., 0.51" I.D., 0.03" thick.
18	Spring-transfer case shift lock	12, 19, 36, 37, D25, D27, D31, D38, D58, D60, D77, D81, D82, D85, D88, D89, D90, D92, D93, D94, D95, D97, D98, D99, D100, D101, D102, D103, D104, D106, D107, D108, D109, PD16, PD37 PD38, F, F1, F2	1	2858-L-194	1.67" long, 0.44" thick, 14 coils.
19	Ball-transfer shift shaft lock	12, 19, 36, 37, D25, D27, D31, D38, D58, D60, D77, D81, D82, D85, D88, D89, D90, D92, D93, D94, D95, D97, D98, D99, D100, D101, D102, D103, D104, D106, D107, D108, D109, PD16, PD37 PD38, F, F1, F2	1	1898-E-57	0.44" diameter ball.
20	Case-transfer	36, 37, D95, D97, D98, D99, D100, D101, D102, D103, D104, D106, D107, D108, D109, F, F1, F2	1	3290-R-1006	Same as 3875-V-646 except add 1 hole 0.75"-14 N.P.S.F. on side wall 2.19" from output gear cage face 4.63" below output gear centerline, no extra hole on rear output gear case boss.
		E, E1	1	3875-V-646	5875-D-550 casting, front output has 7 holes 0.63"-11 on 7.75" bolt circle diameter and 1 hole 0.66" diameter on same 7.75" bolt circle diameter, no holes drilled on case side wall below output gear centerline, rear output has 8 holes 0.5"-13 on 8.63" bolt circle dia.
		PD16, PD37, PD38	1	3875-K-817	Same as 3875-L-818 except add 1 hole 0.5" diameter 3.75" below center of rear output gear bearing cage and 1 hole 1"-11.5 N.P.S.F., one output gear cage boss 5.88" over front 2.56" down from gear output center.
(Continued)					

For parts that are "No Longer Available", contact Information Services, Florence, KY for assistance (1-888-725-9355).

T-228 SERIES MAIN CASE

ITEM	PART NAME	MODEL	QTY	PART NUMBER	DESCRIPTION
20	Case-transfer (Continued)	All others	1	3875-L-818	Same as 3875-V-646 except add 1 hole 0.25"-18 on case wall 2.19" from output gear cage mounting face and 4.63" below output gear centerline, 0.5"-13 on 8.63" bolt circle diameter. No extra hole on rear output gear cage bolt circle diameter.
21	Gasket-transfer case cover	All	1	2808-T-1008	13.88" long, 12.88" wide, 0.02" thick with 12 holes 0.53" diameter.
22	Cover-transfer case	All	1	3855-M-403	4855-H-294 casting, 13.88" long, 12.5" wide, 0.63" thick, 12 holes 0.53" diameter, 1 hole 0.38"-18.
23	Lockwasher-transfer case cover	All	12	WA-18	0.86" O.D., 0.52" I.D., 0.13" thick.
24	Capscrew-transfer case cover	D60, D82, D85, D104, E, E1	12	S-2812-2	0.5"-14, 1.5" long, 0.74" across flats, grade 8.
		All others	12	S-2813-2	0.5"-13, 1.63" long, 0.74" across flats, grade 8.
25	Breather-transfer case cover	All	1	A-1199-P-1394	0.38" pipe thread, 1.5" long, 0.75" across flats.
26	Cone-input shaft rear bearing	All	1	28682	2.25" bore.
27	Cup-input shaft rear bearing	All	1	28622	3.84" O.D.
28	Snap Ring-input shaft rear bearing	All	1	1854-S-305	Fits 3.97" dia. groove. 0.12" thick, 0.28" wide, no eyes.
29	Gasket-input shaft rear bearing cap	All	1	2808-S-1085	9.63" O.D., 4.06" I.D., 0.02" thick, flat on O.D., 6 holes 0.53" diameter and 4 holes 0.47" diameter on 4.88" bolt circle diameter.
30	Cap-input shaft rear bearing	12, 36, D25, D27, D31, D38, D58, D60, D77, D81, D82, D89, D90, D92, D93, D94, D95, D97, D98, D99, D101, D102, D103, D104, D107, D108, D109, PD16, PD37, E1, F, F2	1	3866-T-1112	9.63" O.D., 3.0" I.D., 2.13" high, 6 holes 0.53" diameter on 8.63" bolt circle diameter, flat and notch on O.D., 2 holes 0.47" diameter drilled 60 degrees apart on 2.44" radius casting center.
31	Lockwasher-input shaft rear cap	12, 36, D25, D27, D31, D38, D58, D60, D77, D81, D82, D89, D90, D92, D93, D94, D95, D97, D98, D99, D101, D102, D103, D104, D107, D108, D109, PD16, PD37, F, F2	6	WA-18	0.86" O.D., 0.52" I.D., 0.13" thick.
		E1	6	WA-17	0.77" O.D., 0.46" I.D., 0.11" thick.

For parts that are "No Longer Available", contact Information Services, Florence, KY for assistance (1-888-725-9355).

T-228 SERIES MAIN CASE

ITEM	PART NAME	MODEL	QTY	PART NUMBER	DESCRIPTION
32	Capscrew-input shaft rear cover	12, 36, D25, D27, D31, D38, D58, D60, D77, D81, D82, D89, D90, D92, D93, D94, D95, D97, D98, D99, D101, D102, D103, D104, D107, D108, D109, PD16, PD37, E1, F, F2	6	S-2810-1	0.5"-13, 1.25" long, 0.74" across flats, grade 8.
		E	6	S-284-1	0.5"-13, 0.5" long, 0.75" across flats, grade 8.
33	Lockwasher-input shaft rear cover	12, 19, 36, 37, D25, D27, D31, D38, D58, D60, D77, D81, D82, D85, D88, D89, D90, D92, D93, D94, D95, D97, D98, D99, D100, D101, D102, D103, D104, D106, D107, D108, D109, PD16, PD37, PD38, E1, F, F1, F2	2	WA-17	0.77" O.D., 0.46" I.D., 0.11" thick.
34	Capscrew-input shaft rear cover	12, 19, 36, 37, D25, D27, D31, D38, D58, D60, D77, D81, D82, D85, D88, D89, D90, D92, D93, D94, D95, D97, D98, D99, D100, D101, D102, D103, D104, D106, D107, D108, D109, PD16, PD37, PD38, E1, F, F1, F2	2	S-2710-2	0.44"-14, 1.25" long, 0.62" across flats, grade 8.
35	Cap-input shaft rear bearing	E	1	A1-3866-M-949	3866-L-948 casting, 5.75" O.D., 3.5" I.D., 1.13" thick, 6 holes 0.47" diameter on 4.88" bolt circle dia., includes item 38. Part no longer available.
36	Lockwasher-input shaft rear cap	E	6	WA-17	0.77" O.D., 0.46" I.D., 0.11" thick.
37	Capscrew-input shaft rear cap	E	6	S-2714-2	0.44"-14, 1.75" long, 0.62" across flats, grade 8.

For parts that are "No Longer Available", contact Information Services, Florence, KY for assistance (1-888-725-9355).

T-228 SERIES MAIN CASE

ITEM	PART NAME	MODEL	QTY	PART NUMBER	DESCRIPTION
38	Oil Seal-rear input shaft	E	1	A-1805-M-481	4" O.D., 3.25" shaft diameter, 0.47" wide, single lip with spring.
39	Spacer-rear input shaft bearing	E	1	1844-U-645	2.63" O.D., 2.25" I.D., 2.94" long.
40	Deflector-rear input shaft	E	1	DEFR50-2	7" O.D., 3.13" I.D., 0.81" long, 0.09" wide, included in item 41.
41	Yoke-rear input shaft	E	1	18N-4-2551X	18N yoke, 5.85" end hub to center cross assembly, 2.25"-10T spline, includes item 40.
42	Washer-rear input shaft nut	E	1	1829-U-489	2.88" O.D., 1.53" I.D., 0.25" thick.
43	Nut-rear input shaft	E	1	14-X-58	1.05"-12, 0.75" high, 6 slots, 2.38" across flats, grade 8.
44	Cotter-rear input shaft nut	E	1	K-2620	0.19" diameter, 2.5" long.
45	Capscrew-idler shaft rear cap	12, 19, 36, 37, D25, D27, D31, D38, D58, D60, D77, D81, D82, D85, D88, D89, D90, D92, D93, D94, D95, D97, D98, D99, D100, D101, D102, D103, D104, D106, D107, D108, D109, PD16, PD37, PD38, E, E1, F, F1, F2	6	S-2812-2	0.5"- 14, 1.5" long, 0.74" across flats, grade 8.
46	Lockwasher-idler shaft rear cap	12, 19, 36, 37, D25, D27, D31, D38, D58, D60, D77, D81, D82, D85, D88, D89, D90, D92, D93, D94, D95, D97, D98, D99, D100, D101, D102, D103, D104, D106, D107, D108, D109, PD16, PD37, PD38, E, E1, F, F1, F2	6	WA-18	0.86" O.D., 0.52" I.D., 0.13" thick.
47	Cap-idler shaft rear bearing	12, 19, 36, 37, D25, D27, D31, D38, D58, D60, D77, D81, D82, D85, D88, D89, D90, D92, D93, D94, D95, D97, D98, D99, D100, D101, D102, D103, D104, D106, D107, D108, D109, E, E1, F, F1, F2	1	3866-N-872	3866-J-1284 casting, 7" O.D., 4.25" I.D., 1.19" wide, 6 holes 1.19" wide, 6 holes 0.53" diameter on 6 bolt circle diameter, flat on O.D., 1 notch 0.63" wide on I.D.

For parts that are "No Longer Available", contact Information Services, Florence, KY for assistance (1-888-725-9355).

T-228 SERIES MAIN CASE

ITEM	PART NAME	MODEL	QTY	PART NUMBER	DESCRIPTION
48	Gasket-idler shaft rear bearing	12, 19, 36, 37, D25, D27, D31, D38, D58, D60, D77, D81, D82, D85, D88, D89, D90, D92, D93, D94, D95, D97, D98, D99, D100, D101, D102, D103, D104, D106, D107, D108, D109, E, E1, F, F1, F2	1	2808-S-1007	7" O.D., 5" I.D., 0.02" thick, 6 holes 0.53" diameter equal spaced on 6" bolt circle diameter, flat on O.D., 1 notch 0.63" wide on I.D.
49	Lockwire-idler shaft rear bearing retainer	All	1	LW-166	16 gage, 6" long.
50	Capscrew-idler shaft rear bearing retainer	All	2	S-1910D-2	0.56"-18, 1.25" long, 1 hole drilled head, 0.8" across flats, grade 8.
51	Washer-idler shaft rear bearing retainer	All	1	1829-D-446	3" O.D., 0.38" thick with 2 holes 0.53" dia. on 1.38" bolt circle dia.
52	Cone-idler shaft rear bearing	All	1	HM-212046	2.5" bore.
53	Cup-idler shaft rear bearing	All	1	HM-212011	4.81" O.D.
54	Washer-idler shaft rear bearing	All	1	1829-N-820	4" O.D., 2.53" I.D., 0.28" thick.
55	Oil Seal-transfer case shift shaft	12, 19, 36, 37, D25, D27, D31, D38, D58, D60, D77, D81, D82, D85, D88, D89, D90, D92, D93, D94, D95, D97, D98, D99, D100, D101, D102, D103, D104, D106, D107, D108, D109, PD16, PD37, PD38, F, F1, F2	1	A-1805-S-279	1.5" O.D., 0.82" I.D., free lip, 0.34" thick, single lip with spring.
56	Shaft-transfer case shift	12, 19, 36, 37, D25, D27, D31, D38, D58, D60, D77, D81, D82, D85, D88, D89, D90, D92, D93, D94, D95, D97, D98, D99, D100, D101, D102, D103, D104, D106, D107, D108, D109, PD16, PD37, PD38, F, F1, F2	1	2843-C-471	7.5" long, 0.87" body diameter, 1 end has 0.5"-20 hole, 1.31" deep.
57	Plug-shift shaft	E, E1	1	PW-223A	1.49" O.D., 0.08" thick, 2.06" spherical radius.

For parts that are "No Longer Available", contact Information Services, Florence, KY for assistance (1-888-725-9355).

T-228 SERIES MAIN CASE

ITEM	PART NAME	MODEL	QTY	PART NUMBER	DESCRIPTION
58	Shaft-idler	12, 19, D25, D27, D31, D38, D58, D60, D77, D81, D82, D85, D88, D89, D90, D92, D93, D94, PD16, PD37, PD38	1	A-3880-B-1094	13.45" long with 2 journals, 2.5" diameter, 1 spline 3.3"-32T, 9.5" long, 1 end has 0.52" diameter hole and 1 end has 2 holes 0.56"-18 on 1.38" bolt circle diameter, includes item 66 (1898-H-1126).
		36, 37, D95, D97, D98, D99, D100, D101, D102, D103, D104, D106, D107, D108, D109, F, F1, F2	1	A1-3880-B-1094	Same as A-3880-B-1094 except includes item 66 (2297-U-5429).
		E, E1	1	3880-K-843	12.97" long, 3.3"-32T spline, 9.53" long, each end has 2.5" diameter, 1.72" long with 2 holes 0.56"-18 on 1.38" bolt circle diameter.
59	Spacer-idler shaft gear	E, E1	1	1244-Y-1741	4.38" O.D., 3.38" I.D., 1.09" thick. Part no longer available.
60	Gear-low speed drive (1.72-1)	12, 19, 37, D25, D27, D31, D38, D58, D60, D77, D81, D82, D85, D88, D89, D90, D92, D93, D94, D95, D97, D98, D99, D100, D101, D102, D103, D104, D106, D107, D108, D109, PD16, PD37, PD38, F, F1, F2	1	3892-W-5327	3892-R-5322 forging, 31T, R.H., helical, 7.17" O.D., 32T internal spline with 3.36" major diameter.
	Gear-low speed drive (1.93-1)		1	3892-M-3107	Same as W-5327 except 29T and 6.79" O.D.
	Gear-low speed drive (2.43-1)		1	3892-P-1888	Same as W-5327 except uses 3892-T-3400 forging, 25T, and 5.89" O.D.
61	Spacer-idler shaft gear	E, E1	1	1244-Y-1741	4.38" O.D., 3.38" I.D., 1.09" thick. Part no longer available.
		All others	1	1844-E-557	4" O.D., 3.38" I.D., 1.44" thick.
62	Gear-high speed intermediate	All	1	3892-U-5325	3892-P-5320 forging, 41T, R.H., helical, 9.27" O.D., 32T internal spline with 3.36" major diameter.
63	Cone-idler shaft front bearing	All	1	5584	2.5" bore.
64	Cup-idler shaft front bearing	All	1	5535	4.81" O.D.

For parts that are "No Longer Available", contact Information Services, Florence, KY for assistance (1-888-725-9355).

T-228 SERIES MAIN CASE

ITEM	PART NAME	MODEL	QTY	PART NUMBER	DESCRIPTION
65	Snap Ring-idler shaft front bearing retainer	12, 19, 36, 37, D25, D27, D31, D38, D58, D60, D77, D81, D82, D85, D88, D89, D90, D92, D93, D94, D95, D97, D98, D99, D100, D101, D102, D103, D104, D106, D107, D108, D109, PD16, PD37, PD38, F, F1, F2	1	1854-U-281	Fits into 2.38" groove, 0.22" wide, 0.12" thick, no eyes.
66	Button-idler shaft oil pump drive	36, 37, D95, D97, D98, D99, D100, D101, D102, D103, D104, D106, D107, D108, D109, F, F1, F2	1	2297-U-5429	0.94" long, 0.56" body diameter, 0.75" diameter head with 0.26" slot, included in item 58 (A1-3880-B-1094).
		12, 19, D25, D27, D31, D38, D58, D60, D77, D81, D82, D85, D88, D89, D90, D92, D93, D94, PD16, PD37, PD38	1	1898-H-1126	0.75" long, 0.56" body diameter, 0.75" diameter round head with 0.16" slot, included in item 58 (A-3880-B-1094).
67	Coupling-oil pump	36, 37, D95, D97, D98, D99, D100, D101, D102, D103, D104, D106, D107, D108, D109, F, F1, F2	1	2207-W-1011	0.56" O.D., 0.57" wide with 0.24" x 0.56" tang and 0.6" wide slot.
68	Washer-idler shaft bearing retainer	E, E1	1	1829-D-446	3" O.D., 0.38" thick with 2 holes 0.59" diameter on 1.38" bolt circle diameter.
69	Lockwire-idler shaft bearing retainer	E, E1	1	LW-166	16 gage, 6" long.
70	Capscrew-idler shaft bearing retainer	E, E1	1	S-1910D-2	0.56"-18, 1.25" long, 1 hole drilled head, 0.8" across flats, grade 8.
71	Shim-idler shaft front bearing	All	2	2803-C-1953	0.003" thick, 7" O.D., 5" I.D., 6 holes 0.53" diameter equal spaced on 6" bolt circle diameter, 1 flat on O.D., 1 notch 0.63" wide on I.D., use as required.
			3	2803-D-1954	Same as C-1953 except 0.005" thick, use as required.
			3	2803-E-1955	Same as C-1953 except 0.010" thick, use as required.

For parts that are "No Longer Available", contact Information Services, Florence, KY for assistance (1-888-725-9355).

T-228 SERIES MAIN CASE

ITEM	PART NAME	MODEL	QTY	PART NUMBER	DESCRIPTION
72	Cap-idler shaft front bearing	12, 19, D25, D27, D31, D38, D58, D60, PD16	1	3866-K-1103	3866-J-1102 casting, 7" O.D., 4.25" I.D., 1.81" wide, 6 holes 0.53" dia. equal spaced on 6" bolt circle diameter, flat on O.D., 2 holes 0.38" diameter, 0.75" deep and 2 holes 0.25"-20, 0.88" deep.
		E, E1	1	3866-N-872	3866-J-1284 casting, 7" O.D., 4.25" I.D., 1.19" wide, 6 holes 0.53" dia. on 6" bolt circle diameter, flat on O.D., 1 notch 0.63" wide on I.D.
		All others	1	3266-J-946	3266-H-944 casting, 7" O.D., 4.25" I.D., 1.44" wide, 6 holes 0.52" dia. on 6" bolt circle diameter, flat on O.D., has 3" x 2.76" milled pad with 4 holes 0.31"-18 and 1 hole 1.79" diameter.
73	Lockwasher-idler shaft front cap	12, 19, 36, 37, D25, D27, D31, D38, D58, D60, D77, D81, D82, D85, D88, D89, D90, D92, D93, D94, D95, D97, D98, D99, D100, D101, D102, D103, D104, D106, D107, D108, D109, PD16, PD37, PD38, E, E1 F, F1, F2	6	WA-18	0.86" O.D., 0.52" I.D., 0.13" thick.
74	Capscrew-idler shaft front cap	12, 19, 36, 37, D25, D27, D31, D38, D58, D60, D77, D81, D82, D85, D88, D89, D90, D92, D93, D94, D95, D97, D98, D99, D100, D101, D102, D103, D104, D106, D107, D108, D109, PD16, PD37, PD38, E, E1, F, F1, F2	6	S-2812-2	0.50"-14, 1.50" long, 0.74" across flats, grade 8.

For parts that are "No Longer Available", contact Information Services, Florence, KY for assistance (1-888-725-9355).

T-228 SERIES MAIN CASE

ITEM	PART NAME	MODEL	QTY	PART NUMBER	DESCRIPTION
75	Gasket-oil pump to case	12 19, D25, D27, D31, D38, D58, D60, PD16	1	2808-E-1201	Cork, 2.76" long, 1.81" wide, 0.05" thick with 2 holes 0.56" diameter, 2 holes 0.38" diameter.
		36, 37, D77, D81, D82, D85, D88, D89, D90, D92, D93, D94, D95, D97, D98, D99, D100, D101, D102, D103, D106, D107, D108, D109, PD37, PD38, F, F1, F2	1	2297-J-4352	Loctite liquid gasket.
76	Oil pump	36, 37, D95, D97, D98, D99, D100, D101, D102, D103, D104, D106, D107, D108, D109, F, F1, F2	1	A-3303-Q-1005	3.16" x 2.75" with 4 holes 0.34" diameter for mounting, 2 ports 0.25"-18 N.P.T. 0.31" above input.
		D77, D81, D82, D85, D88, D89, D90, D92, D93, D94, PD37, PD38	1	A-3303-X-24	2.85" x 2.75" with 4 holes 0.34" diameter for mounting, 2 ports 0.25"-18 N.P.T. 0.5" above input. Part no longer available.
		12, 19, D25, D27, D31, D38, D58, D60, PD16	1	A-1898-L-1130	1.88" x 1.22" with 2 holes 0.27" diameter for mounting. Part no longer available.
77	Lockwasher-oil pump	36, 37, D77, D81, D82, D85, D88, D89, D90, D92, D93, D94, D95, D97, D98, D99, D100, D101, D102, D103, D104, D106, D107, D108, D109, PD37, PD38, F, F1, F2	4	1229-E-1669	0.62" O.D., 0.34" I.D., 0.06" thick.
		12, 19, D25, D27, D31, D38, D58, D60, PD16	2	WA-14	0.48" O.D., 0.26" I.D., 0.06" thick.

For parts that are "No Longer Available", contact Information Services, Florence, KY for assistance (1-888-725-9355).

T-228 SERIES MAIN CASE

ITEM	PART NAME	MODEL	QTY	PART NUMBER	DESCRIPTION
78	Capscrew-oil pump	36, 37, D77, D81, D82, D85, D88, D89, D90, D92, D93, D94, D95, D97, D98, D99, D100, D101, D102, D103, D104, D106, D107, D108, D109, PD37, PD38, F, F1, F2	4	S-2530-1	0.31"-18, 3.75" long, 0.5" across flats, grade 8.
		12, 19, D25, D27, D31, D38, D58, PD16	2	S-2415-1	0.25"-20, 1.88" long, 0.43" across flats, grade 8.
		D60	2	S-2414-1	0.25"-20, 1.75" long, 0.43" across flats, grade 8.
79	Fitting Assy.-tube adapter	36, 37, D95, D97, D98, D99, D101, D102, D103, D104, D106, D107, D108, D109, F, F1, F2	1	A-2206-D-56	Includes 2297-S-3841 fitting and tube assembly.
80	Elbow Assy.-oil pump intake	36, 37, D95, D97, D98, D99, D101, D102, D103, D104, D106, D107, D108, D109, F, F1, F2	1	A-2206-T-1008	1.34" long center elbow to female 0.38" diameter tube nut, other end 0.38"-18 N.P.T.F. male thread.
		D77, D81, D82, D85, D89, D90, D92, D93, D94, PD37, PD38	1	A-1898-W-595	1.28" long center elbow to female 0.38" diameter tube nut, other end 0.25" N.P.T.F. male thread.
81	Tube-oil intake	36, 37, D95, D97, D98, D99, D101, D102, D103, D104, D106, D107, D108, D109, F, F1, F2	1	3196-Q-1031	0.38" diameter copper tube, developed length 20.88".
		D77, D81, D82, D85, D89, D90, D92, D93, D94, PD37, PD38	1	3196-K-63	0.38" diameter copper tube, developed length 28.68".
		12, 19, D25, D27, D38, D58, D60, PD16	1	3897-X-2936	0.38" diameter copper tube, developed length 36.5". Part no longer available.

For parts that are "No Longer Available", contact Information Services, Florence, KY for assistance (1-888-725-9355).

T-228 SERIES MAIN CASE

ITEM	PART NAME	MODEL	QTY	PART NUMBER	DESCRIPTION
82	Fitting-driven shaft rear cap	12, 19, D25, D27, D38, D58, D60, D77, D81, D82, D85, D89, D90, D92, D93, D94, D95, D97, D98, D99, D101, D102, D103, D104, D106, D107, D108, D109, PD16, PD37, PD38, F, F1, F2	1	A-1898-X-596	1.63" long straight fitting, 0.25" N.P.T.F. one end, nut fits 0.38" tube opposite end.
		36, 37	1	1898-X-596	Same as A-1898-X-596 except less nut for 0.38" tube.
83	Clip-oil tube	12, 19, 36, 37, D25, D27, D38, D58, D60, D77, D81, D82, D85, D89, D90, D92, D93, D94, D95, D97, D98, D99, D101, D102, D103, D104, D106, D107, D108, D109, PD16, PD37, PD38, F, F1, F2	1	1898-K-583	1.4" long, 0.88" wide, 0.04" thick, with 0.56" loop diameter and 0.53" diameter hole.
84	Grommet-oil tube clip	12, 19, 36, 37, D25, D27, D38, D58, D60, D77, D81, D82, D85, D89, D90, D92, D93, D94, D95, D97, D98, D99, D101, D102, D103, D104, D106, D107, D108, D109, PD16, PD37, PD38, F, F1, F2	1	1898-F-578	1.06" long, 0.56" O.D., 0.39" I.D., rubber.
85	Nut-front output shaft	PD16, PD37, PD38	1	1227-B-496	1.25"-18 hex head, 2.12" across flats, 0.62" high, 6 slots.
86	Cotter-output shaft nut	PD16, PD37, PD38	1	K-2416	0.13" diameter, 2" long.
87	Washer-front output shaft nut	-	1	1829-B-678	Not used on T-228 models in this book.
88	Flange/Yoke-front output shaft	PD38	1	A-3280-P-6490	18N yoke, 5.81" long end of hub to center cross assembly, 2"-10T spline, includes item 89.
89	Deflector-front output shaft	PD38	1	2847-Z-312	4.81" O.D., 2.95" I.D., 0.81" long, included in item 88.
90	Spacer-front output yoke to bearing	PD16, PD37, PD38	1	1844-D-654	2.5" O.D., 2.03" I.D., 1" thick.

For parts that are "No Longer Available", contact Information Services, Florence, KY for assistance (1-888-725-9355).

T-228 SERIES MAIN CASE

ITEM	PART NAME	MODEL	QTY	PART NUMBER	DESCRIPTION
91	Oil Seal-front output shaft	PD16, PD37, PD38	1	A-1205-U-1529	4.01" O.D., 2.94" I.D., 0.43"/0.47" thick, double lip with spring.
92	Capscrew-front output shaft bearing cap	PD16, PD37, PD38	5	S-279-1	0.44"-14, 1.13" long, 0.62" across flats, grade 8.
			1	S-2715-1	0.44"-14, 1.88" long, 0.62" across flats, grade 8.
93	Lockwasher-front output shaft bearing cap	PD16, PD37, PD38	6	WA-17	0.77" O.D., 0.46" I.D., 0.11" thick.
94	Cap-front output shaft bearing	PD16, PD37, PD38	1	A-3866-R-876	3866-K-1285 casting, 6.25" O.D., 3.56" I.D., 2.5" high, 6 holes 0.47" diameter equal spaced on 6" bolt circle diameter, 1 hole 0.81"-20, 3.04" deep with 1.25" diameter spotface, includes items 79 and 91.
		12, 19, 36, 37	1	A-3838-Q-251	3838-H-320 casting, 9.63" O.D., 8 holes 0.53" diameter equal spaced on 8.63" bolt circle dia., 2 holes 0.44"-14 on 8.63" bolt circle diameter and 1 hole 0.81"-20, 3.04" long, includes item 109.
95	Gasket-output shaft front bearing cage	PD16, PD37, PD38	1	2808-P-1004	6.25" O.D., 5.16" I.D., 0.01" thick, 6 holes 0.47" diameter equal spaced on 6" bolt circle diameter.
96	Bushing-speedometer driven gear	12, 19, 36, 37, PD16, PD37, PD38	1	1199-M-1105	Flanged, 0.44" flange O.D., 0.03" flange wide, 0.31" O.D., 0.25" I.D., 0.34" wide.
97	Shaft-extension speed drive gear	12, 19, 36, 37	1	2847-P-718	3.5" long, 1.25" I.D., has Woodruff key slot on O.D., 0.84" long.
98	Gear-speedometer driven	PD38	1	1199-Q-1109	4.04" long, 0.47" body diameter with 14 external teeth, has saw tooth slot one end 1.1" long, mates with item 100.
		19, 37	1	1199-J-1154	4.04" long, 15 external teeth with 0.71" O.D. Part no longer available.
99	Sleeve-speedometer driven gear	19, 37, PD38	1	1199-N-1106	0.44" thru hole, 0.88"-18 N.S. male thread one end, 0.5" O.D., 0.81"-20 male thread other end, 0.41" I.D.
100	Gear-speedometer drive	19, 37, PD38	1	1199-P-1108	2.82" O.D., 2" I.D., 1" thick, 4 external teeth, 0.69" long.
101	Key-speedo drive	19, 37	1	16-X-70	0.13" x 0.5" Woodruff.
102	Snap Ring-output shaft front bearing	19, 37	1	1854-H-138	0.16" wide, 0.1" thick, fits into 1.9" groove, replaces 1854-W-257 (0.19" wide and fits into 2" groove).
103	Bearing-output shaft front	PD16, PD37, PD38	1	1828-K-219	5.09" O.D., 2.16" I.D., 1.14" thick.
104	Snap Ring-output shaft front bearing	PD16, PD37, PD38	1	1854-R-382	Fits into 2.03" dia. groove, 0.11" thick, 0.22" wide. Part no longer available.
105	Capscrew-output shaft front cage	12, 19, 36, 37, PD16, PD37, PD38	8	S-2812-2	0.5"-14, 1.5" long, 0.74" across flats, grade 8.
106	Lockwasher-output shaft front cage	12, 19, 36, 37, PD16, PD37, PD38	8	WA-18	0.86" O.D., 0.52" I.D., 0.13" thick.

For parts that are "No Longer Available", contact Information Services, Florence, KY for assistance (1-888-725-9355).

T-228 SERIES MAIN CASE

ITEM	PART NAME	MODEL	QTY	PART NUMBER	DESCRIPTION
107	Cage-output shaft front bearing	PD16, PD37, PD38	1	A-3838-Q-225	3838-E-317 casting, 9.63" O.D., 4.72" I.D., 2.31" high, flat on O.D., 8 holes 0.53" diameter equal spaced on 8.63" bolt circle dia., 2 holes 0.44"-14 equal spaced on 8.63" bolt circle diameter, 6 holes 0.44"-14 equal spaced on 6" bolt circle diameter, 1 slot on I.D., includes item 109.
108	Shim-output shaft front bearing cap	PD16, PD37, PD38	2	2803-M-1963	0.003" thick, 9.63" O.D., 7.75" I.D., 8 holes 0.53" diameter equal spaced on 8.63" bolt circle dia., 1 flat on O.D., 1 notch 0.63" wide on I.D., use as required.
			4	2803-N-1964	Same as M-1963 except 0.005" thick, use as required.
			4	2803-P-1966	Same as M-1963 except 0.010" thick, use as required.
109	Cup-output shaft front bearing	All	1	592A	6" O.D.
110	Cone-output shaft front bearing	All	1	594	3.75" bore.
111	Washer-output shaft front bearing	12, 19, 36, 37, D25, D27, D31, D38, D58, D60, D77, D81, D82, D85, D88, D89, D90, D92, D93, D94, D95, D97, D98, D99, D100, D101, D102, D103, D104, D106, D107, D108, D109, PD16, PD37, PD38, F, F1, F2	1	1829-M-819	5.13" O.D., 3.77" I.D., 0.25" thick.
112	Spacer-output shaft gear	E, E1	1	1244-Y-1741	4.38" O.D., 3.38" I.D., 1.09" long. Part no longer available.
113	Gear-high speed driven	E, E1	1	3892-P-4800	33T, L.H., helical, 7.61" O.D., 32T internal spline with 3.36" major diameter.
		All others	1	3892-V-5326	3892-Q-5321 forging, 33T, L.H., helical, 7.61" O.D., 35 internal teeth for clutch engagement, no external teeth on 4.06" I.D. gear bore, has 6 holes 0.25" diameter in 2 rows equal spaced for lube.
114	Spacer-output shaft gear	E, E1	1	1244-Y-1741	4.38" O.D., 3.38" I.D., 1.09" long. Part no longer available.

For parts that are "No Longer Available", contact Information Services, Florence, KY for assistance (1-888-725-9355).

T-228 SERIES MAIN CASE

ITEM	PART NAME	MODEL	QTY	PART NUMBER	DESCRIPTION
115	Washer-output shaft gear thrust	12, 19, 36, 37, D25, D27, D31, D38, D58, D60, D77, D81, D82, D85, D88, D89, D90, D92, D93, D94, D95, D97, D98, D99, D100, D101, D102, D103, D104, D106, D107, D108, D109, PD16, PD37, PD38, F, F1, F2	1	1829-L-818	5.13" O.D., 4.08" I.D., 0.21" thick, has 1 notch on I.D., 0.19" long.
116	Shaft-output	12, 19, 36	1	A1-3880-F-1150	Same as A-3880-F-1150 except includes pin 2847-P-718 assembled.
		37, D60, D82, D85, D104	1	A-3880-U-1399	Same as A-3880-F-1150 except 5 splines, middle 3 splines have thin/thick/thin splines, thin splines each 1.11" long, thick spline 0.19" long.
		E, E1	1	3297-K-167	19.5" long, 3 splines, 1 spline 3.37"-23T, 0.97" long, 1 spline 3.3"-32T, 4.13" long, 1 spline 2.5"-16T, 3.19" long, 1 end has 1.5"-12 thread with 2 holes 0.22" diameter in thread, 1 end has 1.75" bore, 2.75" deep.
		PD37, PD38	1	A-3880-P-1134	Same as Y-1143 except 4.48"-35T, 3.09" long, single spline is 3 splines thin/thick/thin 3.09" long with 2 undercut grooves between splines.
		PD16	1	A-3880-Y-1143	15.06" long, 2.31" thru I.D., 1 spline 3.7"-36T, 2.91" long, 1 spline 4.48"-35T, 3.09" long, 2 sets of oil lube holes.
		All others	1	A-3880-F-1150	19.5" long, 1.25" bore 13.13" deep, 3 splines, 1 spline 3.38"-23T, 0.97" long, 1 spline 4.47"-35T, 3.06" long, 1 spline 2.5"-16T, 3.19" long, 1.5"-12 thread 1 end with 2 thru drilled holes in thread, 2 sets of oil lube holes on main diameter and 1 set drilled at 30 degree angle near yoke spline.

For parts that are "No Longer Available", contact Information Services, Florence, KY for assistance (1-888-725-9355).

T-228 SERIES MAIN CASE

ITEM	PART NAME	MODEL	QTY	PART NUMBER	DESCRIPTION
117	Pin-output shaft thrust washer	12, 19, 36, 37, D25, D27, D31, D38, D58, D60, D77, D81, D82, D85, D88, D89, D90, D92, D93, D94, D95, D97, D98, D99, D100, D101, D102, D103, D104, D106, D107, D108, D109, PD16, PD37, PD38	1	1846-K-297	0.31" long, 0.16" diameter.
		F, F1, F2	1	1846-K-245	3.13" long, 0.25" diameter, 2 holes 0.07" diameter 2.88" apart. Part no longer available.
118	Fitting-oil pump outlet	36, 37, D95, D97, D98, D99, D101, D102, D103, D104, D106, D107, D108, D109, F, F1, F2	1	A-2206-S-1007	Straight fitting, 1.53" long, 1 end female nut for 0.38" diameter tube, 1 end male 0.38"-18 N.P.T.F.
		12, 19, D25, D27, D38, D58, D60, D77, D81, D82, D85, D89, D90, D92, D93, D94, PD16, PD37, PD38	1	A-1898-X-596	1.63" long straight fitting, 0.25" N.P.T.F. one end, nut fits 0.38" tube opposite end.
119	Tube-oil outlet	36, 37, D95, D97, D98, D99, D101, D102, D103, D104, D106, D107, D108, D109, F, F1, F2	1	3196-R-1032	0.38" diameter copper tube, developed length 30.81".
		D77, D81, D82, D85, D89, D90, D92, D93, D94	1	3196-L-64	0.38" diameter copper tube, developed length 30".
		12, 19, D25, D27, D38, D58, D60	1	3897-Z-2756	0.38" diameter copper tube, developed length 30.63". Part no longer available.
		PD37, PD38	1	3196-L-1026	0.38" diameter copper tube, developed length 24.14".
		PD16	1	3897-X-2754	0.38" diameter copper tube, developed length 28". Part no longer available.

For parts that are "No Longer Available", contact Information Services, Florence, KY for assistance (1-888-725-9355).

T-228 SERIES MAIN CASE

ITEM	PART NAME	MODEL	QTY	PART NUMBER	DESCRIPTION
120	Fitting-transfer case intake	12, 19, D25, D27, D38, D58, D60, D77, D81, D82, D85, D89, D90, D92, D93, D94, D95, D97, D98, D99, D101, D102, D103, D104, D106, D107, D108, D109, PD16, PD37, PD38, F, F1, F2	1	A-1898-W-595	1.34" long center elbow to female 0.38" diameter tube nut, other end 0.38"-18 N.P.T.F. male thread.
		36, 37	1	1898-W-595	Same as A-1898-W-595 except less 0.38" diameter tube nut.
121	Plug-transfer case oil filler	All	1	P-116	1"-11.5 P.T.F. male square head, non-magnetic.
122	Screw-name plate	All	1	9-X-16	0.25" long, 0.14" diameter.
123	Name Plate	36, 37, D95, D97, D98, D99, D100, D101, D102, D103, D104, D106, D107, D108, D109, F, F1, F2	1	2297-Y-4835	3" long, 1.25" high, 0.02" thick with 2 holes 0.15" diameter.
		All others		1199-K-1493	3" long, 1.25" high, 0.02" thick with 2 holes 0.13" diameter.
124	Plug-transfer case oil drain	All	1	1250-M-143	1"-11.5 pipe thread, magnetic plug, 1.39" high, male square head.
125	Lockwire-transfer case shift fork screw	12, 19, 36, 37, D25, D27, D31, D38, D58, D60, D77, D81, D82, D85, D88, D89, D90, D92, D93, D94, D95, D97, D98, D99, D100, D101, D102, D103, D104, D106, D107, D108, D109, F, F1, F2	1	LW-1610	16 gage, 10" long.
		PD16, PD37, PD38	1	LW-1612	16 gage, 12" long.

For parts that are "No Longer Available", contact Information Services, Florence, KY for assistance (1-888-725-9355).

T-228 SERIES MAIN CASE

ITEM	PART NAME	MODEL	QTY	PART NUMBER	DESCRIPTION
126	Screw-shift shaft lock	12, 19, 36, 37, D25, D27, D31, D38, D58, D60, D77, D81, D82, D85, D88, D89, D90, D92, D93, D94, D95, D97, D98, D99, D100, D101, D102, D103, D104, D106, D107, D108, D109, PD16, PD37, PD38, F, F1, F2	1	26-X-96	0.44"-20, 1.38" long, square head with 2 holes thru 0.09" diameter.
127	Fork-transfer case shift	12, 19, 36, 37, D25, D27, D31, D38, D58, D60, D77, D81, D82, D85, D88, D89, D90, D92, D93, D94, D95, D97, D98, D99, D100, D101, D102, D103, D104, D106, D107, D108, D109, PD16, PD37, PD38, F, F1, F2	1	3897-S-1917	3897-B-3122 forging, 5.18" dimension between fork tangs, 0.87" bore for shift fork rod, 1.5" spotface, 1 hole 0.44"-20.
128	Clutch-transfer case gear sliding	37, D60, D82, D85, D104, PD37, PD38		3107-Y-1117	3897-S-3737 forging, 5.84" O.D., 4.63" I.D., 1.75" wide, 2 sets of 35 external teeth, 0.63" wide with center shift fork slot 0.5" wide, 4.5"-35 internal teeth, 0.85" wide.
		12, 19, 36, D25, D27, D31, D38, D58, D77, D81, D88, D89, D90, D92, D93, D94, D95, D97, D98, D99, D100, D101, D102, D103, D106, D107, D108, D109, PD16, F, F1, F2		3107-U-1113	Same as 3107-Y-1117 except 4.53" I.D., and internal teeth 1.75" wide.

T-228 SERIES MAIN CASE

ITEM	PART NAME	MODEL	QTY	PART NUMBER	DESCRIPTION
129	Gear-low speed driven (1.72-1)	12, 19, 36, 37, D25, D27, D31, D38, D58, D60, D77, D81, D82, D85, D88, D89, D90, D92, D93, D94, D95, D97, D98, D99, D100, D101, D102, D103, D104, D106, D107, D108, D109, PD16, PD37, PD38, F, F1, F2	1	3892-F-3152	3892-Q-3137 forging, 43T spur, 9.71" O.D., has 35 internal teeth for clutch engagement, no internal teeth on 7.09" I.D. bore, has 4 diagonal holes 0.19" diameter equal spaced.
	Gear-low speed driven (1.93-1)	D94, D95, D97, D98, D99, D100, D101, D102, D103, D104, D106, D107, D108, D109, PD16, PD37, PD38, F, F1, F2	1	3892-R-3138	Same as F-3152 except has 10.12" O.D. and 45T.
	Gear-low speed driven (2.43-1)	D106, D107, D108, D109, PD16, PD37, PD38, F, F1, F2	1	3892-W-3143	Same as F-3152 except has 11" O.D. and 49T.
130	Bearing-output shaft rear	12, 19, 36, 37, D25, D27, D31, D38, D58, D60, D77, D81, D82, D85, D88, D89, D90, D92, D93, D94, D95, D97, D98, D99, D100, D101, D102, D103, D104, D106, D107, D108, D109, PD16, PD37, PD38, F, F1, F2	1	1828-U-307	7.09" O.D., 3.94" I.D., 2.37" wide, double row ball bearing, 16 balls.
131	Deflector-inner bearing oil	12, 19, 36, 37, D25, D27, D31, D38, D58, D60, D77, D81, D82, D85, D88, D89, D90, D92, D93, D94, D95, D97, D98, D99, D100, D101, D102, D103, D104, D106, D107, D108, D109, PD16, PD37, PD38, F, F1, F2	1	3905-D-82	7.03" O.D., 4.88" I.D., 0.12" thick.

For parts that are "No Longer Available", contact Information Services, Florence, KY for assistance (1-888-725-9355).

T-228 SERIES MAIN CASE

ITEM	PART NAME	MODEL	QTY	PART NUMBER	DESCRIPTION
132	Snap Ring-output shaft inner bearing	12, 19, 36, 37, D25, D27, D31, D38, D58, D60, D77, D81, D82, D85, D88, D89, D90, D92, D93, D94, D95, D97, D98, D99, D100, D101, D102, D103, D104, D106, D107, D108, D109, PD16, PD37, PD38, F, F1, F2	1	1854-R-356	Fits into 7.28" diameter groove, 7.34" free I.D., 0.31" wide, 0.13" thick, no eyes.
133	Spacer-output shaft rear bearing inner	12, 19, 36, 37, D25, D27, D31, D38, D58, D60, D77, D81, D82, D85, D88, D89, D90, D92, D93, D94, D95, D97, D98, D99, D100, D101, D102, D103, D104, D106, D107, D108, D109, PD16, PD37, PD38, F, F1, F2	1	1844-Q-745	4.75" O.D., 3.95" I.D., 0.89" thick, has 4.25" diameter groove on I.D., (0.31" wide) and 3 equal spaced thru holes 0.19" diameter in groove.
134	Cone-output shaft rear bearing	All	1	590A	3" bore.
135	Cup-output shaft rear bearing	All	1	592A	6" O.D.
136	Spacer-output shaft rear bearing outer	12, 19, 36, 37, D25, D27, D31, D38, D58, D60, D77, D81, D82, D85, D88, D89, D90, D92, D93, D94, D95, D97, D98, D99, 100, D101, D102, D103, D104, D106, D107, D108, D109, F, F1, F2	1	1844-R-720	4" O.D., 2.5" I.D., 1.13" thick, 3 thru holes 0.31" diameter equal spaced on 3.25" bolt circle diameter.
		E, E1	1	1844-G-579	3.75" O.D., 2.53" I.D., 1.13 thick, 2 slots 0.38" wide equal spaced on O.D.

For parts that are "No Longer Available", contact Information Services, Florence, KY for assistance (1-888-725-9355).

T-228 SERIES MAIN CASE

ITEM	PART NAME	MODEL	QTY	PART NUMBER	DESCRIPTION
137	Oil Seal-output shaft rear bearing cap inner	12, 19, 36, 37, D25, D31, D38, D60, D77, D81, D82, D85, D88, D89, D90, D92, D93, D94, D95, D97, D98, D99, D100, D101, D102, D103, D104, D106, D107, D108, D109, F, F1, F2	1	A-1805-X-544	5.31" O.D., 4" I.D., 0.5" thick, single lip with spring and dirt lip.
138	Oil Seal-output shaft rear bearing cap outer	12, 19, 36, 37, D25, D31, D38, D60, D77, D81, D82, D85, D88, D89, D90, D92, D93, D94, D95, D97, D98, D99, D100, D101, D102, D103, D104, D106, D107, D108, D109, F, F1, F2	1	A-1205-W-2415	4.25" O.D., 3.18" free lip I.D., 0.44"-0.5" wide, single lip with spring.
		E, E1	1	A-1805-A-495	4" O.D., 3" I.D., 0.47" thick, single lip with spring.
139	Gasket-output shaft rear bearing cap	12, 19, 36, 37, D25, D31, D38, D60, D77, D81, D82, D85, D88, D89, D90, D92, D93, D94, D95, D97, D98, D99, D100, D101, D102, D103, D104, D106, D107, D108, D109, E, E1, F, F1, F2	1	2808-R-1006	9" O.D., 6.44" I.D., 0.02" thick with flat and notch on O.D., 7 holes 0.66" diameter on 7.75" bolt circle diameter.
140	Cap-output shaft rear bearing	12, 19, 36, 37, D25, D31, D38, D82, D85, D88, D89, D90, D92, D93, D94, D95, D97, D98, D99, D100, D101, D102, D103, D104, D106, D107, D108, D109, F, F1, F2	1	A-3866-L-1104	3911-N-352 casting, 4.25" I.D., 1.94" from cap pilot edge, 2.5" high, 7 holes 0.66" diameter on 7.75" bolt circle diameter, O.D. has notch, 1 hole 0.25"-18 N.P.S.F., 0.56" deep.
		E, E1	1	A1-3866-H-944	3911-N-352 casting, 4" I.D., 1.94" from cap pilot edge, 2.5" high, 7 holes 0.66" diameter on 7.75" bolt circle diameter, O.D. has notch.

For parts that are "No Longer Available", contact Information Services, Florence, KY for assistance (1-888-725-9355).

T-228 SERIES MAIN CASE

ITEM	PART NAME	MODEL	QTY	PART NUMBER	DESCRIPTION
141	Lockwasher-output shaft rear cap	12, 19, 36, 37, D25, D31, D38, D60, D77, D81, D82, D85, D88, D89, D90, D92, D93, D94, D95, D97, D98, D99, D100, D101, D102, D103, D104, D106, D107, D108, D109, E, E1, F, F1, F2	7	WA-110	1.05" O.D., 0.65" I.D., 0.16" thick.
142	Capscrew-output shaft rear cap	12, 19, 36, 37, D25, D31, D38, D60, D77, D81, D82, D85, D88, D89, D90, D92, D93, D94, D95, D97, D98, D99, D100, D101, D102, D103, D104, D106, D107, D108, D109, E, E1, F, F1, F2	7	S-21014-1	0.63"-11, 1.75" long, 0.93" across flats, grade 8.
143	Deflector-rear output flange/yoke	19, 37, D38, D81, D85, D89, D90, D92, D93, D97, D98, D99, D101, D102, D106, D107, D108, D109, E, E1, F1, F2	1	DEFR52-1	5.19" O.D., 3.26" I.D., 0.75" wide, 0.09" thick, included in item 144.
144	Flange/Yoke-rear output shaft	D38, D93, D99, D101, D102, D106, D107, E, F1, F2	1	17NYS40-37A	17N yoke, 6.06" end hub to center cross assembly 2.5"-16T spline, includes item 143.
		D81, D85, D89, D92, D97, D98, D108, D109, E1	1	18NYS40A	18N yoke, 6.06" end hub to center cross assembly 2.54"-16T spline, includes item 143.
		19, 37, D90	1	A-3897-B-2264	3897-Z-3120 forging, 1700 flange, 5.25" end hub to flange mounting face, 2.53"-16T spline, 8 holes 0.38" diameter on 7.25" bolt circle diameter, includes item 143. Part no longer available.

For parts that are "No Longer Available", contact Information Services, Florence, KY for assistance (1-888-725-9355).

T-228 SERIES MAIN CASE

ITEM	PART NAME	MODEL	QTY	PART NUMBER	DESCRIPTION
145	Washer-output shaft rear nut	12, 19, 36, 37, D25, D31, D38, D60, D77, D81, D82, D85, D88, D89, D90, D92, D93, D94, D95, D97, D98, D99, D100, D101, D102, D103, D104, D106, D107, D108, D109, E, E1, F, F1, F2	1	1829-U-489	3" O.D., 1.78" I.D., 0.19" thick.
146	Nut-output shaft rear	12, 19, 36, 37, D25, D31, D38, D60, D77, D81, D82, D85, D88, D89, D90, D92, D93, D94, D95, D97, D98, D99, D100, D101, D102, D103, D104, D106, D107, D108, D109, E, E1, F, F1, F2	1	14-X-58	1.75"-12, 0.71" high, 2.21" across flats, grade 8.
147	Cotter-rear output shaft nut	12, 19, 36, 37, D25, D31, D38, D60, D77, D81, D82, D85, D88, D89, D90, D92, D93, D94, D95, D97, D98, D99, D100, D101, D102, D103, D104, D106, D107, D108, D109, E, E1, F, F1, F2	1	K-2620	0.19" diameter, 2.5" long.

For parts that are "No Longer Available", contact Information Services, Florence, KY for assistance (1-888-725-9355).

T-228 SERIES DECLUTCH

ITEM	PART NAME	MODEL	QTY	PART NUMBER	DESCRIPTION
148	Nut-front output shaft	D25, D27, D31, D38, D58, D60, D77, D81, D82, D85, D88, D89, D90, D92, D93, D94, D95, D97, D98, D99, D100, D101, D102, D103, D104, D106, D107, D108, D109, PD16, PD37, PD38, E, E1, F, F1, F2	1	1227-B-496	1.25"-18 hex head, 2.12" across flats, 0.62" high, 6 slots.
149	Cotter-output shaft nut	D25, D31, D38, D60, D77, D81, D82, D85, D88, D89, D90, D92, D93, D94, D95, D97, D98, D99, D100, D101, D102, D103, D104, D106, D107, D108, D109, E, E1, F, F1, F2	1	K-2416	0.13" diameter, 2" long.
150	Washer-front output shaft nut	D27, D58, D60, D77, D81, D82, D85, D88, D89, D90, D92, D93, D94, D95, D97, D98, D99, D100, D101, D102, D103, D104, D106, D107, D108, D109, E, E1, F, F1, F2	1	1829-B-678	2.38" O.D., 1.27" I.D., 0.19" thick.
151	Flange/Yoke-front output shaft (Continued)	D38, D89, D93, D97, D99, D101, D106, D107, E, E1, F1, F2	1	17NYS32-10A	17N yoke, 5.63" end hub to center cross assembly, 2"-10T spline, 3" long, includes item 152.
		D102	1	A1-3897-P-692	16N yoke, 5.63" end hub to center cross assembly, 2"-10T spline, includes item 152 tack welded at shoulder.
		D90	1	A-3280-G-1983	1700 flange, 3.69" end hub to flange mounting face, 2"-10T spline 8 holes 0.38" diameter on 7.25" bolt circle diameter, includes item 152.

For parts that are "No Longer Available", contact Information Services, Florence, KY for assistance (1-888-725-9355).

T-228 SERIES DECLUTCH

ITEM	PART NAME	MODEL	QTY	PART NUMBER	DESCRIPTION
151	Flange/Yoke-front output shaft (Continued)	D81, D85, D92, D98, D109	1	A-3280-P-6490	18N yoke, 5.81" long end of hub to center cross assembly, 2"-10T spline, includes item 152.
		D108	1	176NYS32-7A	176N yoke, 5.81" end hub to center cross assembly, 2"-10T spline, includes item 152.
152	Deflector-front output shaft	D38, D81, D85, D89, D90, D92, D93, D97, D98, D99, D101, D102, D106, D107, D108, D109, E, E1, F1, F2	1	DEFR47-3	4.81" O.D., 2.95" I.D., 0.81" long, 0.05" thick, included in item 151.
153	Spacer-front output yoke to bearing	D25, D27, D58, D60, D77, D81, D82, D90, D93, D95, D97, D101, D104, D109, E, E1, F, F2	1	1844-D-654	2.5" O.D., 2.03" I.D., 1" thick.
154	Oil Seal-declutch shaft	D25, D27, D31, D38, D58, D60, D77, D81, D82, D85, D88, D89, D90, D92, D93, D94, D95, D97, D98, D99, D100, D101, D102, D103, D104, D106, D107, D108, D109, E, E1, F, F1, F2	1	A-1205-U-1529	4" O.D., 2.94" I.D., 0.45" thick, double lip with spring.
155	Capscrew-declutch carrier cap	D25, D27, D31, D38, D58, D60, D77, D81, D82, D85, D88, D89, D90, D92, D93, D94, D95, D97, D98, D99, D100, D101, D102, D103, D104, D106, D107, D108, D109, E, E1, F, F1, F2	5	S-2712-2	0.44"-14, 1.5" long, 0.62" across flats, grade 8.
			1	S-2718-1	0.44"-14, 2.25" long, 0.62" across flats, grade 8.

For parts that are "No Longer Available", contact Information Services, Florence, KY for assistance (1-888-725-9355).

T-228 SERIES DECLUTCH

ITEM	PART NAME	MODEL	QTY	PART NUMBER	DESCRIPTION
156	Lockwasher-declutch carrier cap	D25, D27, D31, D38, D58, D60, D77, D81, D82, D85, D88, D89, D90, D92, D93, D94, D95, D97, D98, D99, D100, D101, D102, D103, D104, D106, D107, D108, D109, E, E1, F, F1, F2	6	WA-17	0.77" O.D., 0.46" I.D., 0.11" thick.
157	Cap-declutch shaft bearing carrier	D25, D27, D31, D38, D58, D60, D77, D81, D82, D85, D88, D89, D90, D92, D93, D94, D95, D97, D98, D99, D100, D101, D102, D103, D104, D106, D107, D108, D109, E, E1, F, F1, F2	1	A-3866-R-876	3866-K-1285 casting, 6.25" O.D., 3.56" I.D., 2.5" high, 6 holes 0.47" dia. equal spaced on 6" bolt circle diameter, 1 hole 0.81"-20, 3.04" deep with 1.25" diameter spotface, includes items 154 and 159.
158	Gasket-declutch shaft carrier cap	D25, D27, D31, D38, D58, D60, D77, D81, D82, D85, D88, D89, D90, D92, D93, D94, D95, D97, D98, D99, D100, D101, D102, D103, D104, D106, D107, D108, D109, E, E1, F, F1, F2	1	2808-P-1004	5.16" I.D., 6.25" O.D., 0.01" thick, with 6 holes at 0.47" diameter on 6" bolt circle diameter.
159	Bushing-speedometer driven gear	D25, D27, D31, D38, D58, D60, D77, D81, D82, D85, D88, D89, D90, D92, D93, D94, D95, D97, D98, D99, D100, D101, D102, D103, D104, D106, D107, D108, D109, E, E1, F, F1, F2	1	1199-M-1105	Flanged, 0.44" flange O.D., 0.03" flange width, 0.31" O.D., 0.25" I.D., 0.34" thick.
160	Gear-speedometer driven	D38, D58, D85, D92, D98, D99, D102, D106, D107, D108, D109, F1	1	1199-Q-1109	4.04" long, 0.47" body diameter, with 14T, has saw tooth slot one end 1.1" long.
	(Continued)				

For parts that are "No Longer Available", contact Information Services, Florence, KY for assistance (1-888-725-9355).

T-228 SERIES DECLUTCH

ITEM	PART NAME	MODEL	QTY	PART NUMBER	DESCRIPTION
160	Gear-speedometer driven (Continued)	D31, D88, D94, D100, D103	1	1199-A-1119	Same as Q-1109 except has 13T.
		D89	1	1199-D-1174	4.04" long, 11T with 0.71" O.D.
161	Sleeve-speedometer driven gear	D31, D38, D58, D85, D88, D92, D94, D98, D99, D100, D102, D103, D106, D107, D108, D109, F1	1	1199-N-1106	0.47" thru hole, 0.88"-18 N.S. male thread one end, 0.5" O.D., 0.31"-20 male thread other end, 0.41" I.D.
		D89	1	1199-L-1156	1.26" long, 1 end has 0.88"-18 external thread and 0.5" I.D., other end has 0.81"-20 thread and 0.44"-14 I.D.
162	Plug-speedometer driven gear	E	1	1850-R-18	Metal threaded plug, 0.81"-20, 0.69" long, 0.88" across flats, replaces 1850-Z-104 plastic plug, 0.85" diameter, 0.56" long. Use A-1805-R-18 for service (includes 5-X-1092 o-ring).
163	Gear-speedometer drive	D38, D58, D85, D92, D98, D99, D102, D106, D107, D108, D109, F1	1	1199-P-1108	2.82" O.D., 2" I.D., 1" thick, 4T, 0.69" long.
		D89	1	1199-S-1111	2.87" O.D., 2" I.D., 1" thick, 3T, 0.69" long, 18 pitch.
		D31, D88, D94, D100, D103	1	1199-B-1120	2.87" O.D., 2" I.D., 1" thick, 3T, 0.69" long, 20 pitch.
164	Bearing-front declutch shaft	D25, D27, D31, D38, D58, D60, D77, D81, D82, D85, D88, D89, D90, D92, D93, D94, D95, D97, D98, D99, D100, D101, D102, D103, D104, D106, D107, D108, D109, E, E1, F, F1, F2	1	1828-K-219	5.09" O.D., 2.16" I.D., 1.14" thick.
165	Snap Ring-declutch shaft bearing	D25, D27, D31, D38, D58, D60, D77, D81, D82, D85, D88, D89, D90, D92, D93, D94, D95, D97, D98, D99, D100, D101, D102, D103, D104, D106, D107, D108, D109, E, E1, F, F1, F2	1	1854-L-246	Fits over 2.16" diameter shaft, 0.12" thick, 0.19" wide.

For parts that are "No Longer Available", contact Information Services, Florence, KY for assistance (1-888-725-9355).

T-228 SERIES DECLUTCH

ITEM	PART NAME	MODEL	QTY	PART NUMBER	DESCRIPTION
166	Shaft-front declutch	D25, D27, D31, D38, D58, D60, D77, D81, D82, D85, D88, D89, D90, D92, D93, D94, D95, D97, D98, D99, D100, D101, D102, D103, D104, D106, D107, D108, D109, E, E1, F, F1, F2	1	3880-Q-849	12.06" long, 2 splines, 1 spline 2"-10T, 2.97" long, 1 spline 2.26"-10T, 3.81" long, 1 end has 1.25"-18 thread with 2 holes 0.16" diameter in thread, 1 end has 6 flats equal spaced, 1.94" long, 1.68" across flats.
167	Lug-declutch shift shaft	D25, D27, D31, D38, D58, D60, D77, D81, D82, D85, D88, D89, D90, D92, D93, D94, D95, D97, D98, D99, D100, D101, D102, D103, D104, D106, D107, D108, D109, E, E1, F, F1, F2	1	2847-L-662	1.31" long, 2.31" high, with 0.75" bore, 0.52" hole and 0.38"-24 hole.
168	Screw-declutch shift lug lock	D25, D27, D31, D38, D58, D60, D77, D81, D82, D85, D88, D89, D90, D92, D93, D94, D95, D97, D98, D99, D100, D101, D102, D103, D104, D106, D107, D108, D109, E, E1, F, F1, F2	1	26-X-52	0.63" long, 0.38"-24 N.F., slotted head.
169	Shaft-front declutch shift	D25, D27, D31, D38, D58, D60, D77, D81, D82, D85, D88, D89, D90, D92, D93, D94, D95, D97, D98, D99, D100, D101, D102, D103, D104, D106, D107, D108, D109, E, E1, F, F1, F2	1	2843-D-472	8.13" long, 0.75" body diameter, with 2 setscrew holes 1.25" diameter, 0.38" deep.

For parts that are "No Longer Available", contact Information Services, Florence, KY for assistance (1-888-725-9355).

T-228 SERIES DECLUTCH

ITEM	PART NAME	MODEL	QTY	PART NUMBER	DESCRIPTION
170	Oil Seal-declutch shift shaft	D25, D27, D31, D38, D58, D60, D77, D81, D82, D85, D88, D89, D90, D92, D93, D94, D95, D97, D98, D99, D100, D101, D102, D103, D104, D106, D107, D108, D109, E, E1, F, F1, F2	1	A-1205-N-1132	1.26" O.D., 0.75" I.D., 0.25" wide, double lip with 1 spring.
171	Nut-declutch carrier to case stud	D25, D27, D31, D38, D58, D60, D77, D81, D82, D85, D88, D89, D90, D92, D93, D94, D95, D97, D98, D99, D100, D101, D102, D103, D104, D106, D107, D108, D109, E, E1, F, F1, F2	2	N-18-1	0.5"-20, hex head, 0.74" across flats, grade 8.
172	Carrier-declutch shaft bearing	D25, D27, D31, D38, D58, D60, D77, D81, D82, D85, D88, D89, D90, D92, D93, D94, D95, D97, D98, D99, D100, D101, D102, D103, D104, D106, D107, D108, D109, E, E1, F, F1, F2	1	A-3826-L-298	4826-K-297 casting, 7.94" long, 4.73" I.D., 6 holes 0.44"-14, on 6" bolt circle diameter, 1 hole 0.75"-14 N.P.T.F., 1 hole 0.44"-20, 8 holes 0.53" diameter equal spaced on 9.63" bolt circle diameter, includes item 109.
173	Plug-declutch carrier oil filler	D25, D27, D31, D38, D58, D60, D77, D81, D82, D85, D88, D89, D90, D92, D93, D94, D95, D97, D98, D99, D100, D101, D102, D103, D104, D106, D107, D108, D109, E, E1, F, F1, F2	1	P-112	Male, square head, 0.75"-14 P.T.F., 1.08" long, non-magnetic.

T-228 SERIES DECLUTCH

ITEM	PART NAME	MODEL	QTY	PART NUMBER	DESCRIPTION
174	Capscrew-declutch carrier to case	D25, D27, D31, D38, D58, D60, D77, D81, D82, D85, D88, D89, D90, D92, D93, D94, D95, D97, D98, D99, D100, D101, D102, D103, D104, D106, D107, D108, D109, E, E1, F, F1, F2	6	S-2812-2	0.5"-14, 1.5" long, 0.74" across flats, grade 8.
175	Lockwasher-declutch carrier to case	D25, D27, D31, D38, D58, D60, D77, D81, D82, D85, D88, D89, D90, D92, D93, D94, D95, D97, D98, D99, D100, D101, D102, D103, D104, D106, D107, D108, D109, E, E1, F, F1, F2	8	WA-18	0.86" O.D., 0.52" I.D., 0.13" thick.
176	Ball-declutch shift shaft lock	D25, D27, D31, D38, D58, D60, D77, D81, D82, D85, D88, D89, D90, D92, D93, D94, D95, D97, D98, D99, D100, D101, D102, D103, D104, D106, D107, D108, D109, E, E1, F, F1, F2	1	1228-K-37	0.37" diameter.
177	Spring-declutch shift shaft lock	D25, D27, D31, D38, D58, D60, D77, D81, D82, D85, D88, D89, D90, D92, D93, D94, D95, D97, D98, D99, D100, D101, D102, D103, D104, D106, D107, D108, D109, E, E1, F, F1, F2	1	2858-S-45	0.36" O.D., 0.22" I.D., 2" free length.

For parts that are "No Longer Available", contact Information Services, Florence, KY for assistance (1-888-725-9355).

T-228 SERIES DECLUTCH

ITEM	PART NAME	MODEL	QTY	PART NUMBER	DESCRIPTION
178	Washer-declutch shift lockscrew	D25, D27, D31, D38, D58, D60, D77, D81, D82, D85, D88, D89, D90, D92, D93, D94, D95, D97, D98, D99, D100, D101, D102, D103, D104, D106, D107, D108, D109, E, E1, F, F1, F2	1	1229-F-422	0.78" O.D., 0.04" wide internal tooth for 0.44" diameter capscrew.
179	Screw-declutch shift lock spring	D25, D27, D31, D38, D58, D60, D77, D81, D82, D85, D88, D89, D90, D92, D93, D94, D95, D97, D98, D99, D100, D101, D102, D103, D104, D106, D107, D108, D109, E, E1, F, F1, F2	1	S-174A-1	0.44"-20, 0.5" long, 0.62" across flats, loctite patch on threads, grade 8.
180	Shim-declutch shaft front bearing cap	D25, D27, D31, D38, D58, D60, D77, D81, D82, D85, D88, D89, D90, D92, D93, D94, D95, D97, D98, D99, D100, D101, D102, D103, D104, D106, D107, D108, D109, E, E1, F, F1, F2	2	2803-M-1963	0.003" thick, 9.63" O.D., 7.75" I.D., 8 holes 0.53" diameter equal spaced on 8.63" bolt circle dia., 1 flat on O.D., 1 notch 0.63" wide on I.D., use as required.
			4	2803-N-1964	Same as M-1963 except 0.005" thick, use as required.
			4 or 5	2803-P-1966	Same as M-1963 except 0.010" thick, use as required. Quantity included increases to 5 for models D109, F, F1 and F2.
181	Stud-declutch carrier to case	D25, D27, D31, D38, D58, D77, D81, D88, D89, D90, D92, D93, D94, D95, D97, D98, D99, D100, D101, D102, D103, D106, D107, D108, D109, E, E1	2	4-X-76-1	2.12" long, 2 threads, 0.5"-20, 0.88" long, and 0.5"-13, 1.06" long, grade 8.
			2	4-X-76	Same as 4-X-76-1 except grade 6.
		D60, D82, D85, D104, F, F1, F2			

For parts that are "No Longer Available", contact Information Services, Florence, KY for assistance (1-888-725-9355).

T-228 SERIES DECLUTCH

ITEM	PART NAME	MODEL	QTY	PART NUMBER	DESCRIPTION
182	Clutch-front declutch sliding	D25, D27, D31, D38, D58, D60, D77, D81, D82, D85, D88, D89, D90, D92, D93, D94, D95, D97, D98, D99, D100, D101, D102, D103, D104, D106, D107, D108, D109, E, E1, F, F1, F2	1	2848-S-175	4.25" O.D., 3.81" long, 2.31" I.D., 23 internal clutch teeth.
183	Fork-declutch shift	D25, D27, D31, D38, D58, D60, D77, D81, D82, D85, D88, D89, D90, D92, D93, D94, D95, D97, D98, D99, D100, D101, D102, D103, D104, D106, D107, D108, D109, E, E1, F, F1, F2	1	2849-Z-260	2849-Q-381 casting, 2 tangs 0.4" wide, 0.75" diameter shift shaft bore and 0.38"-24 setscrew hole.
184	Screw-declutch shift fork lock	D25, D27, D31, D38, D58, D60, D77, D81, D82, D85, D88, D89, D90, D92, D93, D94, D95, D97, D98, D99, D100, D101, D102, D103, D104, D106, D107, D108, D109, E, E1, F, F1, F2	1	26-X-52	0.38"-24 N.F., 0.63" long, 0.09" slotted head.

For parts that are "No Longer Available", contact Information Services, Florence, KY for assistance (1-888-725-9355).

T-228 SERIES PROPORTIONAL DIFFERENTIAL

ITEM	PART NAME	MODEL	QTY	PART NUMBER	DESCRIPTION
185	Shaft-pinion	PD16, PD37, PD38	1	3891-D-1148	24.06" long, 1 spline 2"-10T, 2.97" long, 1.25"-18 thread at one end, 3.55"-20 external teeth other end, 2.34" long, 1.75" bore 1 end 2" deep. Part no longer available.
186	Gasket-differential housing to case	PD16, PD37, PD38	1	2808-U-1009	16.06" long, 0.01" thick, 1 bore 4.88" I.D., with 6 holes equal spaced on 5.31" bolt circle dia., 1 bore 6.06" I.D. with 9 holes 0.66" diameter on 7.75" bolt circle diameter, 1 hole 0.53" diameter 3.75" from center.
187	Housing-differential	PD16, PD37, PD38	1	3875-Q-771	3875-B-548 casting, 19.38" high, 7.53" wide, 6 holes 0.53" dia. on 6" bolt circle diameter, 8 holes 0.66" diameter on 7.75" bolt circle diameter, 2 holes 0.5" dia. on 7.5" bolt circle diameter, 1 hole 1"-11.5 N.P.S.F. on 12.38" O.D. Part no longer available.
188	Plug-differential housing oil drain	PD16, PD37, PD38	1	P-28	0.5"-14 P.T.F., 0.54" long, with female square socket drive, non-magnetic.
189	Plug-differential case oil level	PD16, PD37, PD38	1	1250-J-192	Male square head, 1"-11.5 P.T.F. thread, 1.29" long, 1 hole 0.13" diameter drilled in head, non-magnetic.
190	Fitting-differential housing oil tube	PD16, PD37, PD38	1	A-1898-U-645	1.06" long with 0.25" N.P.T.F. male, 1.14" long with female nut for 0.38" diameter copper tube.
191	Tube-transfer case to differential housing oil	PD16, PD37, PD38	1	2847-V-672	0.38" diameter copper tube, developed length 8.75"
192	Fitting-differential housing oil tube	PD16, PD37, PD38	1	A-1898-U-645	1.06" long with 0.25" N.P.T.F. male, 1.14" long with female nut for 0.38" diameter copper tube.
193	Lockwasher-differential housing to case	PD16, DP37, PD38	7	WA-110	1.05" O.D., 0.05" I.D., 0.16" thick.
194	Capscrew-differential housing to case	PD16, DP37, PD38	7	S-21014-1	0.63"-11, 1.75" long, 0.93" across flats, grade 8.
195	Ring-differential planetary pinion spider	PD16, PD37, PD38	2	1898-J-1128	4.75" O.D., 4.57" I.D., 0.19" thick.
196	Spider-differential planetary pinion	PD16, PD37, PD38	1	3897-W-2753	4897-Y-1923 casting, 1 end 8.96"-52 external teeth, 5.94" long, 3.75"-36T internal spline, has 2 grooves 0.19" wide on hub barrel and 3 holes 0.38" diameter (each hole 12 teeth apart), 3 holes 1.63" diameter on 6" bolt circle dia.
197	Setscrew-differential planetary pinion shaft	PD16, PD37, PD38	3	26-X-236	0.38"-16 thread, 0.38" long with loctite patch on threads, female hex socket head.

For parts that are "No Longer Available", contact Information Services, Florence, KY for assistance (1-888-725-9355).

T-228 SERIES PROPORTIONAL DIFFERENTIAL

ITEM	PART NAME	MODEL	QTY	PART NUMBER	DESCRIPTION
198	Shaft-differential planetary pinion	PD16, PD37, PD38	3	3880-N-846	3.81" long, 1.62" diameter shaft, 0.5" diameter thru hole on length, 0.38" diameter hole 1.97" from 1 end. Part no longer available.
199	Pinion-differential planetary	PD16, PD37, PD38	3	3891-M-975	3891-K-1571 forging, 16T, 2.94" O.D., 1.63" I.D. bore.
200	Gear-differential planetary ring	PD16, PD37, PD38	1	3892-T-1892	3892-X-3484 forging, 52 internal teeth, 10.19" O.D., 4.69" wide. Part no longer available.
201	Washer-rear differential shaft	PD16, PD37, PD38	1	1829-Q-823	4.25" O.D., 2.52" I.D., 0.25" thick.
202	Snap Ring-rear differential shaft inner	PD16, PD37, PD38	1	1854-U-281	0.22" wide, 0.12" thick, fits into 2.38" diameter groove, no eyes.
203	Shaft-rear differential	PD16, PD37, PD38	1	3880-L-844	13.03" long, 2 splines, 1 spline 2.5"-16T, 3.22" long, 1 spline 2.5"-16T, 4.63" long, 1 end has 1.5"-12 thread with 2 holes in thread, 0.22" diameter. Part no longer available.
204	Hub-differential planetary ring gear	PD16, PD37, PD38	1	3897-V-1920	3897-D-3124 forging, 3.38" long, 8.97" O.D., with 52 external teeth, 2.53"-16T internal spline 3" long, 3 holes 1" diameter on 5.5" bolt circle diameter. Part no longer available.
205	Snap Ring-internal ring gear	PD16, PD37, PD38	1	1854-T-306	0.25" wide, 0.09" thick, fits into 9.19" diameter groove, no eyes. Part no longer available.
206	Gasket-differential housing cover	PD16, PD37, PD38	1	2808-V-1010	12.38" O.D., 10.44" I.D., 0.01" thick, has 11 holes 0.53" diameter on 11.38" bolt circle diameter.
207	Cover-differential	PD16, PD37, PD38	1	3876-Z-364	5876-Y-363 casting, 14.69" long 4.31" wide, 6 holes 0.5"-13 for cover, 11 holes 0.53" dia. on 11.38" bolt circle diameter, 7 holes 0.63"-11 on 7.75" bolt circle dia. Part no longer available.
208	Lockwasher-differential housing cover	PD16, PD37, PD38	7	WA-18	0.86" O.D., 0.52" I.D., 0.13" thick.
209	Capscrew-differential housing cover	PD16, PD37, PD38	7	S-2812-2	0.44"-14, 2.25" long, 0.62" across flats, grade 8.
210	Gasket-differential lock shift cover	PD16, PD37, PD38	1	2808-Q-1005	6.63" x 7.75" x 0.15" thick, 6 holes 0.53" diameter, 1 rectangular hole 5.75" x 3.37".
211	Fork-differential lock shift	PD16, PD37, PD38	1	3897-U-1919	3897-C-3123 forging, 10" center shaft hole to tangs, 1 hole 1.25" diameter 5.69" from tangs, 3.17" between tangs. Part no longer available.
212	Screw-differential lock shift fork	PD16, PD37, PD38	1	26-X-100	0.56"-18, 1.75" long square head, 0.56" across flats, with 1 hole in head 0.13" diameter.

For parts that are "No Longer Available", contact Information Services, Florence, KY for assistance (1-888-725-9355).

T-228 SERIES PROPORTIONAL DIFFERENTIAL

ITEM	PART NAME	MODEL	QTY	PART NUMBER	DESCRIPTION
213	Lockwire-differential lock shift fork screw	PD16, PD37, PD38	1	LW-1610	16 gage, 10" long.
214	Shaft-differential lock shift	PD16, PD37, PD38	1	2843-B-470	7.38" long, 1" diameter, 1 end has 0.63"-18 hole 1.25" deep, fork setscrew 4.34" from the end.
215	Oil Seal-differential lock shift shaft	PD16, PD37, PD38	1	A-1205-P-1758	1.5" O.D., 1" shaft diameter, 0.25" wide, single lip with spring.
216	Cover-differential lock shift	PD16, PD37, PD38	1	3855-D-290	3855-Y-441 casting, 7.38" long, 7.75" wide, 3.59" high, 6 holes 0.53" diameter, 1 hole 0.5"-20. Part no longer available.
217	Lockwasher-differential lock shift cover	PD16, PD37, PD38	6	WA-18	0.86" O.D., 0.52" I.D., 0.13" thick.
218	Capscrew-differential lock shift cover	PD16, PD37, PD38	6	S-2812-2	0.44"-14, 2.25" long, 0.62" across flats, grade 8.
219	Ball-differential lock shift shaft lock	PD16, PD37, PD38	1	1898-E-57	0.44" diameter ball.
220	Spring-differential lock shift shaft lock	PD16, PD37, PD38	1	2858-C-237	0.44" O.D., 1.48" free length, 8.75" active coils.
221	Gasket-differential lock shift lockscrew	PD16, PD37, PD38	1	2208-V-204	0.81" O.D., 0.51" I.D., 0.03" thick.
222	Screw-differential lock shift lock spring	PD16, PD37, PD38	1	3-X-204	0.5"-20, 0.47" long, 0.75" across flats.
223	Snap Ring-rear differential shaft rear case	PD16, PD37, PD38	1	1854-V-308	0.25" wide, 0.13" thick, fits into 5.69" diameter groove, no eyes. Part no longer available.
224	Snap Ring-rear differential shaft bearing	PD16, PD37, PD38	1	1854-U-307	0.28" wide, 0.15" thick, fits into 2.44" diameter groove, no eyes. Part no longer available.
225	Bearing-differential shaft rear	PD16, PD37, PD38	1	1228-P-250	5.51" O.D., 2.56" I.D., 1.3" wide, 8 balls.
226	Oil Seal-differential shaft rear	PD16, PD37, PD38	1	A-1805-M-481	4" O.D., 3.16" free lip I.D., 0.47" wide, single lip with spring.
227	Gasket-differential shaft rear bearing cage	PD16, PD37, PD38	1	2808-R-1006	9" O.D., 6.44" I.D., 0.02" thick with flat and notch on O.D., 7 holes 0.66" diameter on 7.75" bolt circle diameter.
228	Cage-differential shaft rear bearing	PD16, PD37, PD38	1	A-3838-S-253	3911-N-352 casting, 2.94" long, 9" O.D., 3.56" I.D., 7 holes 0.66" diameter on 7.75" bolt circle dia., less 0.25" diameter hole drilled in O.D., includes item 226
229	Lockwasher-differential shaft rear bearing cage	PD16, PD37, PD38	7	WA-110	1.05" O.D., 0.65" I.D., 0.16" thick.
230	Capscrew-differential shaft rear cap	PD16, PD37, PD38	7	S-21014-1	0.63"-11, 1.75" long, 0.93" across flats, grade 8.
231	Deflector-rear differential yoke	PD38	1	DEFR52-1	5.19" O.D., 3.26" I.D., 0.75" thick, 0.09" thick, included in item 232.
232	Yoke-rear differential shaft	PD38	1	18NYS40A	18N yoke, 6.06" from end hub to center cross assembly, 2.54"-16T spline, includes item 231.

For parts that are "No Longer Available", contact Information Services, Florence, KY for assistance (1-888-725-9355).

T-228 SERIES PROPORTIONAL DIFFERENTIAL

ITEM	PART NAME	MODEL	QTY	PART NUMBER	DESCRIPTION
233	Packing-output shaft rear bearing	12, 19, 36, 37, D25, D27, D31, D38, D58, D60, D77, D81, D82, D85, D88, D89, D90, D92, D93, D94, D95, D97, D98, D99, D100, D101, D102, D103, D104, D106, D107, D108, D109, E, E1, F, F1, F2	1	5-X-762	2.56" O.D., 1.44" I.D., 0.25" thick, rubber.
234	Washer-differential shaft rear nut	PD16, PD37, PD38	1	1829-U-489	2.88" O.D., 1.53" I.D., 0.25" thick.
235	Nut-differential shaft rear	PD16, PD37, PD38	1	14-X-58	1.5"-12, 0.75" high, 6 slots, 2.38" across flats, grade 8.
236	Cotter-rear differential shaft nut	PD16, PD37, PD38	1	K-2620	0.19" diameter, 2.5" long.

For parts that are "No Longer Available", contact Information Services, Florence, KY for assistance (1-888-725-9355).

T-228 SERIES DCM BRAKE

ITEM	PART NAME	MODEL	QTY	PART NUMBER	DESCRIPTION
237	Oil Seal-output shaft rear bearing retainer outer	D27, D58	1	A-1205-W-2415	4.25" O.D., 3.18" free lip I.D., 0.44"-0.5" wide, single lip with spring.
238	Gasket-brake spider	D27, D58	1	2808-R-1006	9" O.D., 6.44" I.D., 0.02" thick, with flat and notch on O.D., 7 holes 0.66" diameter on 7.75" bolt circle diameter.
239	Oil Seal-output shaft rear bearing retainer inner	D27, D58	1	A-1805-X-544	5.31" O.D., 4" I.D., 0.5" thick, single lip with spring and dirt lip.
240	Nut-brake assy. to brake spider bolt	D27, D58	4	N-110-1	0.63"-18, 0.55" high, 0.93" across flats, grade 8.
241	Lockwasher-brake assy. to spider bolt	D27, D58	4	WA-110	1.05" O.D., 0.65" I.D., 0.16" thick.
242	Spider-brake	D27, D58	1	A-3911-E-343	3911-N-352 casting, 4.22" long with 3.56" diameter bore, 1 end has 7 holes 0.66" diameter on 7.75" bolt circle dia., other end has 4 holes 0.66" diameter on 4.73" x 4.73" square pattern, includes items 233 and 235. Part no longer available.
243	Lockwasher-brake spider	D27, D58,	7	WA-110	1.05" O.D., 0.65" I.D., 0.16" thick.
244	Capscrew-brake spider	D27, D58	7	S-21014-1	0.63"-11, 1.75" long, 0.93" across flats, grade 8.
			1	S-21012-2	0.63"-11, 1.5" long, 0.93" across flats, grade 8.
245	Stud-brake bell crank	D27, D58	1	4-X-1407	3.06" long, 1 end is 0.75"-10 with 1.13" long thread, other end is 0.75"-16, 0.94" wide, 0.16" dia. hole in thread, grade 8. Part no longer available.
246	Cotter-brake bell crank stud	D27, D58	1	K-2410	1.25" long, 0.13" diameter.
247	Nut-brake bell crank stud	D27, D58	1	N-512-1	0.75"-16 slotted nut, 0.64" high, 1.13" across flats, grade 8.
248	Washer-brake bell crank stud	D27, D58	1	1229-V-1556	1.38" O.D., 0.78" I.D., 0.13" thick.
249	Bell Crank Lever-brake operating	D27, D58	1	302-X-544	302-E-551 forging, 1 leg is 6.5" long from 0.75" diameter hole to 0.52" diameter hole, other leg is 5.75" long from 0.75" diameter hole to 0.52" diameter hole.
250	Cotter-brake bell crank pin	D27, D58	1	K-246	0.75" long, 0.13" diameter.
251	Pin-brake bell crank link	D27, D58	1	1846-G-137	1.58" long, 0.5" body diameter, 0.63" head diameter, 1 hole 0.14" diameter in body. Part no longer available.
252	Link-brake bell crank	D27, D58	1	2847-N-664	5.13" long, 0.5" body diameter yoke each end with 0.94" hole and tangs 1.13" long, yokes at right angles to each other.
253	Pin-brake bell crank link	D27, D58	1	1846-G-137	1.58" long, 0.5" body diameter, 0.63" head diameter, 1 hole 0.14" diameter in body. Part no longer available.

For parts that are "No Longer Available", contact Information Services, Florence, KY for assistance (1-888-725-9355).

T-228 SERIES DCM BRAKE

ITEM	PART NAME	MODEL	QTY	PART NUMBER	DESCRIPTION
254	Cotter-brake bell crank pin	D27, D58	1	K-246	0.75" long, 0.13" diameter.
255	Nut-lock	D27, D58	1	1779-Z-260	0.56"-12, 0.36" high, 0.88" across flats, 6 slots.
256	Washer-flat	D27, D58	2	WA-39	1.19" O.D., 0.59" I.D., 0.09" thick.
257	Lever-brake	D27, D58	1	372-T-228	372-S-227 casting, bent lever 7.38" from 0.56" diameter hole to 1" hole which has 32 serrations.
258	Backing Plate Assy.	D27, D58	1	A1-3736-K-375	8.37" long between 2 holes 0.7" diameter, 5.5" pilot diameter hole, 4 holes 0.67" diameter, 1 hole 1.06" diameter, includes 1259-Y-51 anchor pin (2 pieces).
259	Bolt-brake assy. to brake spider	D27, D58	4	10-X-674	0.63"-18, 1.94" long, 0.94" across flats, grade 8.
260	Camshaft-brake	D27, D58	1	2710-U-151	2710-X-154 forging, 3.17" long, 32 serrations 1 end, 0.56"-12 thread 1 end.
261	Rivet-lining to shoe	D27, D58	24	RV-876	Rivets available separately or included in items 262 and 264.
262	Lining Kit-brake shoe	D27, D58	1	2000-V-360	Kit includes lining and rivets, included in item 264.
263	Spring-return	D27, D58	4	2758-A-53	11 coils, 0.75" dia., 2.75" long.
264	Brake Shoe and Lining Assy.	D27, D58	2	A-3722-F-422	12" x 5" DCM lined shoe, includes items 261 and 262.
265	Strut Assy.	D27, D58	1	A-3787-N-14	10.75" long, 0.22" thick, 5.4" diameter hole on center, 1 hole 0.64" diameter 1 end.
266	Bolt-brake drum to flange	D27, D58	12	10-X-652	2.03" long, 0.63" across flats, 0.44"-20, 30 serrations on body, grade 8. Part no longer available. Can replace with 15-X-695 and 1229-E-1513.
267	Flange-output shaft rear	D27, D58	1	3897-B-2290	18 series flange, 5.25" end hub to flange mounting face, 2.53"-16T spline, 12 holes 0.44" diameter on 7.25" bolt circle diameter.
268	Drum-brake	D27	1	A-3819-B-418	3819-P-510 casting, 12" x 5" DCM, 12 holes 0.47" diameter on 7.25" bolt circle diameter, includes items 266, 267, 271, and 273 (balanced). Part no longer available.
		D58	1	3219-X-4106	3819-P-510 casting, 12" x 5" DCM, 12 holes 0.47" diameter on 7.25" bolt circle diameter, 6.44" diameter pilot bore. Part no longer available.
269	Washer-output shaft rear nut	D27, D58	1	1829-U-489	2.88" O.D., 1.53" I.D., 0.25" thick.
270	Nut-output shaft rear	D27, D58	1	14-X-58	1.5"-12, 0.75" high, 2.38" across flats, 6 slots, grade 8.
271	Lockwasher-brake drum bolt	D27, D58	12	WA-17	0.77" O.D., 0.46" I.D., 0.11" thick.
272	Cotter-rear output shaft nut	D27, D58	1	K-2620	0.19" diameter, 2.5" long.
273	Nut-brake drum bolt	D27, D58	12	N-17-1	0.44"-20, 0.37" high, 0.68" across flats, grade 8.

For parts that are "No Longer Available", contact Information Services, Florence, KY for assistance (1-888-725-9355).

T-228 SERIES POWER TAKE OFF

ITEM	PART NAME	MODEL	QTY	PART NUMBER	DESCRIPTION
274	Oil Seal-P.T.O. adapter to transfer case	19, 37, D85, D88, D100, D106, F1, PD38	1	A-1205-K-635	3.2" O.D., 2.25" I.D., 0.5" wide, double lip with spring, included in item 276.
275	Gasket-P.T.O. adapter	-	1	-	Not used on T-228 models in this book.
276	Adapter-P.T.O. carrier to transfer case	19, 37, D85, D88, D100, D106, F1, PD38	1	A-3897-K-2247	3897-P-3136 casting, 4.13" long, 9.63" flange O.D. with 6 holes, 1 hole 0.53" diameter on 8.63" bolt circle diameter and 2 holes 0.5"-13 on 8.63" bolt circle dia., includes items 274 and 277.
277	Stud-P.T.O. carrier to case	19, 37, D85, D88, D100, D106, F1, PD38	2	4-X-76	2.12" long, 2 threads 0.5"-20, 0.88" long and 0.5"-13, 1.06" long, grade 6, included in item 276.
278	Lockwasher-P.T.O. adapter capscrew	19, 37, D85, D88, D100, D106, F1, PD38	2	WA-17	0.77" O.D., 0.46" I.D., 0.11" thick.
279	Capscrew-P.T.O. adapter to transfer case	19, 37, D85, D88, D100, D106, F1, PD38	2	S-2710-2	0.44"-14, 1.25" long, 0.62" across flats, grade 8.
280	Clutch-P.T.O. drive	19, 37, D85, D88, D100, D106, F1, PD38	1	2848-C-185	3.37" O.D., 2.26" I.D., 4.16" long, 23 external teeth.
281	Snap Ring-P.T.O. drive clutch	19, 37, D85, D88, D100, D106, F1, PD38	1	1854-S-331	Fits over 2.05" diameter shaft, 0.16" thick, 0.16" wide.
282	Washer-P.T.O. drive clutch retainer	19, 37, D85, D88, D100, D106, F1, PD38	1	1829-A-625	2.25" O.D., 0.31" wide with 3 holes, 1 hole 0.31" diameter, 2 holes 0.47" diameter.
283	Capscrew-P.T.O. drive clutch	19, 37, D85, D88, D100, D106, F1, PD38	2	S-2712D-2	0.44"-14, 1.5" long, 1 drilled hole in head, grade 8.
284	Lockwire-P.T.O. drive clutch capscrew	19, 37, D85, D88, D100, D106, F1, PD38	1	LW-166	16 gage, 6" long.
285	Clutch-P.T.O. sliding	19, 37, D85, D88, D100, D106, F1, PD38	1	2848-S-175	4.25" O.D., 3.81" long, 2.31" I.D., 23 internal clutch teeth.
286	Fork-P.T.O. clutch shift	19, 37, D85, D88, D100, D106, F1, PD38	1	2849-Z-260	2849-Q-381 casting, 2 tangs 0.4" wide, 0.75" dia. shift shaft bore, 0.38"-24 setscrew hole.
287	Lockscrew-P.T.O. shift fork	19, 37, D85, D88, D100, D106, F1, PD38	1	26-X-52	0.38"-24, 0.63" long, 0.09" slotted head.
288	Gasket-P.T.O. carrier to adapter	19, 37, D85, D88, D100, D106, F1, PD38	1	2808-R-1084	9.63" O.D., 7.75" I.D., 0.02" thick with 1 flat on O.D., 8 holes 0.53" dia. on 8.63" bolt circle dia.
289	Carrier-P.T.O.	19, 37, D85, D88, D100, D106, F1, PD38	1	A-3826-Z-312	4826-K-297 casting, 7.94" long, 2 holes 0.25"-18 N.P.S.F. 3.5" from flange face, includes items 291, 296, 300 and 301.

For parts that are "No Longer Available", contact Information Services, Florence, KY for assistance (1-888-725-9355).

T-228 SERIES POWER TAKE OFF

ITEM	PART NAME	MODEL	QTY	PART NUMBER	DESCRIPTION
290	Nut-P.T.O. carrier to transfer case stud	19, 37, D85, D88, D100, D106, F1, PD38	2	N-18-1	0.5"-20, 0.44" high, 0.74" across flats, grade 8.
291	Plug-P.T.O. oil drain	19, 37, D85, D88, D100, D106, F1, PD38	1	P-112	Male, square head, 0.75"-14 P.T.F., 1.08" long, non-magnetic, included in item 289.
292	Ball-P.T.O. shift lock	19, 37, D85, D88, D100, D106, F1, PD38	1	1228-K-37	0.37" diameter.
293	Spring-P.T.O. shift lock ball	19, 37, D85, D88, D100, D106, F1, PD38	1	2858-S-45	0.36" O.D., 0.22" I.D., 2" free length.
294	Lockwasher-P.T.O. shift lock spring screw	19, 37, D85, D88, D100, D106, F1, PD38	1	1229-F-422	0.78" O.D., 0.04" wide internal tooth for 0.44" diameter capscrew.
295	Screw-P.T.O. shift lock spring	19, 37, D85, D88, D100, D106, F1, PD38	1	S-174-2	0.44"-20, 0.5" long, hex head, 0.62" across flats, grade 8.
296	Oil Seal-P.T.O. shift shaft	19, 37, D85, D88, D100, D106, F1, PD38	1	A-1205-N-1132	1.26" O.D., 0.75" shaft, single lip and dirt lip with spring, 0.25" wide, replaces A1805-S-305 (single lip only), included in item 289.
297	Shaft-P.T.O. shift	19, 37, D85, D88, D100, D106, F1, PD38	1	2843-D-472	8.13" long, 0.75" body diameter, with 2 setscrew holes 1.25" diameter, 0.38" deep.
298	Lockscrew-P.T.O. shift shaft lug	19, 37, D85, D88, D100, D106, F1, PD38	1	26-X-52	0.38"-24, 0.63" long, 0.09" slotted head.
299	Lug-P.T.O. shift shaft	19, 37, D85, D88, D100, D106, F1, PD38	1	2847-L-662	1.31" long, 2.31" high with 0.75" bore, 0.52" hole and 0.38"-24 hole.
300	Plug-P.T.O. oil filler	19, 37, D85, D88, D100, D106, F1, PD38	1	P-14	0.25"-18 P.T.F. male square head, 0.75" long, non-magnetic, included in item 289.
301	Plug-P.T.O. oil level	19, 37, D85, D88, D100, D106, F1, PD38	1	P-14	0.25"-18 P.T.F. male square head, 0.75" long, non-magnetic, included in item 289.
302	Lockwasher-P.T.O. carrier to transfer case	19, 37, D85, D88, D100, D106, F1, PD38	6	WA-18	0.86" O.D., 0.52" I.D., 0.13" thick.
303	Capscrew-P.T.O. carrier to transfer case	19, 37, D85, D88, D100, D106, F1, PD38	6	S-2822-2	0.5"-13, 2.75" long, 0.74" across flats, grade 8.
304	Shaft-P.T.O.	19, 37, D85, D88, D100, D106, F1, PD38	1	3880-H-918	12.75" long, 2 splines, 1 spline 2"-10T, 2.94" long, 1 spline 2.25"-10T, 3.88" long, 1 end has 1.25"-18 thread with 2 holes 0.16" diameter in thread.
305	Snap Ring-P.T.O. shaft inner bearing	19, 37, D85, D88, D100, D106, F1, PD38	1	1854-L-246	Fits over 2.16" diameter shaft, 0.12" thick, 0.19" wide.

For parts that are "No Longer Available", contact Information Services, Florence, KY for assistance (1-888-725-9355).

T-228 SERIES POWER TAKE OFF

ITEM	PART NAME	MODEL	QTY	PART NUMBER	DESCRIPTION
306	Ball Bearing-P.T.O. shaft inner	19, 37, D85, D88, D100, D106, F1, PD38	1	1828-K-219	5.09" O.D., 2.16" I.D., 1.14" thick.
307	Spacer-P.T.O. shaft bearing	19, 37, D85, D88, D100, D106, F1, PD38	1	1844-R-642	2.63" O.D., 2.19" I.D., 2.95" long.
308	Gasket-P.T.O. shaft bearing cage	19, 37, D85, D88, D100, D106, F1, PD38	1	2808-P-1004	6.25" O.D., 5.16" I.D., 0.01" thick, with 6 holes 0.47" diameter on 6" bolt circle diameter.
309	Cage-P.T.O. shaft bearing	19, 37, D85, D88, D100, D106, F1, PD38	1	3826-A-313	3826-Z-364 casting, 4.94" long, 6.25" flange O.D. with 6 holes 0.47" on 6" bolt circle diameter.
310	Lockwasher-P.T.O. bearing cage capscrew	19, 37, D85, D88, D100, D106, F1, PD38	6	WA-17	0.77" O.D., 0.46" I.D., 0.11" thick.
311	Capscrew-P.T.O. shaft bearing cage	19, 37, D85, D88, D100, D106, F1, PD38	6	S-2712-2	0.44"-14, 1.5" long, 0.62" across flats, grade 8.
312	Bearing-P.T.O. shaft outer	19, 37, D85, D88, D100, D106, F1, PD38	1	1228-V-204	3.94" O.D., 2.17" bore, 0.83" thick, 10 balls.
313	Oil Seal-P.T.O. shaft outer	19, 37, D85, D88, D100, D106, F1, PD38	1	A-1205-U-1529	4.01" O.D., 2.94" I.D., 0.45" wide, double lip with spring.
314	Deflector-companion flange	19, 37, D106, F1, PD38	1	2847-E-312	4.81" O.D., 2.95" I.D., 0.81" long, included in item 315.
315	Flange/Yoke-companion	19, 37, D106, F1	1	A-3280-G-1983	1700 flange, 3.69" end hub to flange mounting face, 2"-10T spline, 8 holes 0.38" diameter on 7.25" bolt circle diameter, includes item 314.
		PD38	1	A-3280-P-6490	18N yoke, 5.81" long end of hub to center cross assembly, 2"-10T spline, includes item 314.
316	Nut-P.T.O. shaft	19, 37, D85, D88, D100, D106, F1, PD38	1	1227-B-496	1.25"-18, 2.12" across flats, 0.62" high, 6 slots.
317	Cotter-P.T.O. shaft	19, 37, D85, D88, D100, D106, F1, PD38	1	K-2416	0.13" diameter, 2" long.

For parts that are "No Longer Available", contact Information Services, Florence, KY for assistance (1-888-725-9355).

NUMERICAL PARTS INDEX

PART NUMBER	PAGE
3-X-204	45
4-X-76	41, 49
4-X-76-1	41
4-X-1407	47
5-X-762	46
9-X-16	27
10-X-652	48
10-X-674	48
14-X-58	10, 15, 33, 46, 48
16-X-70	23
26-X-52	38, 42, 49, 50
26-X-96	28
26-X-100	44
26-X-236	43
302-X-544	47
372-T-228	48
1199-M-1105	23, 36
1199-N-1106	23, 37
1199-P-1108	23, 37
1199-Q-1109	23, 36
1199-S-1111	37
1199-A-1119	37
1199-B-1120	37
1199-J-1154	23
1199-L-1156	37
1199-D-1174	37
A-1199-P-1394	13
1199-K-1493	27
A-1205-K-635	49
A-1205-N-1132	39, 50
A-1205-U-1529	23, 35, 51
A-1205-A-1535	11
A-1205-P-1758	45
A-1205-W-2415	31, 47
1227-B-496	22, 34, 51
1227-D-940	10
1228-K-37	40, 50
1228-V-204	51
1228-P-250	45
1229-F-422	41, 50
1229-V-1556	47
1229-E-1669	20
1229-N-1730	10
1244-L-636	11
1244-Y-1741	17, 24
1250-M-143	27
1250-J-192	43

PART NUMBER	PAGE
1779-Z-260	48
A-1805-F-162	11
A-1805-S-279	16
A-1805-M-481	15, 45
A-1805-A-495	31
A-1805-X-544	31, 47
1828-K-219	23, 37, 51
1828-U-307	29
1829-A-625	49
1829-B-678	22, 34
1829-D-446	16, 18
1829-L-818	25
1829-M-819	24
1829-N-820	16
1829-Q-823	44
1829-U-489	10, 15, 33, 46, 48
1844-E-557	17
1844-G-579	30
1844-R-642	51
1844-U-645	15
1844-D-654	22, 35
1844-R-720	30
1844-Q-745	30
1846-G-137	47
1846-K-245	26
1846-K-297	26
1850-R-18	37
1854-H-138	23
1854-L-246	37, 50
1854-U-281	18, 44
1854-S-305	13
1854-T-306	44
1854-U-307	45
1854-V-308	45
1854-S-331	49
1854-R-356	30
1854-R-382	23
1898-E-57	12, 45
1898-F-578	22
1898-K-583	22
1898-W-595	27
A-1898-W-595	21, 27
1898-X-596	22
A-1898-X-596	22, 26
A-1898-U-645	43
1898-H-1126	18
1898-J-1128	43

PART NUMBER	PAGE
A-1898-L-1130	20
2000-V-360	48
A-2206-D-56	21
A-2206-S-1007	26
A-2206-T-1008	21
2207-W-1011	18
2208-V-204	12, 45
2297-J-4352	20
2297-Y-4835	27
2297-U-5429	18
2710-U-151	48
2758-A-53	48
2803-C-1953	18
2803-D-1954	18
2803-E-1955	18
2803-F-1956	11
2803-G-1957	11
2803-H-1958	11
2803-M-1963	24, 41
2803-N-1964	24, 41
2803-P-1966	24, 41
2808-P-1004	23, 36, 51
2808-Q-1005	44
2808-R-1006	31, 45, 47
2808-S-1007	16
2808-T-1008	13
2808-U-1009	43
2808-V-1010	44
2808-R-1084	49
2808-S-1085	13
2808-E-1201	20
2843-B-470	45
2843-C-471	16
2843-D-472	38, 50
2847-E-312	51
2847-Z-312	22
2847-L-662	38, 50
2847-N-664	47
2847-V-672	43
2847-P-718	23
2848-S-175	42, 49
2848-C-185	49
2849-Z-260	42, 49
2858-S-45	40, 50
2858-L-194	12
2858-C-237	45
3107-U-1113	28
3107-Y-1117	28

NUMERICAL PARTS INDEX

PART NUMBER	PAGE
3196-K-63	21
3196-L-64	26
3196-L-1026	26
3196-Q-1031	21
3196-R-1032	26
3219-X-4106	48
3266-J-946	19
A3-3280-F-1644	10
A-3280-G-1983	34, 51
A-3280-P-6490	22, 35, 51
3290-R-1006	12
3297-K-167	25
3297-Y-1169	11
A-3303-X-24	20
A-3303-Q-1005	20
A-3722-F-422	48
A1-3736-K-375	48
A-3787-N-14	48
A-3819-B-418	48
A-3826-L-298	39
A-3826-Z-312	49
3826-A-313	51
A-3838-Q-225	24
A-3838-Q-251	23
A-3838-S-253	45
3855-D-290	45
3855-M-403	13
A-3866-M-871	11
A1-3866-M-871	11
3866-N-872	15, 19
A-3866-R-876	23, 36
A1-3866-H-944	31
A1-3866-M-949	14
3866-K-1103	19
A-3866-L-1104	31
3866-T-1112	13
3875-V-646	12
3875-Q-771	43
3875-K-817	12
3875-L-818	13
3876-Z-364	44
3880-K-843	17
3880-L-844	44
3880-N-846	44
3880-Q-849	38
3880-G-917	11
3880-H-918	50
3880-R-928	11

PART NUMBER	PAGE
A-3880-B-1094	17
A1-3880-B-1094	17
A-3880-P-1134	25
A-3880-Y-1143	25
A-3880-F-1150	25
A1-3880-F-1150	25
A-3880-U-1399	25
3891-M-975	44
3891-D-1148	43
3892-P-1888	17
3892-T-1892	44
3892-M-3107	17
3892-R-3138	29
3892-W-3143	29
3892-F-3152	29
3892-P-4800	24
3892-T-5324	11
3892-U-5325	17
3892-V-5326	24
3892-W-5327	17
A1-3897-P-692	34
3897-S-1917	28
3897-U-1919	44
3897-V-1920	44
A-3897-K-2247	49
A-3897-B-2264	32
3897-B-2290	48
3897-W-2753	43
3897-X-2754	26
3897-Z-2756	26
3897-X-2936	21
3905-D-82	29
A-3911-E-343	47
176N-4-731X	10
176NYS32-7A	35
17N-4-4411X	10
17NYS32-10A	34
17NYS36A1	10
17NYS38-31A2	10
17NYS38-69A	10
17NYS40-37A	32
18N-4-2551X	10, 15
18NYS38-8A3	10
18NYS40A	32, 45
590A	30
592A	24, 30
594	24
5535	17

PART NUMBER	PAGE
5584	17
28622	13
28682	13
5WCS36-96A1	10
DEFR47-3	35
DEFR50-2	11, 15
DEFR52-1	32, 45
DEFR54-9	11
HM-212011	11, 16
HM-212044	11
HM-212046	16
K-246	47, 48
K-2410	47
K-2416	22, 34, 51
K-2620	10, 15, 33, 46 48
Kit T-228-1	6
Kit T-228-2	6
Kit T-228-3	7
Kit T-228-4	7
Kit T-228-5	7
Kit T-228-6	7
Kit T-228-7	8
Kit T-228-8	8
Kit T-228-9	8
Kit T-228-11	8
Kit T-228-12	9
Kit T-228-13	9
LW-166	16, 18, 49
LW-1610	27, 45
LW-1612	27
N-17-1	48
N-18-1	39, 50
N-110-1	47
N-512-1	47
P-14	50
P-28	43
P-112	39, 50
P-116	27
PW-223A	16
RV-876	48
S-174-2	50
S-174A-1	41
S-188-2	12
S-279-1	23
S-284-1	14
S-1910D-2	16, 18
S-2414-1	21

NUMERICAL PARTS INDEX

PART NUMBER	PAGE
S-2415-1	21
S-2530-1	21
S-2710-2	14
S-2710-2	49
S-2712-2	35, 51
S-2712D-2	49
S-2714-2	14
S-2715-1	23
S-2718-1	35
S-2810-1	14
S-2812-2	11, 13, 15, 19, 23, 40, 44, 45
S-2813-2	13
S-2822-2	50
S-21012-2	47
S-21014-1	32, 43, 45, 47
WA-14	20
WA-17	13, 14, 23, 36, 48, 49, 51
WA-18	11, 13, 15, 19, 23, 40, 44, 45, 50
WA-39	48
WA-110	32, 43, 45, 47

PART NUMBER	PAGE
-------------	------

PART NUMBER	PAGE
-------------	------

ARVINMERITOR AFTERMARKET PARTS WARRANTY

We warrant all new parts for one year from date of shipment to the buyer against defective material or workmanship (but not against damage caused by accident, abuse or improper installation, maintenance or repair) when such parts are used on vehicles the specifications of which have been approved by our Engineering Department.

As the exclusive remedy under this warranty, we will, at our option, repair or replace such parts free of charge, or take back the nonconforming parts and refund the monies paid by buyer for such parts, if found on examination by us to be nonconforming and if any necessary return charges are prepaid.

If it is necessary to return any parts under this warranty, buyer agrees not to make any deduction on account thereof from remittances on current accounts while claims are in the process of disposition. Any expense incurred without our consent for repairs or replacement will not be allowed.

THIS WARRANTY IS EXPRESSLY IN LIEU OF ALL OTHER WARRANTIES OR CONDITIONS, EXPRESS, IMPLIED OR STATUTORY, INCLUDING ANY IMPLIED WARRANTY OF MERCHANTABILITY OR FITNESS FOR PARTICULAR PURPOSE. IN NO EVENT SHALL SELLER BE LIABLE FOR INCIDENTAL OR CONSEQUENTIAL DAMAGES OF ANY NATURE.

Only genuine ArvinMeritor replacement parts are covered by this aftermarket parts warranty.

Information contained in this publication was in effect at the time the publication was approved for printing and is subject to change without notice or liability. ArvinMeritor reserves the right to revise the information presented or discontinue the production of parts at any time.

ArvinMeritorTM

Commercial Vehicle Aftermarket

Meritor Heavy Vehicle Systems, LLC

7975 Dixie Highway
Florence, KY 41042 USA
© Copyright 1997
www.arvinmeritor.com

ArvinMeritor, Inc.

Litho in U.S.A.

Revised 12/97
PB-90201 (05060)