

BROUGHT TO YOU BY PRO GEAR &  
TRANSMISSION.

FOR PARTS OR SERVICE CALL:

877-776-4600

407-872-1901



Roadranger®



EATON

SPICER®



WWW.PGTTRUCKPARTS.COM

906 W. GORE ST. ORLANDO, FL 32805  
PARTS@EPROGEAR.COM



**MERITOR**<sup>™</sup>  
A Heritage of Rockwell Technology

# Torq-2<sup>™</sup> 10-Speed Transmissions

---

**Parts Book No. PB-9857**  
**Issued 4-98**

## **Models**

- **M-14F10A-M16**
- **MO-14F10A-M16**
- **MO-14F10C-M16**
- **MO-16F10C-M18**



Service Technicians  
Society

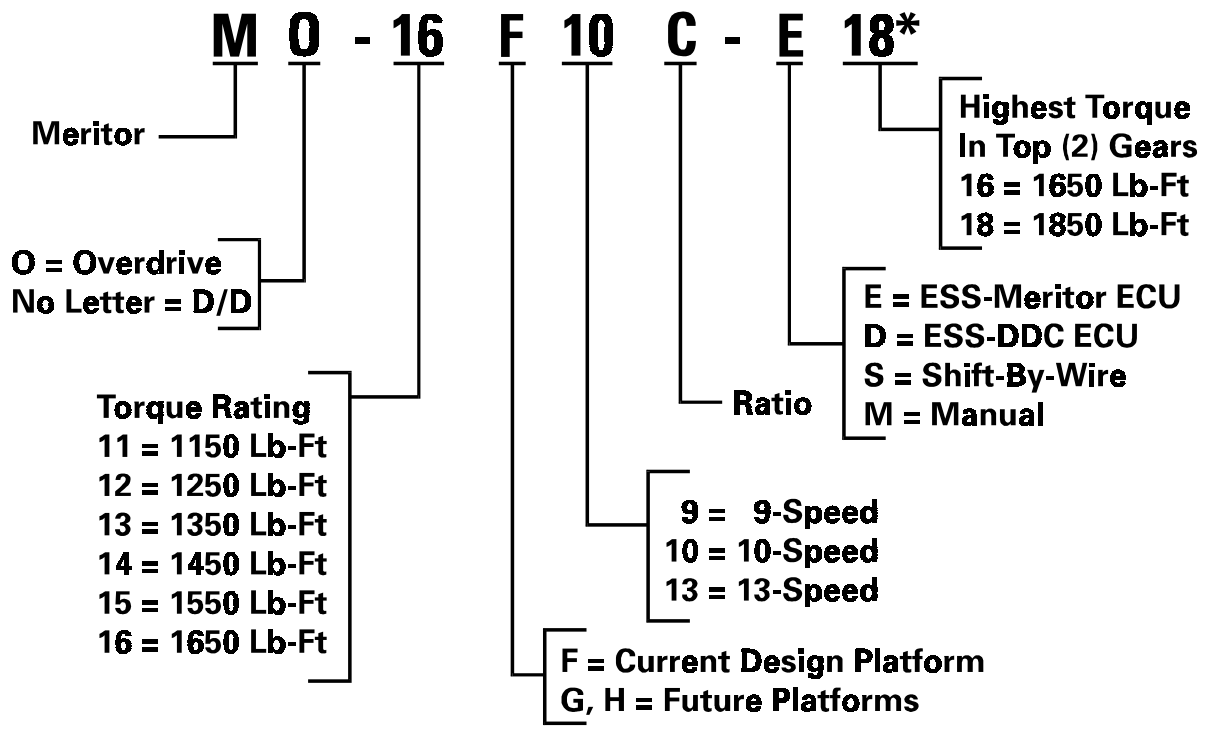
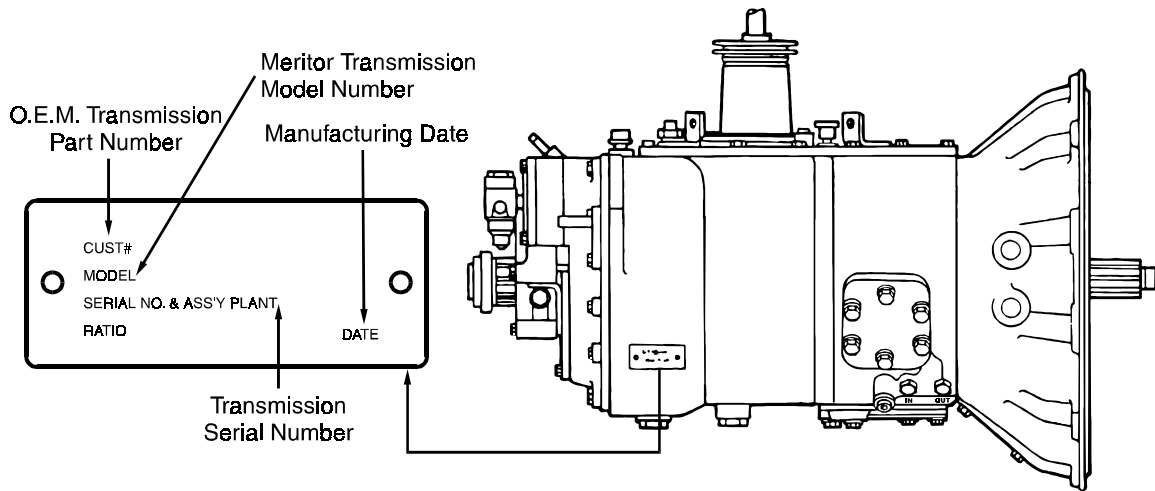
WE SUPPORT  
VOLUNTARY TECHNICIAN  
CERTIFICATION  
THROUGH





## MERITOR TRANSMISSION MODEL NOMENCLATURE

# MO-16F10C-M18



\*In models not featuring progressive torque, this number will be the same as the torque rating.



This parts book contains information for Meritor’s Torq-2™ ten-speed transmission. This publication also supplements Meritor’s Parts Book number PB-94134, 9-, 10-, and 13-Speed Transmissions. To order a copy of PB-94134, call Meritor’s Customer Service Center at 800-535-5560.

Each component table in this catalog contains the following information:

- ① **Item**..... The numbers in the **Item** column correspond to the numbers in the illustration that identify parts.
- ② **Quantity (Qty.)** ..... The numbers in the **Quantity** column indicate the parts required in each component.
- ③ **Part**..... The number that corresponds to the item you will order
- ④ **Description**..... Designates the part name

## Input Shaft Assembly

① <b>Item</b>	② <b>Qty.</b>	③ <b>Part Number</b>	④ <b>Description</b>
1	1	1229-W-4339	Snap Ring
2	1	1228-G-1203	Ball Bearing
3	1	1244-C-1823	Spacer
4	1	1229-X-4418	Snap Ring, (Main Drive Gear)
5	1	3892-G-5232	M/S Gear, Drive (60T) 10-A O/D
	1	3892-W-5015	M/S Gear, Drive (50T) 10 DIR
	1	3892-M-5473	M/S Gear, Drive 10-C
6	1	A-3297-Y-1351	I/P Shaft Assy 2" Pull Type (includes 1225-A-1171 Bushing) Order KIT5215
7	1	1225-A-1171	Bushing, (M/S)

## Table of Contents

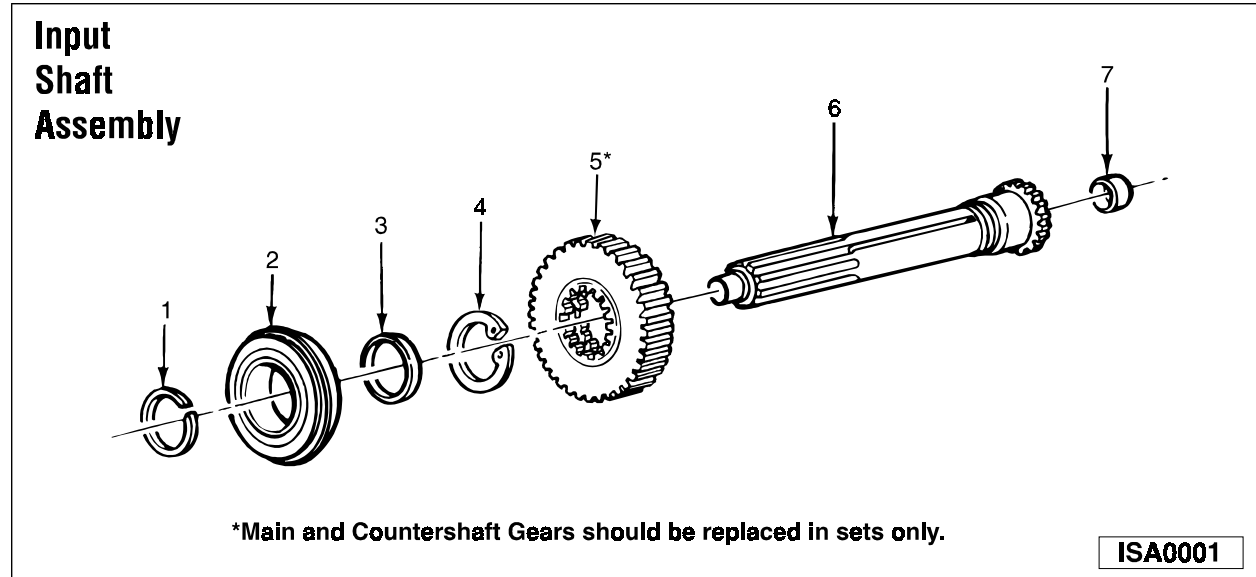
### Main Gear

- Input Shaft Assembly ..... 1
- Main Shaft Assembly A-Ratio Direct Drive ..... 2-3
- Main Shaft Assembly A-Ratio Overdrive ..... 4-5
- Main Shaft Assembly C-Ratio Overdrive..... 6-7
- Main Countershaft Assembly Direct Drive ..... 8
- Main Countershaft Assembly A-Ratio Overdrive..... 9
- Main Countershaft Assembly C-Ratio Overdrive..... 10

### Auxiliary Case Assembly

- Auxiliary Drive Gear Assembly A-Ratio (Direct & Overdrive)..... 11
- Auxiliary Drive Gear Assembly C-Ratio ..... 12
- Auxiliary Countershaft Assembly A-Ratio (Direct Drive & Overdrive) ..... 13
- Auxiliary Countershaft Assembly C-Ratio (Direct Drive & Overdrive) ..... 14
- Output Shaft Assembly..... 15

# Main Gear



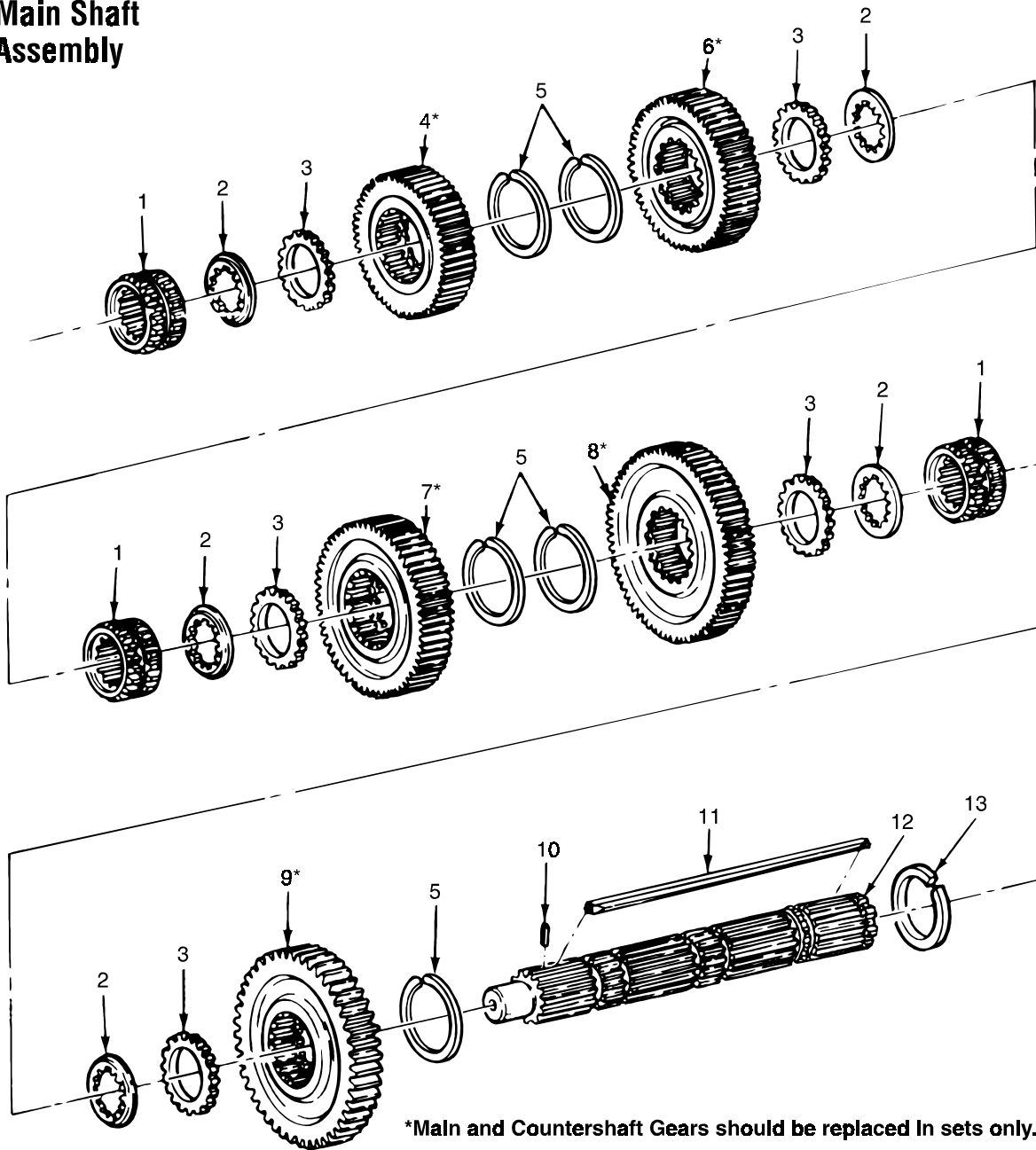
## Input Shaft Assembly

Item	Qty.	Part Number	Description
1	1	1229-W-4339	Snap Ring
2	1	1228-G-1203	Ball Bearing
3	1	1244-C-1823	Spacer
4	1	1229-X-4418	Snap Ring, (Main Drive Gear)
5	1	3892-F-5232	M/S Gear, Drive (60T) 10-A O/D
	1	3892-W-5015	M/S Gear, Drive (50T) 10 DIR
	1	3892-M-5473	M/S Gear, Drive 10-C
6	1	A-3297-Y-1351	I/P Shaft Assy, 2" Pull Type (includes 1225-A-1171 Bushing) Order KIT5215
7	1	1225-A-1171	Bushing, (M/S)

**NOTE:** For parts not specific to Meritor's TORQ-2 transmission, refer to PB-94134.



**Main Shaft Assembly**



**\*Main and Countershaft Gears should be replaced in sets only.**

**MSA0002**

**NOTE:** For parts not specific to Meritor's TORQ-2 transmission, refer to PB-94134.

# Main Gear



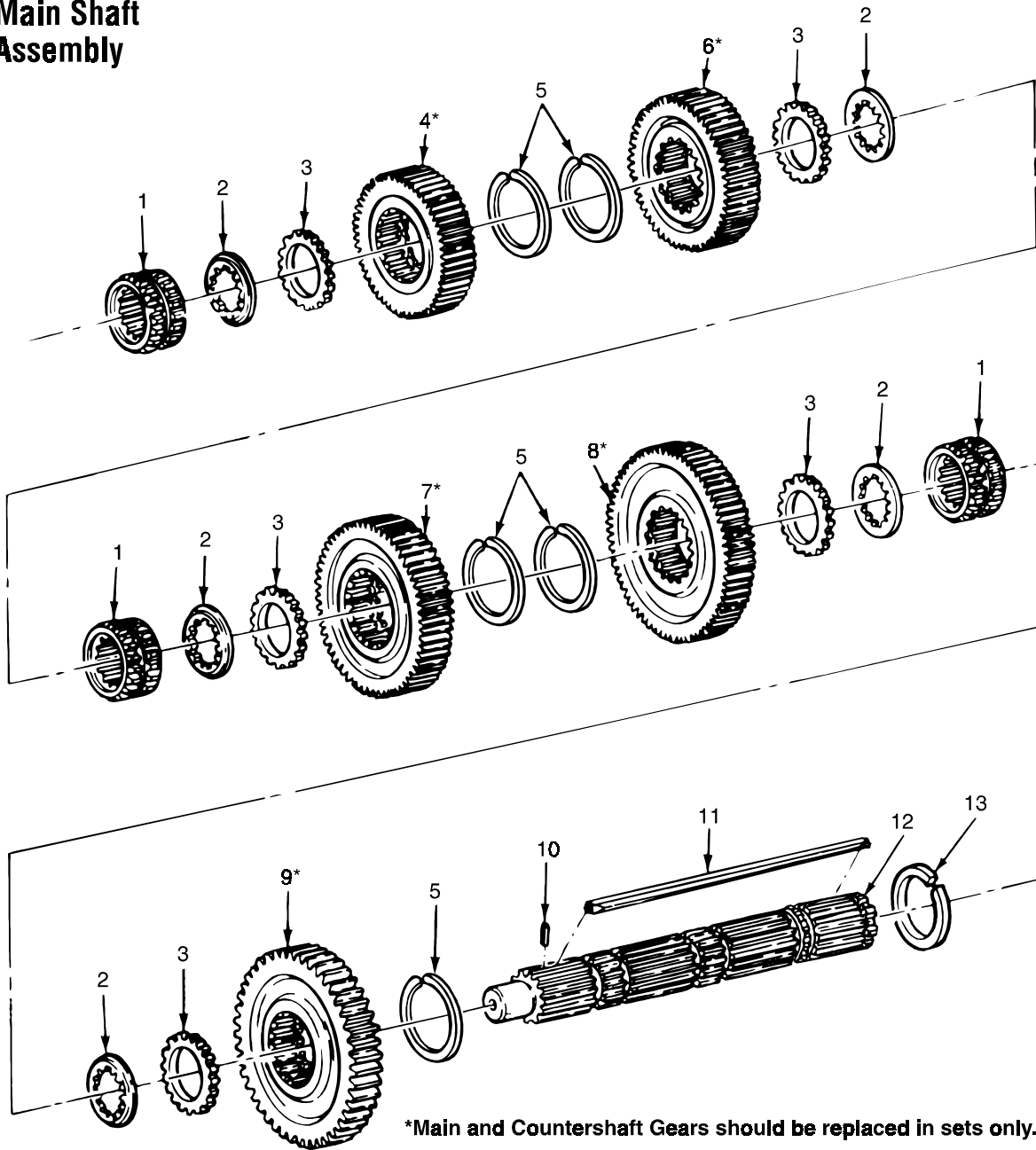
## Main Shaft Assembly A-Ratio Direct Drive

Item	Qty.	Part Number	Description
1	3	3107-G-1073	Clutch Collar
2	AR	42X-1412	Thrust Wshr, (6.90 mm)
	AR	42X-1413	Thrust Wshr, (7.00 mm)
	AR	42X-1414	Thrust Wshr, (7.10 mm)
3	5	1244-M-2041	Spacer, (Main Shaft Gears)
4	1	3892-J-5028	M/S Gear, (50T)
5	5	1229-W-4625	Snap Ring, (Main Shaft Gears)
6	1	3892-G-5025	M/S Gear, 3rd (60T)
7	1	3892-M-5395	M/S Gear, 2nd
8	1	3892-F-5414	M/S Gear, 1st
9	1	3892-L-5030	M/S Gear, Reverse (48T)
10	1	43X-1158	Pin, (Roll)
11	1	16X-1028	Key, (Mainshaft)
12	1	3297-J-1336	Main Shaft
13	1	1229-W-4339	Snap Ring, (Main Shaft Key)

**NOTE:** For parts not specific to Meritor's TORQ-2 transmission, refer to PB-94134.



**Main Shaft Assembly**



**\*Main and Countershaft Gears should be replaced in sets only.**

**MSA0002**

**NOTE:** For parts not specific to Meritor's TORQ-2 transmission, refer to PB-94134.



# Main Gear



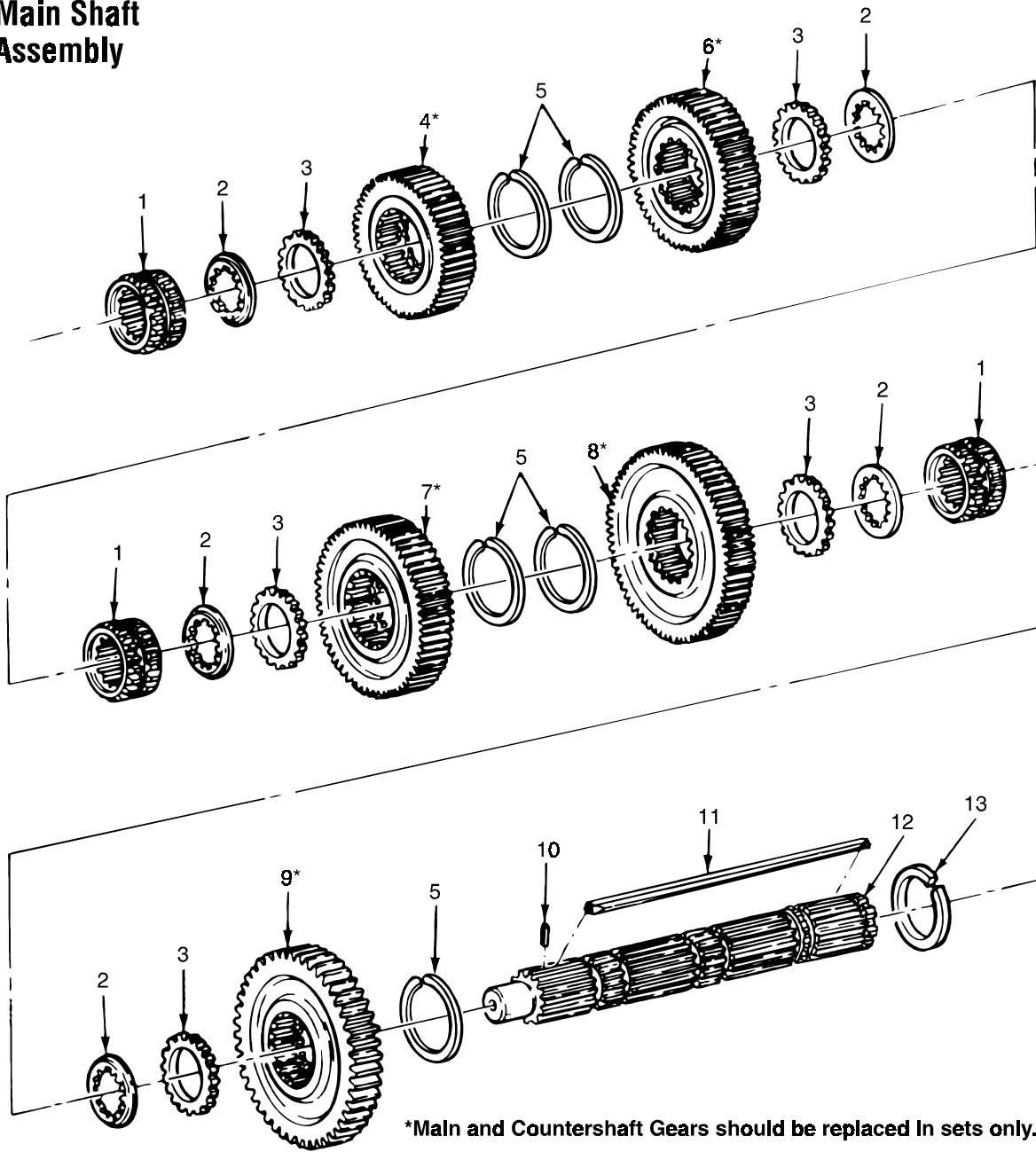
## Main Shaft Assembly A-Ratio Overdrive

Item	Qty.	Part Number	Description
1	3	3107-G-1073	Clutch Collar
2	AR	42X-1412	Thrust Wshr, (6.90 mm)
	AR	42X-1413	Thrust Wshr, (7.00 mm)
	AR	42X-1414	Thrust Wshr, (7.10 mm)
3	5	1244-M-2041	Spacer, (Main Shaft Gears)
4	1	3892-W-5015	M/S Gear, Overdrive (50T)
5	5	1229-W-4625	Snap Ring, (Main Shaft Gears)
6	1	3892-G-5025	M/S Gear, 3rd (60T)
7	1	3892-M-5395	M/S Gear, 2nd (64T)
8	1	3892-F-5414	M/S Gear, 1st (66T)
9	1	3892-L-5030	M/S Gear, Reverse (48T)
10	1	43X-1158	Pin, (Roll)
11	1	16X-1028	Key, (Mainshaft)
12	1	3297-J-1336	Main Shaft
13	1	1229-W-4339	Snap Ring, (Main Shaft Key)

**NOTE:** For parts not specific to Meritor's TORQ-2 transmission, refer to PB-94134.



**Main Shaft Assembly**



**\*Main and Countershaft Gears should be replaced in sets only.**

**MSA0002**

**NOTE:** For parts not specific to Meritor's TORQ-2 transmission, refer to PB-94134.

# Main Gear



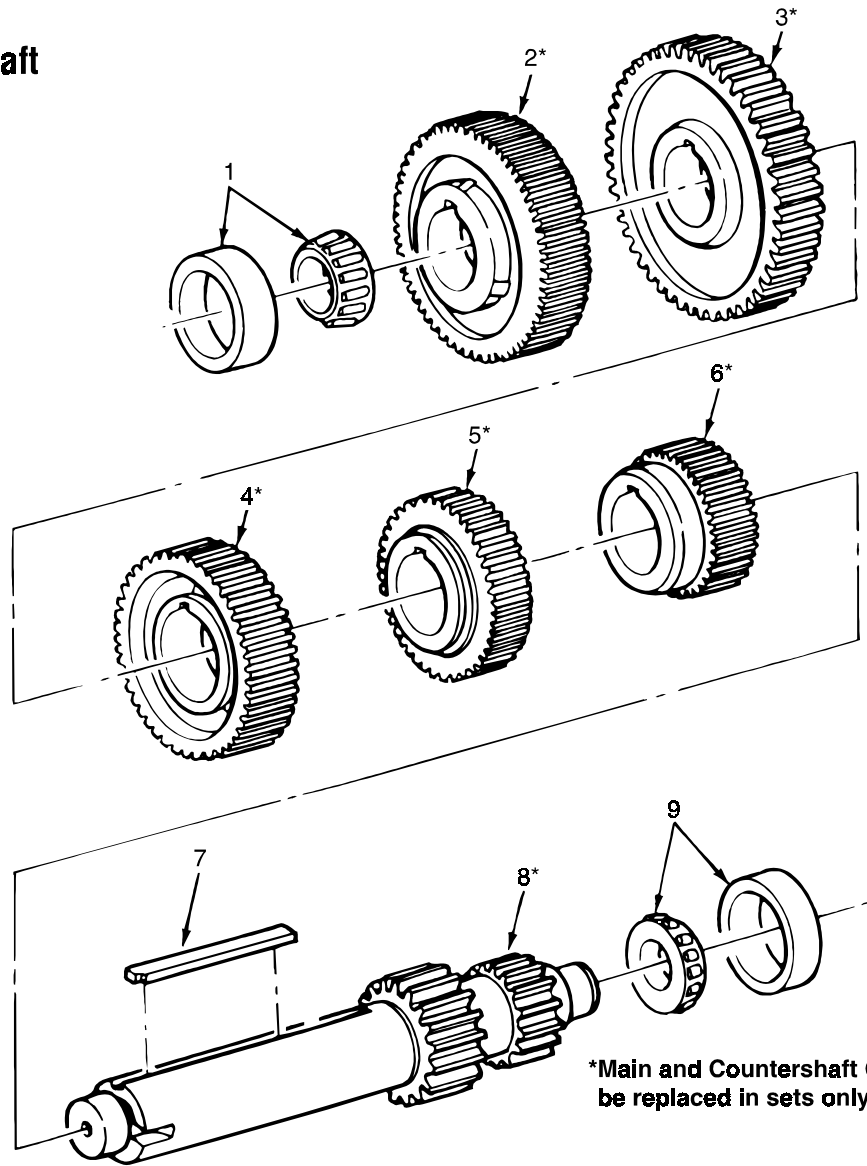
## Main Shaft Assembly C-Ratio Overdrive

Item	Qty.	Part Number	Description
1	3	3107-G-1073	Clutch Collar
2	AR	42X-1412	Thrust Wshr, (6.90 mm)
	AR	42X-1413	Thrust Wshr, (7.00 mm)
	AR	42X-1414	Thrust Wshr, (7.10 mm)
3	5	1244-M-2041	Spacer, (Main Shaft Gears)
4	1	3892-N-5474	Main Shaft
5	5	1229-W-4625	Snap Ring, (Main Shaft Gears)
6	1	3892-Q-5477	M/S Gear
7	1	3892-R-5478	M/S Gear
8	1	3892-F-5414	M/S Gear, 1st (66T)
9	1	3892-L-5030	M/S Gear, Reverse (48T)
10	1	43X-1158	Pin, (Roll)
11	1	16X-1028	Key, (Mainshaft)
12	1	3297-J-1336	Main Shaft
13	1	1229-W-4339	Snap Ring, (Main Shaft Key)

**NOTE:** For parts not specific to Meritor's TORQ-2 transmission, refer to PB-94134.



**Main  
Countershaft  
Assembly**

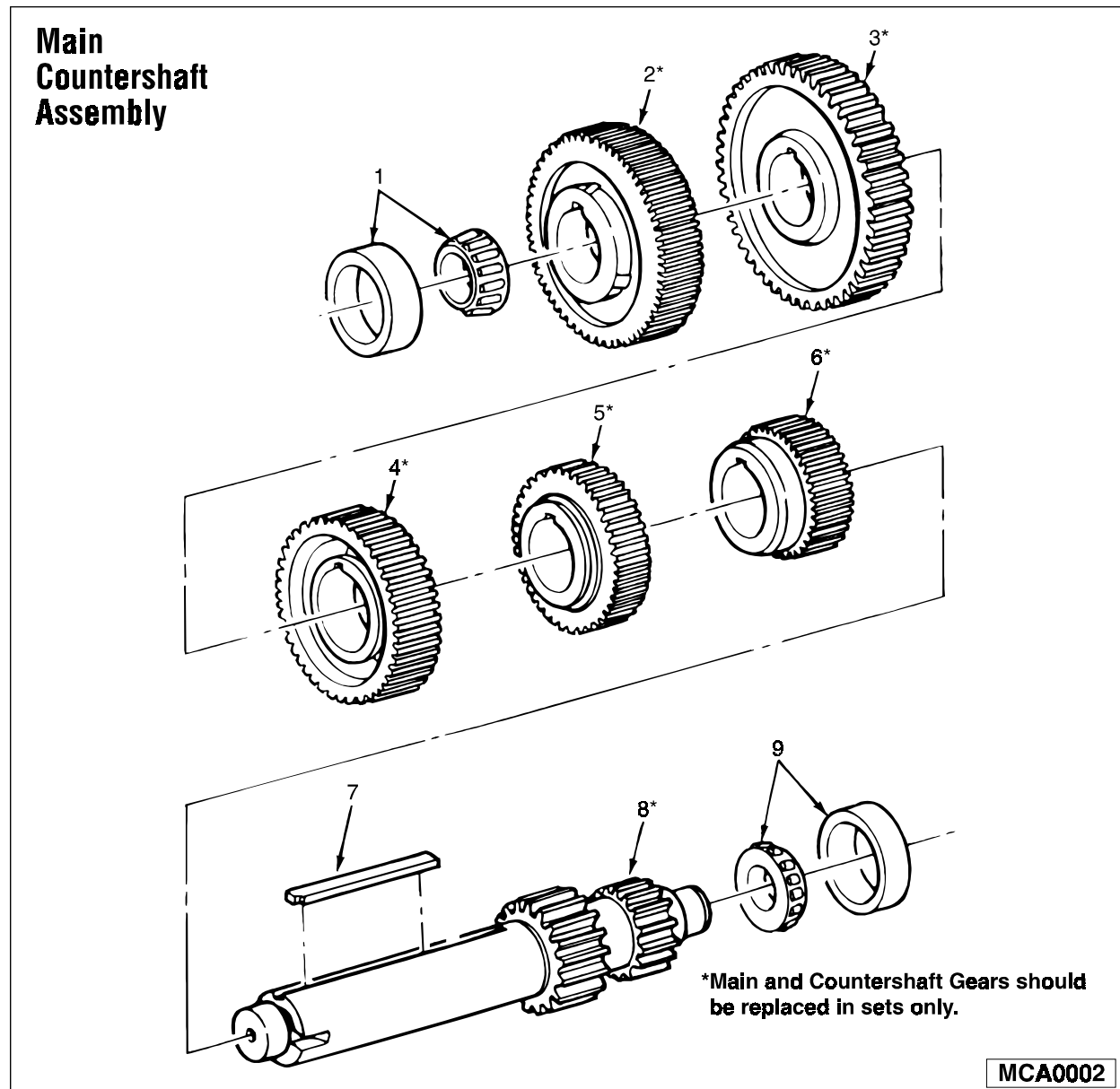


MCA0002

**Main Countershaft Assembly Direct Drive**

Item	Qty.	Part Number	Description
1	2	A-1228-T-1346	Bearing Assy, Cup & Cone (Main Countershaft Front)
2	2	3892-Q-5035	C/S Gear, Drive (66T)
3	2	3892-U-5013	C/S Gear, PTO (45T)
4	2	3892-Y-5017	C/S Gear, (59T)
5	2	3892-S-5011	C/S Gear, 3rd (43T)
6	2	3892-N-5396	C/S Gear, 2nd (34T)
7	2	16X-1031	Key, (Countershaft)
8	2	3297-N-1366	Countershaft
9	2	A-1228-S-1345	Bearing Assy, Cup & Cont (Main Countershaft Rear)

**NOTE:** For parts not specific to Meritor's TORQ-2 transmission, refer to PB-94134.



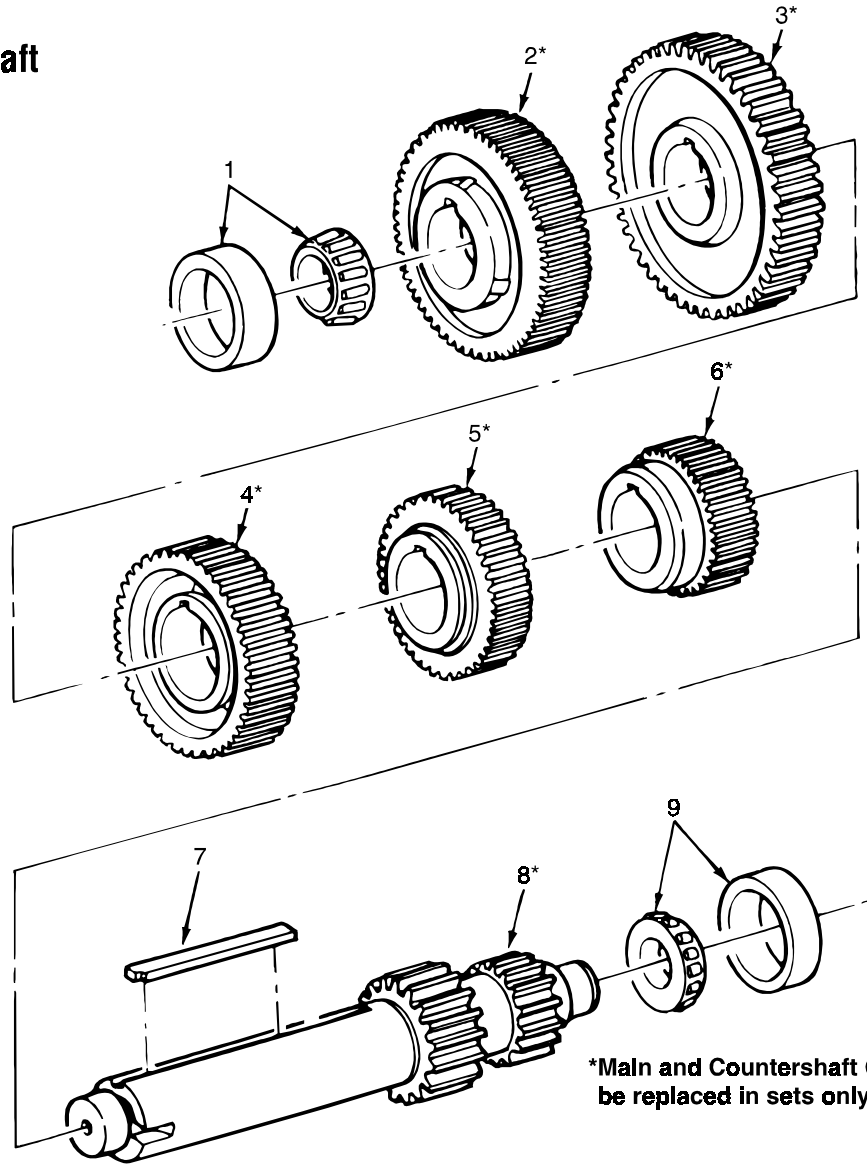
## Main Countershaft Assembly A-Ratio Overdrive

Item	Qty.	Part Number	Description
1	2	A-1228-T-1346	Bearing Assy, Cup & Cone (Main Countershaft Front)
2	2	3892-K-5159	C/S Gear, Drive (59T)
3	2	3892-U-5013	C/S Gear, PTO (45T)
4	2	3892-H-5156	C/S Gear, Overdrive (66T)
5	2	3892-S-5011	C/S Gear, 3rd (43T)
6	2	3892-N-5396	C/S Gear, 2nd (34T)
7	2	16X-1031	Key, (Countershaft)
8	2	3297-N-1366	Countershaft
9	2	A-1228-S-1345	Bearing Assy, Cup & Cont (Main Countershaft Rear)

**NOTE:** For parts not specific to Meritor's TORQ-2 transmission, refer to PB-94134.



**Main Countershaft Assembly**



MCA0002

**Main Countershaft Assembly C-Ratio Overdrive**

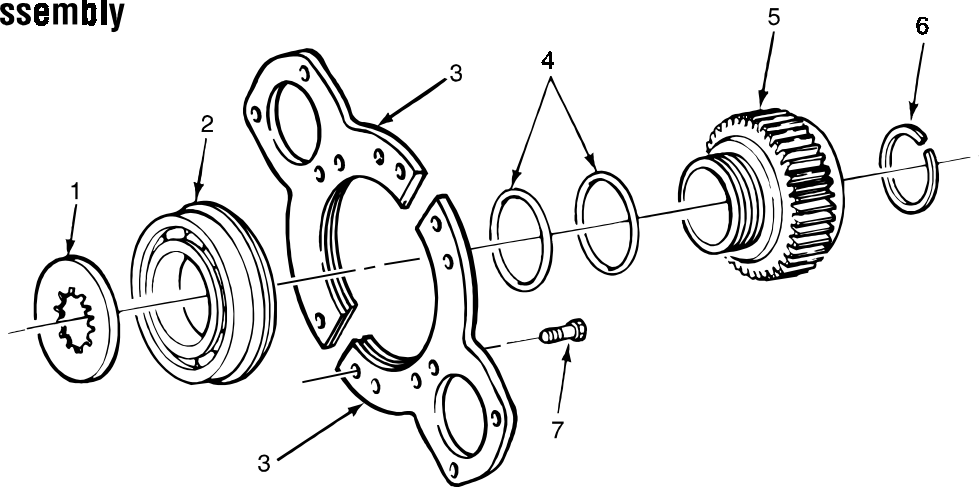
Item	Qty.	Part Number	Description
1	2	A-1228-T-1346	Bearing Assy, Cup & Cone (Main Countershaft Front)
2	2	3892-S-5479	C/S Gear, Drive (62T)
3	2	3892-U-5013	C/S Gear, PTO (45T)
4	2	3892-V-5482	C/S Gear
5	2	3892-T-5480	C/S Gear
6	2	3892-U-5481	C/S Gear
7	2	16X-1031	Key, (Countershaft)
8	2	3297-N-1366	Countershaft
9	2	A-1228-S-1345	Bearing Assy, Cup & Cont (Main Countershaft Rear)

**NOTE:** For parts not specific to Meritor's TORQ-2 transmission, refer to PB-94134.

# Auxiliary Case Assembly



## Auxiliary Drive Gear Assembly



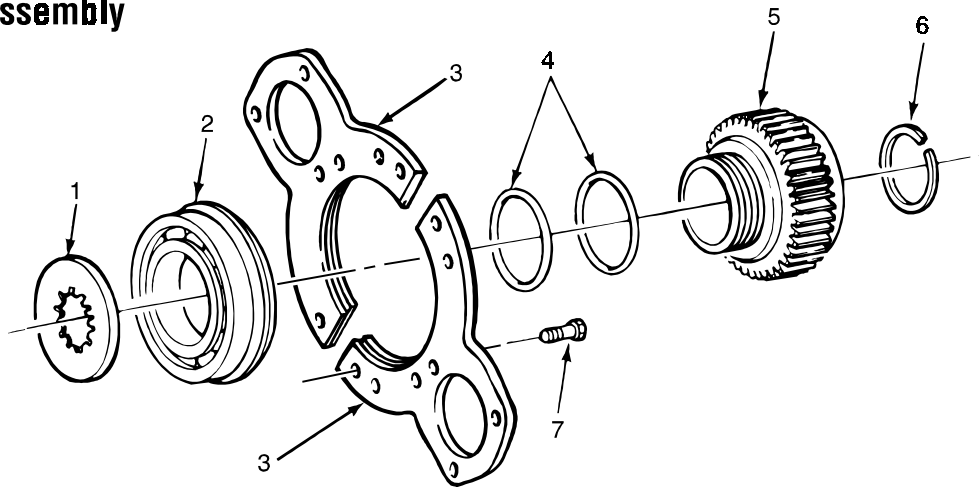
ADG0002

### Auxiliary Drive Gear Assembly A-Ratio (Direct & Overdrive)

Item	Qty.	Part Number	Description
1	1	42X-1250	Thrust Wshr
2	1	A-1228-H-1204	Bearing Assy, (Ball)
3	2	3105-Y-1195	Retainer, Rear Main Bearing
4	2	5X-1069	O-Ring
5	1	3892-L-5316	Aux Gear, Drive (38T)
6	1	1229-W-4339	Snap Ring
7	10	S-268-1	Bolt/Capscrew, 3/8"-16UNC-2

**NOTE:** For parts not specific to Meritor's TORQ-2 transmission, refer to PB-94134.

## Auxiliary Drive Gear Assembly



ADG0002

## Auxiliary Drive Gear Assembly C-Ratio

Item	Qty.	Part Number	Description
1	1	42X-1250	Thrust Wshr
2	1	A-1228-H-1204	Bearing Assy, (Ball)
3	2	3105-Y-1195	Retainer, Rear Main Bearing
4	2	5X-1069	O-Ring
5	1	3892-W-5483	Aux Gear, Drive
6	1	1229-W-4339	Snap Ring
7	10	S-268-1	Bolt/Capscrew, 3/8"-16UNC-2

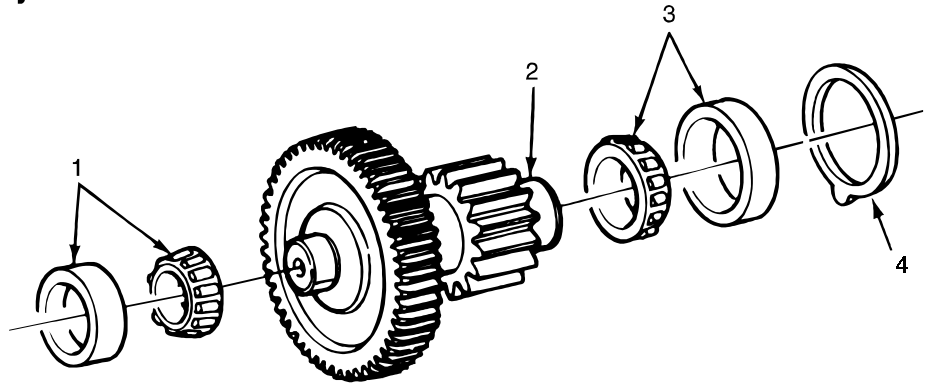
**NOTE:** For parts not specific to Meritor's TORQ-2 transmission, refer to PB-94134.



# Auxiliary Case Assembly



## Auxiliary Countershaft Assembly



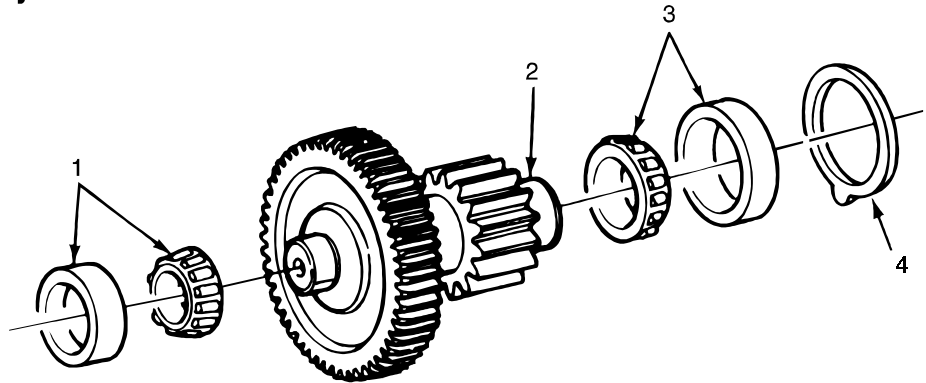
ACA0003

### Auxiliary Countershaft Assembly A-Ratio (Direct Drive & Overdrive)

Item	Qty.	Part Number	Description
1	2	3297-H-1282	Countershaft, Cup & Cone (Front)
2	2	3297-J-1284	Countershaft, (Aux.) NOTE: Auxiliary countershafts should be replaced in sets only.
3	2	A-1228-U-1347	Bearing Assy, Cup & Cone (Rear)
4	AR	1229-N-4538	Spacer Washer, Aux. Countershaft Selective (6.431 mm - Blue)
	AR	1229-P-4540	Spacer Washer, Aux. Countershaft Selective (6.563 mm - Green)
	AR	1229-Q-4541	Spacer Washer, Aux. Countershaft Selective (6.696 mm - Yellow)
	AR	1229-R-4542	Spacer Washer, Aux. Countershaft Selective (6.828 mm - White)
	AR	1229-S-4543	Spacer Washer, Aux. Countershaft Selective (6.690 mm - Purple)
	AR	1229-T-4544	Spacer Washer, Aux. Countershaft Selective (7.092 mm - Orange)
	AR	1229-U-4545	Spacer Washer, Aux. Countershaft Selective (7.224 mm - White/Blue)
	AR	1229-V-4546	Spacer Washer, Aux. Countershaft Selective (7.356 mm - White/Green)
	AR	1229-W-4547	Spacer Washer, Aux. Countershaft Selective (7.488 mm - White/Yellow)
	AR	1229-X-4548	Spacer Washer, Aux. Countershaft Selective (7.620 mm - White/Purple)
	AR	1229-Y-4549	Spacer Washer, Aux. Countershaft Selective (7.752 mm - White/Orange)

**NOTE:** For parts not specific to Meritor's TORQ-2 transmission, refer to PB-94134.

## Auxiliary Countershaft Assembly



ACA0003

## Auxiliary Countershaft Assembly C-Ratio (Direct Drive & Overdrive)

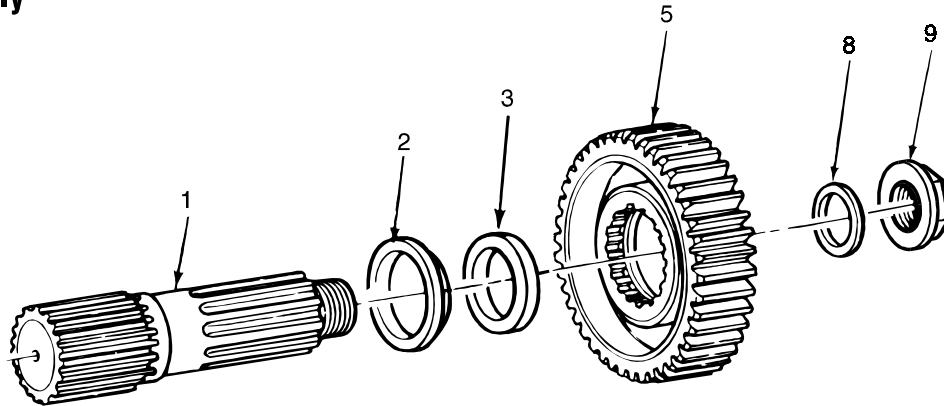
Item	Qty.	Part Number	Description
1	2	3297-H-1282	Countershaft, Cup & Cone (Front)
2	2	3297-L-1390	Countershaft, (Aux.) NOTE: Auxiliary countershafts should be replaced in sets only.
3	2	A-1228-U-1347	Bearing Assy, Cup & Cone (Rear)
4	AR	1229-N-4538	Spacer Washer, Aux. Countershaft Selective (6.431 mm - Blue)
	AR	1229-P-4540	Spacer Washer, Aux. Countershaft Selective (6.563 mm - Green)
	AR	1229-Q-4541	Spacer Washer, Aux. Countershaft Selective (6.696 mm - Yellow)
	AR	1229-R-4542	Spacer Washer, Aux. Countershaft Selective (6.828 mm - White)
	AR	1229-S-4543	Spacer Washer, Aux. Countershaft Selective (6.690 mm - Purple)
	AR	1229-T-4544	Spacer Washer, Aux. Countershaft Selective (7.092 mm - Orange)
	AR	1229-U-4545	Spacer Washer, Aux. Countershaft Selective (7.224 mm - White/Blue)
	AR	1229-V-4546	Spacer Washer, Aux. Countershaft Selective (7.356 mm - White/Green)
	AR	1229-W-4547	Spacer Washer, Aux. Countershaft Selective (7.488 mm - White/Yellow)
	AR	1229-X-4548	Spacer Washer, Aux. Countershaft Selective (7.620 mm - White/Purple)
	AR	1229-Y-4549	Spacer Washer, Aux. Countershaft Selective (7.752 mm - White/Orange)

**NOTE:** For parts not specific to Meritor's TORQ-2 transmission, refer to PB-94134.

# Auxiliary Case Assembly



## Output Shaft Assembly



OSA0003

## Output Shaft Assembly

Item	Qty.	Part Number	Description
1	1	3297-V-1322	O/P Shaft
2	1	1244-W-2103	Spacer, (Output Shaft)
3	1	1244-X-2104	Spacer, (Output Bearing)
5	1	3892-P-5346	Aux Gear, Low (58T)
8	1	1244-Z-1820	Flat Wshr
9	1	1227-W-1375	Nut, (Yoke)

**NOTE:** For parts not specific to Meritor's TORQ-2 transmission, refer to PB-94134.



**MERITOR**  
A Heritage of Rockwell Technology

**Meritor Heavy Vehicle Systems, LLC**  
2135 West Maple Road  
Troy, MI 48084 U.S.A.  
800-535-5560  
[www.meritorauto.com](http://www.meritorauto.com)

Information contained in this publication was in effect at the time the publication was approved for printing and is subject to change without notice or liability. Meritor Heavy Vehicle Systems, LLC, reserves the right to revise the information presented or discontinue the production of parts described at any time.

Copyright 1998  
Meritor Automotive, Inc.  
All Rights Reserved

Printed in the USA  
Please Recycle

PB-9857  
Issued 4-98  
16579/Meritor