

Muncie PTO brought to you by Pro Gear & Transmission

REBUILT MUNCIE PTO

877-776-4600 | 407-872-1901

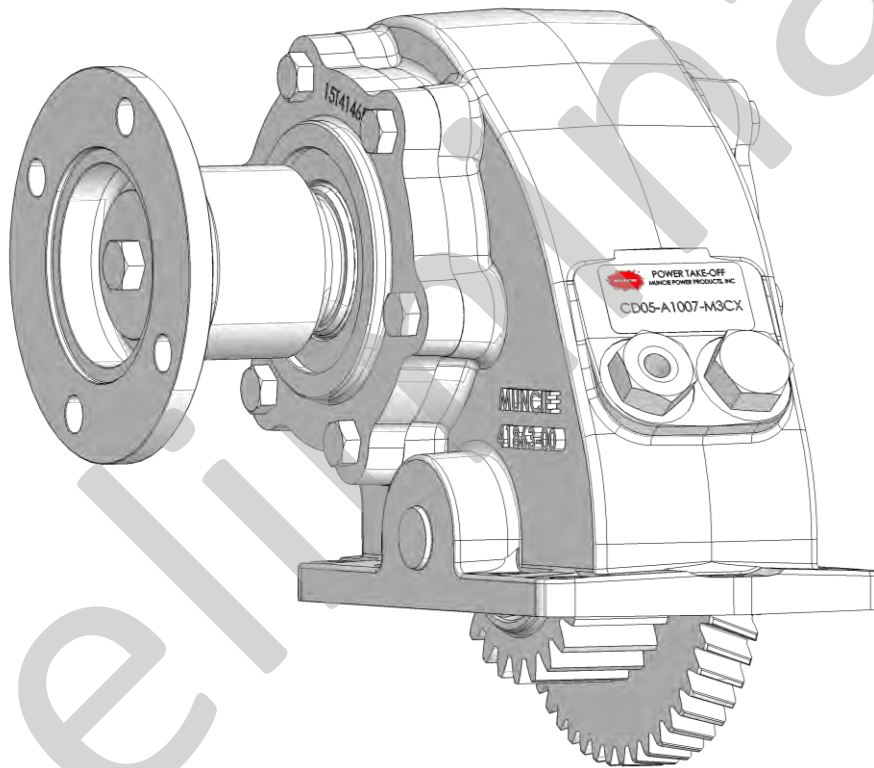
Pro Gear
AND TRANSMISSION

For Muncie PTO parts or service call Pro Gear & Transmission, Inc.
877-776-4600 / 407-872-1901 | parts@progear.com



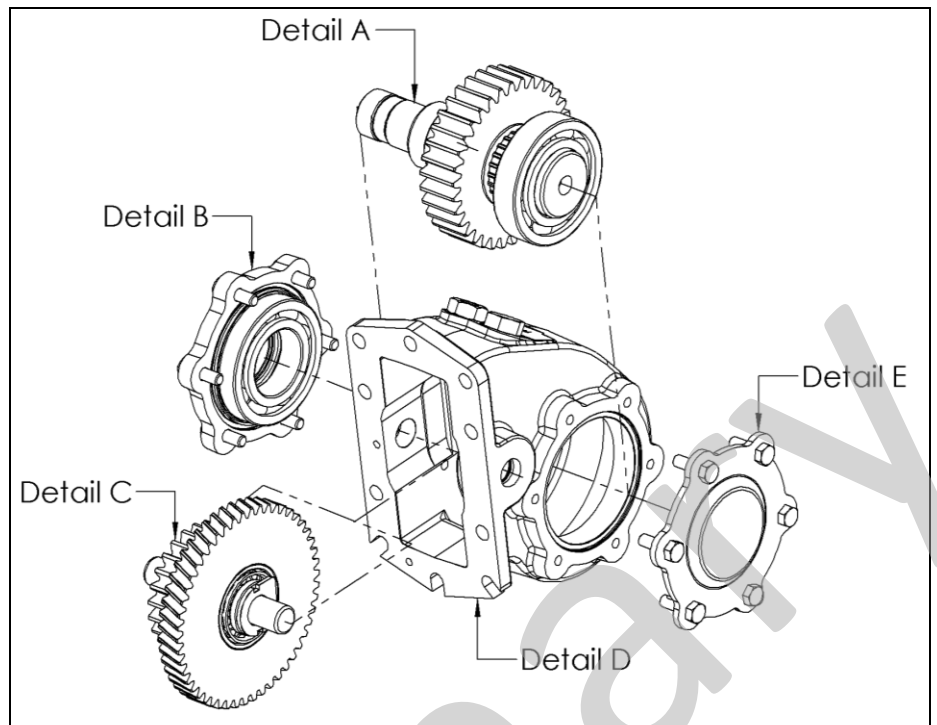
CD05/10 Series PTO

Parts List and Service Manual

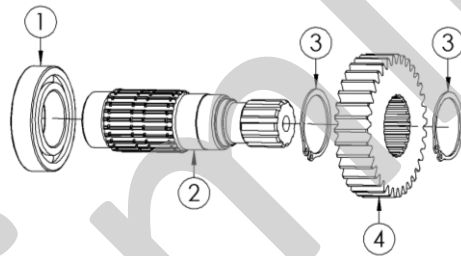


Heavy Duty, Constant Drive PTO
For The Allison World Transmission

CD05/10 Exploded Views

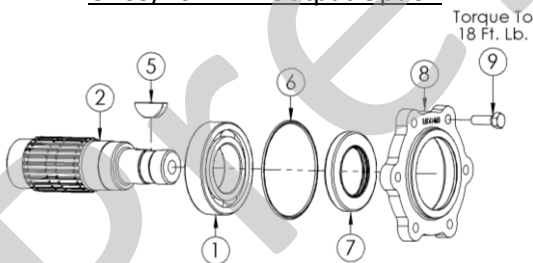


Detail A – Output Shaft Assembly

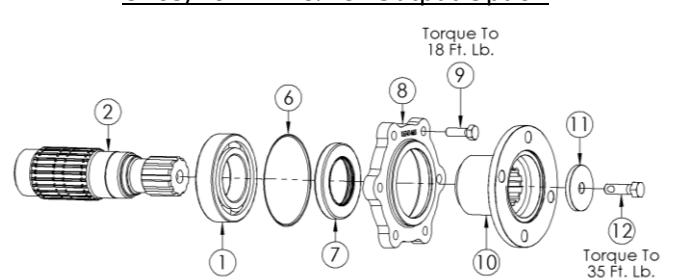


Detail B – Output Options

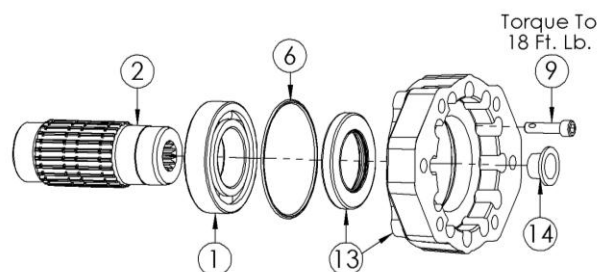
CD05/10 – “B” Output Option



CD05/10 – “2” & “C” Output Option

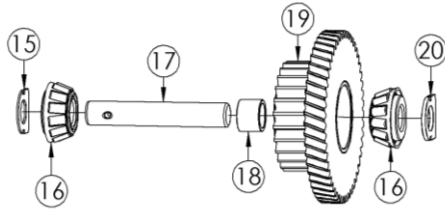


CD10 – Hydraulic Output Option

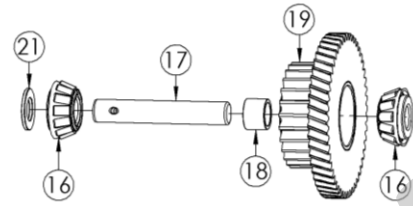


Detail C – Input Shaft Assembly

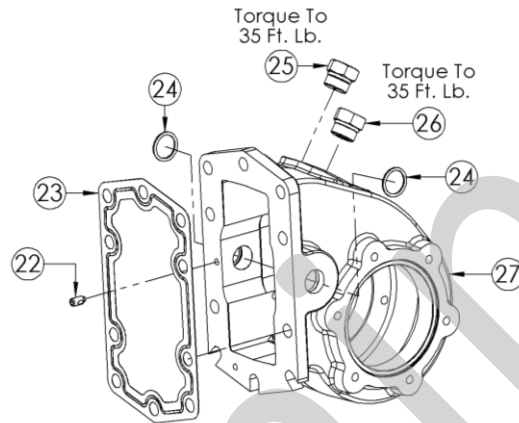
CD05 – Input shaft Assembly



CD10 – Input shaft Assembly

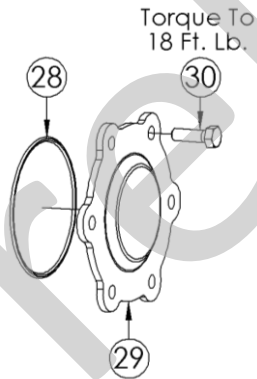


Detail D – PTO Housing Assembly

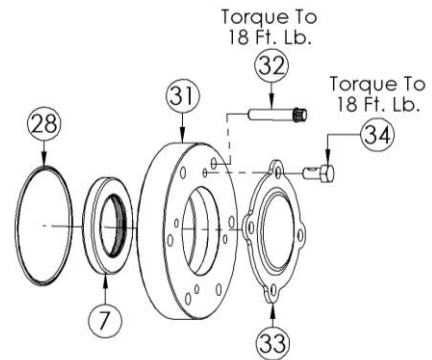


Detail E – Bearing Cover Assembly

CD05/10 – Bearing Cover Assembly



CD10 – Greaseable Bearing Cover Assembly



Parts List and Description

ITEM	QTY	PART NO	DESCRIPTION	ITEM	QTY	PART NO	DESCRIPTION
Detail A				Detail C			
01	2	10T35775	Bearing	15	1	18T41452	CD05 Input Bearing Shim
02	1	See Table A	Output Shaft	16	2	10T35776	Roller Bearing
03	2	24T26980	Snap Ring	17	1	07T35780	Input Shaft
04	1	See Table B	Bell Gear	18	1	See Table E	Cone Spacer
Detail B				Detail D			
05	1	26T01627	Woodruff Key "B"	19	1	See Table E	Input Gear
06	1	12T35773	O-Ring (CD10)	20	1	See Table F	CD05 Input Bearing Shim
	1	12T41793	O-Ring (CD05)	21	1	See Table G	CD10 Input Bearing Spacer
	1	12T36863	O-Ring (B, C & 2 Output Option)	Detail E			
07	2	11T37795	Shaft Seal (Option "G")	22	1	19T35785	Set Screw
	1	11T37795	Shaft Seal	23	1	13T35777	Gasket
08	1	See Table C	Hydraulic Flange	24	2	12T35774	O-ring
09	6	19T32740	Hex Capscrew "2", "B" & "C"	25	1	25T35784	Lubrication Plug
	6	19T31577	Hex Capscrew "D", "P", "Q", "S" & "Z"	26	1	25T35999	Plug
	6	19M84478	Socket Head Capscrew "E", "R" & "Y"	27	1	01T35750	CD10 Housing
	6	19T35386	Socket Head Capscrew "I"		1	01T41864	CD05 Housing
	6	19T34717	12 Pt. Capscrew "IG"	Detail E			
10	1	14T37498	Companion Flange "2"	28	1	12T35773	O-ring
	1	14T31499	Companion Flange "C"	29	1	15T35772	Bearing Cover
11	1	21T20092	Flat Washer "2" & "C"	30	6	19T32740	Hex Capscrew
12	1	19T38266	Hex Capscrew "2" & "C"	31	1	15T39026	Bearing Cover (Option "G")
13	1	See Table D	Flange/Seal Kit	32	6	19M84478	12 Pt. Capscrew (Option "G")
14	1	25T35520	Cap Plug "R"	33	1	15T34323	Shaft Cover (Option "G")
	1	25T35724	Cap Plug "D", "DG", "Q", "S" & "SG"	34	4	19T33134	Hex Capscrew (Option "G")
	1	25T35725	Cap Plug "P"	N.S.	1	43T37236	Grease Zerk "G"
	1	25T35936	Cap Plug "E", "Y", "YG", "Z" & "ZG"				
	1	25T37767	Cap Plug "I" & "IG"				
N.S.	1	48TK4469	CD05/10 Installation Kit Includes: Gasket Pack, Label Pack, Stud Kit & Pressure Lube Kit				
N.S.	1	CD-GSK	CD10 Gasket Kit Includes: (2)6, (1)7, (1)23 & (2)24				
N.S.	1	CD05-GSK	CD05 Gasket Kit Includes: (1)6, (1)7, (1)24, (2)25 & (1)29				
N.S.	1	CD-RBK	CD10 Rebuild Kit Includes: (2)1, (2)3, (2)6, (1)7, (2)16, (1)23 & (2)24				
N.S.	1	CD05-RBK	CD05 Rebuild Kit Includes: (2)1, (2)3, (1)6, (1)7, (2)16, (1)23, (2)24 & (1)28				

Tables A-H

Table A – Output Shaft (Item 2)

PART NO	DESCRIPTION
06T35972	Output Shaft "B": 1.3" Rd.
06T35763	Output Shaft "2" & "C": 1.5" – 10T SPL
06T35764	Output Shaft "D", "Q" & "S": 7/8" – 13T SPL
06T35765	Output Shaft "E", "Y" & "Z": 1.25" – 14T SPL
06T36831	Output Shaft "I": DIN 5462 36mm – 8T SPL
06T37187	Output Shaft "P": 1" – 15T SPL
06T37723	Output Shaft "R": 5/8" – 9T SPL
06T41172	Output Shaft "T": 3/4" – 11T SPL
06T37374	Output Shaft "IG": Greaseable DIN 5462 36mm – 8T SPL
06T38197	Output Shaft "PG": Greaseable 1" – 15T SPL
06T38264	Output Shaft "DG" & "SG": Greaseable 7/8" – 13T SPL
06T40647	Output Shaft "EG", "YG" & "ZG": Greaseable 1.25" – 14T SPL
06T37186	Output Shaft "IW": Wetspline DIN 5462

Table B – Bell Gear (Item 4)

PART NO	DESCRIPTION
02T35753	Bell Gear 05 (38T)
02T35920	Bell Gear 06 (36T)
02T35756	Bell Gear 07 (34T)
02T35759	Bell Gear 08 (32T)
02T35762	Bell Gear 10 (30T)
02T39067	Bell Gear 12 (28T)
02T39068	Bell Gear 15 (26T)

Table C – Hydraulic Flange (Item 8)

PART NO	DESCRIPTION
14T35769	Hydraulic Flange "E"
14T36007	Hydraulic Flange "Y"
14T36834	Hydraulic Flange "I"
14T37474	Hydraulic Flange "S"
14T37724	Hydraulic Flange "R" & "Q"
14T35970	Hydraulic Flange "IG", "IW" (Breather 44M30137 Required)
15T41465	Bearing Cover "2", "B" & "C"

Table D – Flange/Seal Kit (Item 13)

PART NO	DESCRIPTION	COMPONENTS
14TA4651	"D", "P" & "Z" Flange/Seal Assembly	Includes: 14T35767 Hydraulic Flange & 11T37795 Output Shaft Seal

Muncie Power Products, Inc.

Table E – Cone Spacer (Item 18) & Input Gear (Item 19) Assembly

Purchase input gear assembly (Item 19 – 03TAXXXX) which includes the correct cone spacer (item 18).

ASSY NO	DESCRIPTION	GEAR NO
03TA4624	A1005 Input Gear (50T/21T)	03T35752
03TA4625	A1006 Input Gear (50T/23T)	03T35919
03TA4626	A1007 Input Gear (50T/25T)	03T35755
03TA4627	A1008 Input Gear (50T/27T)	03T35758
03TA4628	A1010 Input Gear (50T/29T)	03T35761
03TA4629	A1012 Input Gear (50T/32T)	03T36545
03TA4630	A1015 Input Gear (50T/35T)	03T38830
03TA4978	C9505 Input Gear (45T/21T)	03T40237
03TA4979	C9506 Input Gear (45T/23T)	03T40217
03TA4980	C9507 Input Gear (45T/25T)	03T40218
03TA4981	C9508 Input Gear (45T/27T)	03T40219
03TA4982	C9510 Input Gear (45T/29T)	03T40220
03TA4983	C9512 Input Gear (45T/32T)	03T40221
03TA4984	C9515 Input Gear (45T/35T)	03T40222

The cone spacer installs between the tapered input bearings to set the bearing preload at .002" - .006" loose; critical dimension.
See page 3 for visual detail.

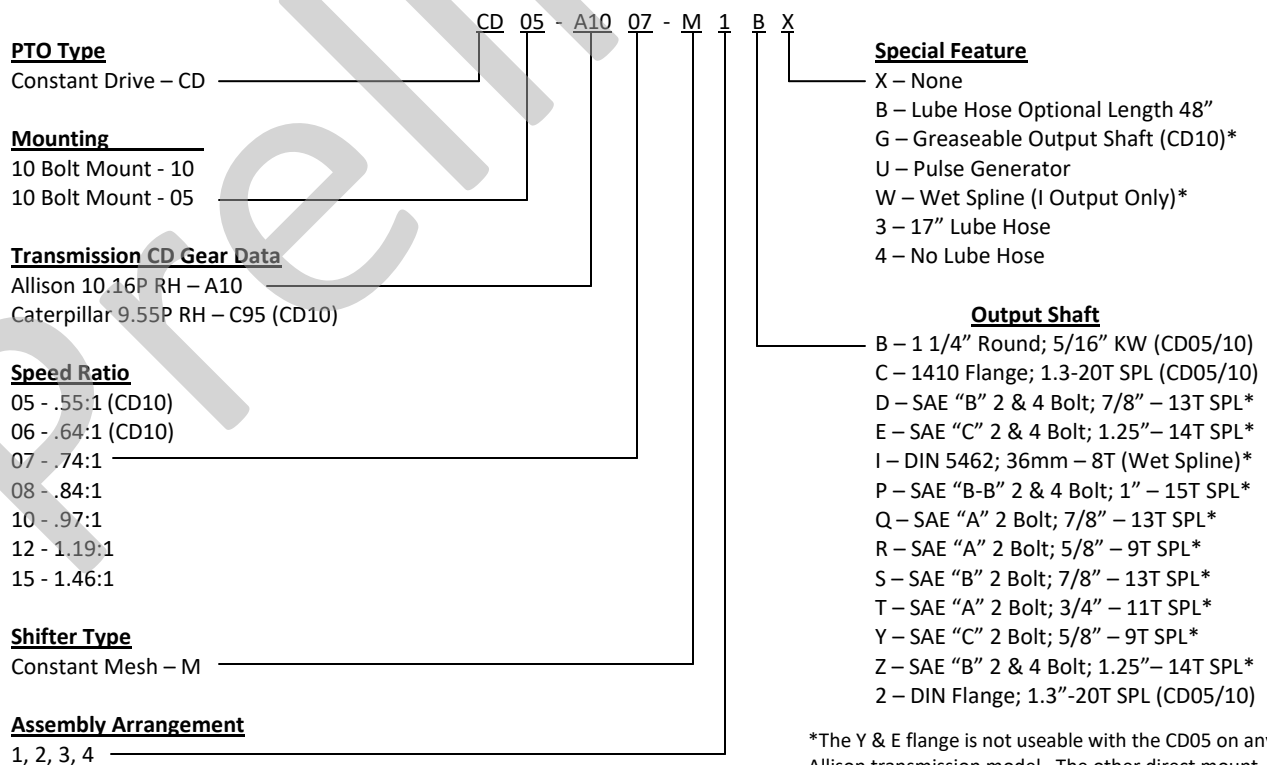
Table F – CD05 Input Bearing Shim (Item 20) – Only 1 Is Used

PART NO	DESCRIPTION	DIMENSION
18T41437	Bearing Shim	(.1150"/.1130")
18T41438	Bearing Shim	(.1175"/.1155")
18T41439	Bearing Shim	(.1200"/.1180")
18T41440	Bearing Shim	(.1225"/.1205")
18T41441	Bearing Shim	(.1250"/.1230")
18T41442	Bearing Shim	(.1275"/.1255")
18T41443	Bearing Shim	(.1300"/.1280")
18T41444	Bearing Shim	(.1325"/.1305")
18T41445	Bearing Shim	(.1350"/.1330")
18T41446	Bearing Shim	(.1375"/.1355")
18T41447	Bearing Shim	(.1400"/.1380")
18T41448	Bearing Shim	(.1425"/.1405")
18T41449	Bearing Shim	(.1450"/.1430")
18T41450	Bearing Shim	(.1475"/.1455")
18T41451	Bearing Shim	(.1500"/.1480")

Table G – CD10 Input Bearing Spacer (Item 21) – Only 1 Is Used

PART NO	DESCRIPTION	DIMENSION
18T35783	Bearing Spacer	(.1150"/.1130")
18T38725	Bearing Spacer	(.1175"/.1155")
18T35782	Bearing Spacer	(.1200"/.1180")
18T38726	Bearing Spacer	(.1225"/.1205")
18T35781	Bearing Spacer	(.1250"/.1230")
18T38727	Bearing Spacer	(.1275"/.1255")
18T36230	Bearing Spacer	(.1300"/.1280")
18T38728	Bearing Spacer	(.1325"/.1305")
18T36229	Bearing Spacer	(.1350"/.1330")
18T38729	Bearing Spacer	(.1375"/.1355")
18T37151	Bearing Spacer	(.1400"/.1380")
18T38730	Bearing Spacer	(.1425"/.1405")
18T37152	Bearing Spacer	(.1450"/.1430")
18T38731	Bearing Spacer	(.1475"/.1455")
18T37153	Bearing Spacer	(.1500"/.1480")

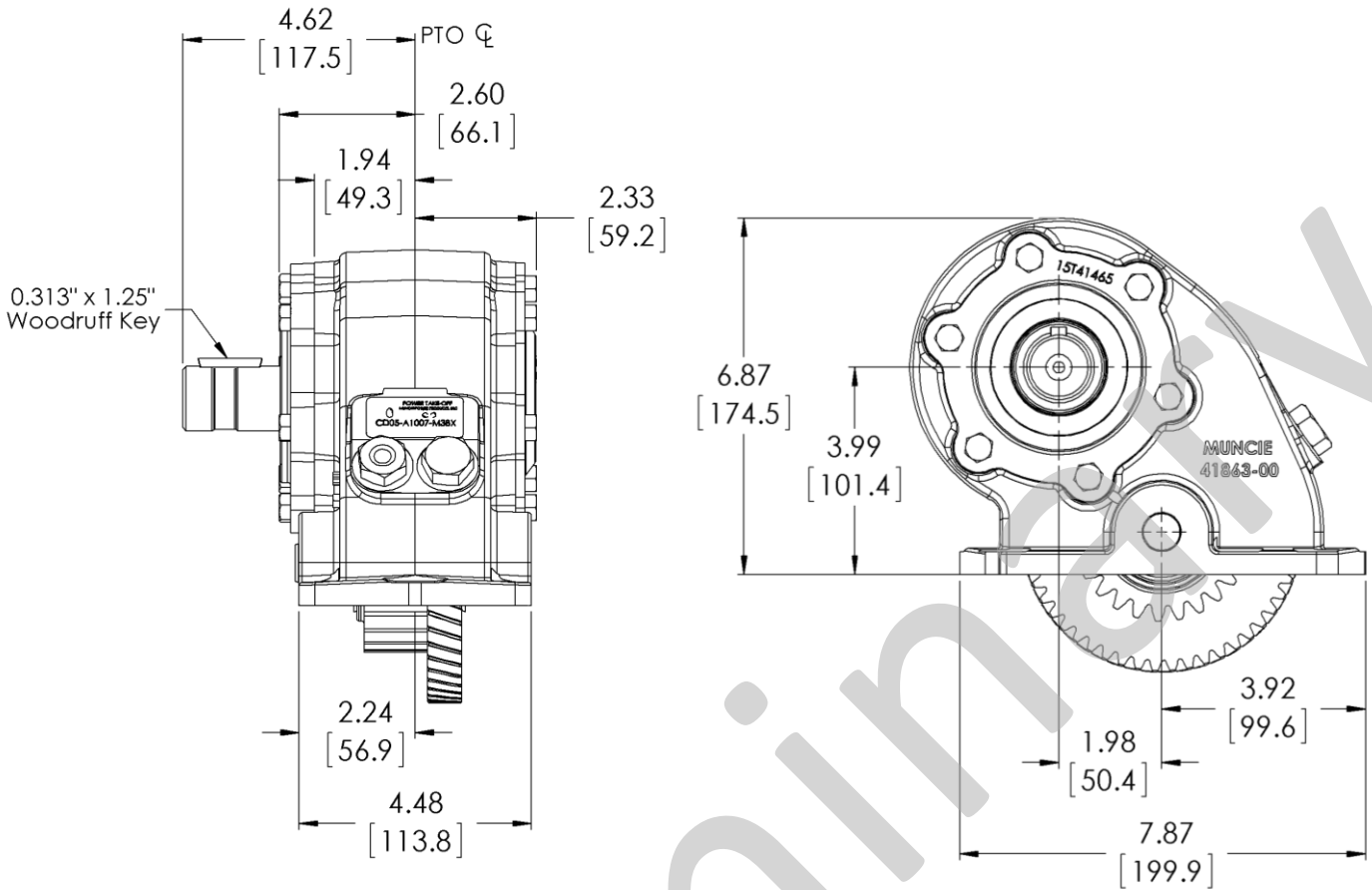
CD05/10 Model Number Construction



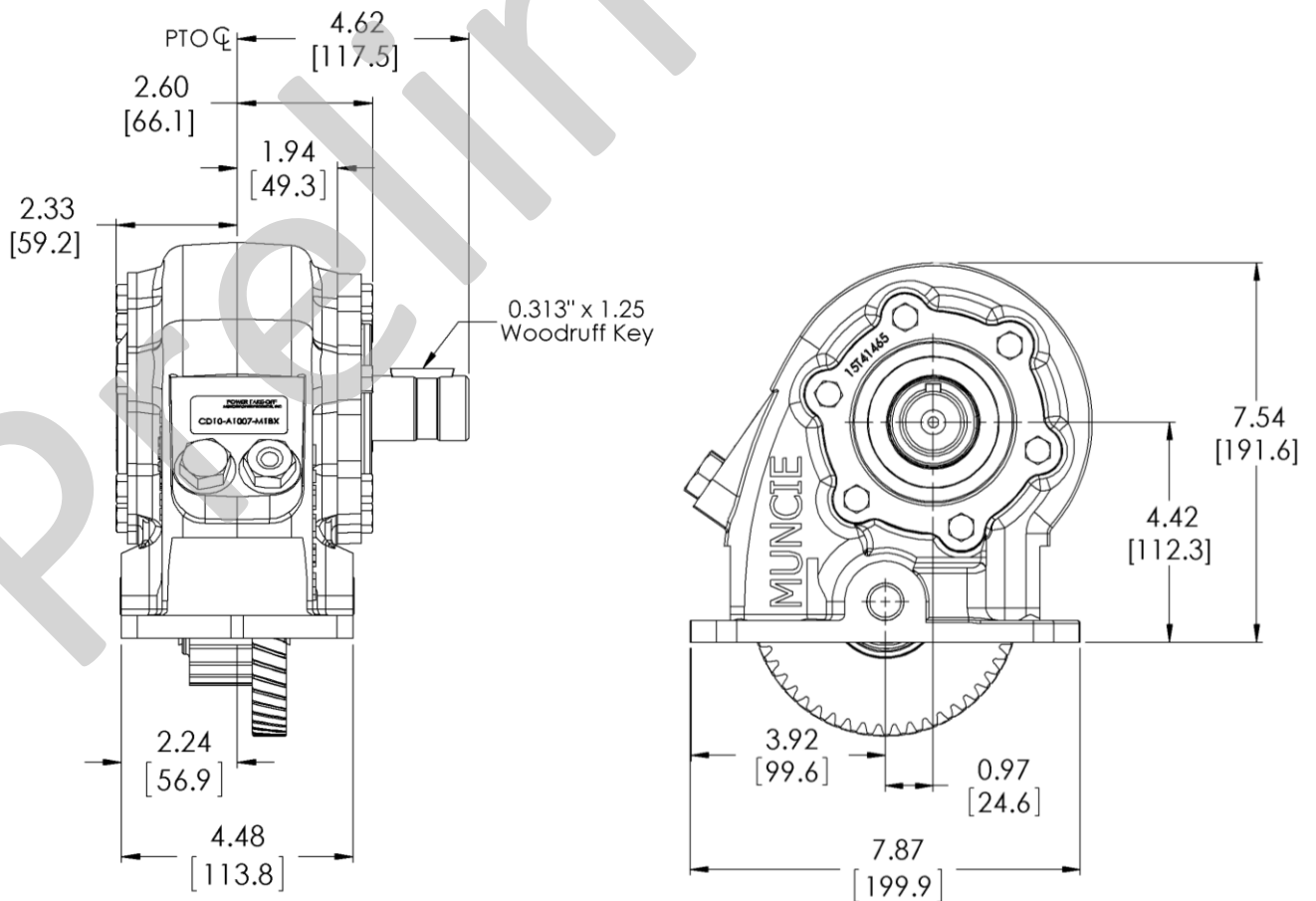
*The Y & E flange is not useable with the CD05 on any Allison transmission model. The other direct mount flanges are not useable with the CD05 on the Allison 4000, but are useable on the Allison 3000 series transmission.

Dimensions

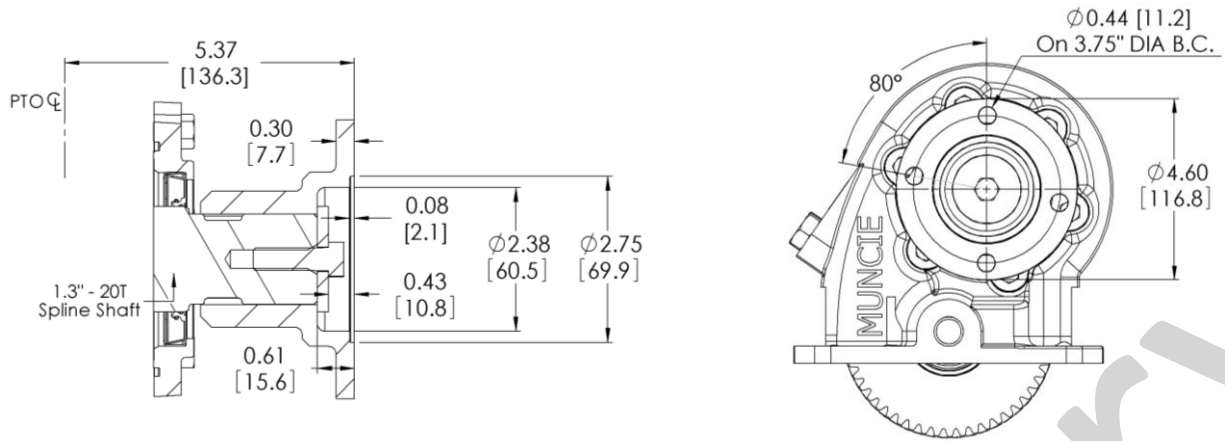
"B" Output Option – 1 1/4" Round Keyed Shaft (CD05)



"B" Output Option – 1 1/4" Round Keyed Shaft (CD10)



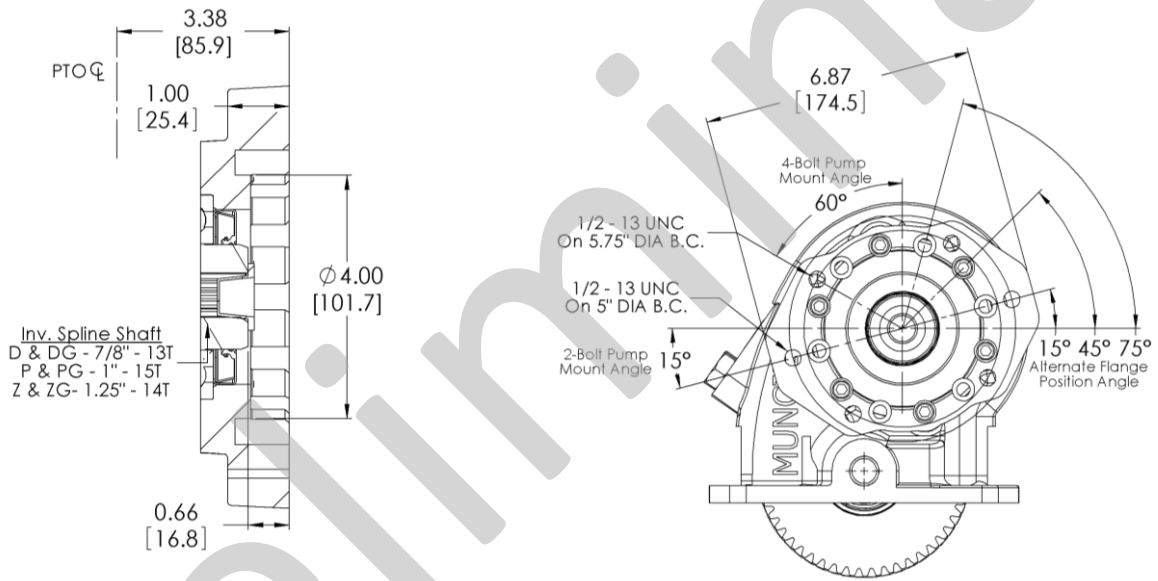
"C" Output Option – 1.5" – 10T w/ 1410 Series Flange



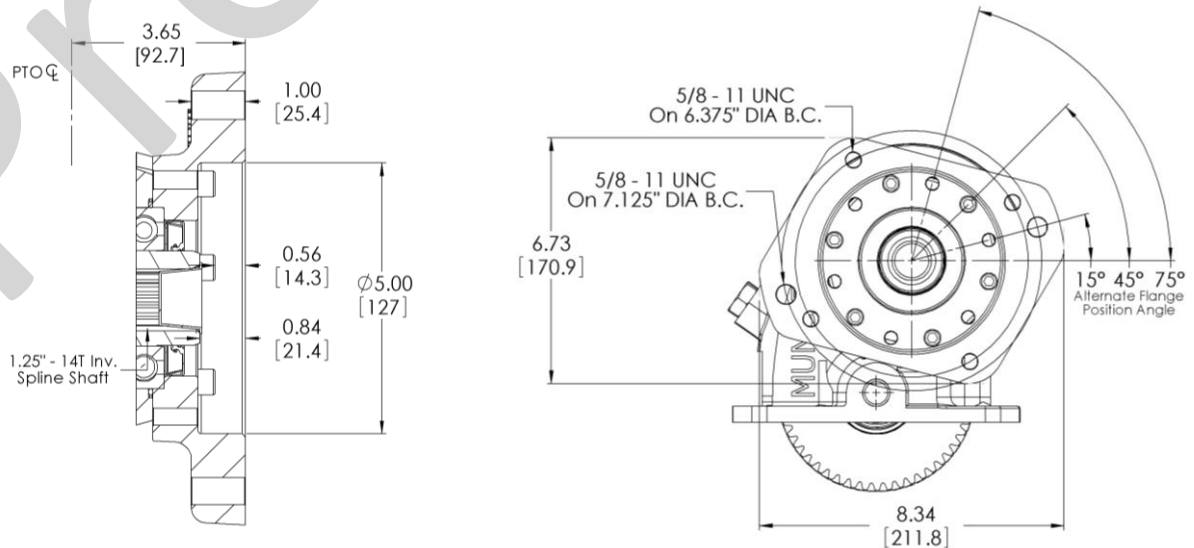
"P" & "PG (Greaseable)" Output Option – SAE 'B-B' 2 & 4 Bolt w/ 1" – 15T

"D" & "DG (Greaseable)" Output Option – SAE 'B' 2 & 4 Bolt w/ 7/8" – 13T

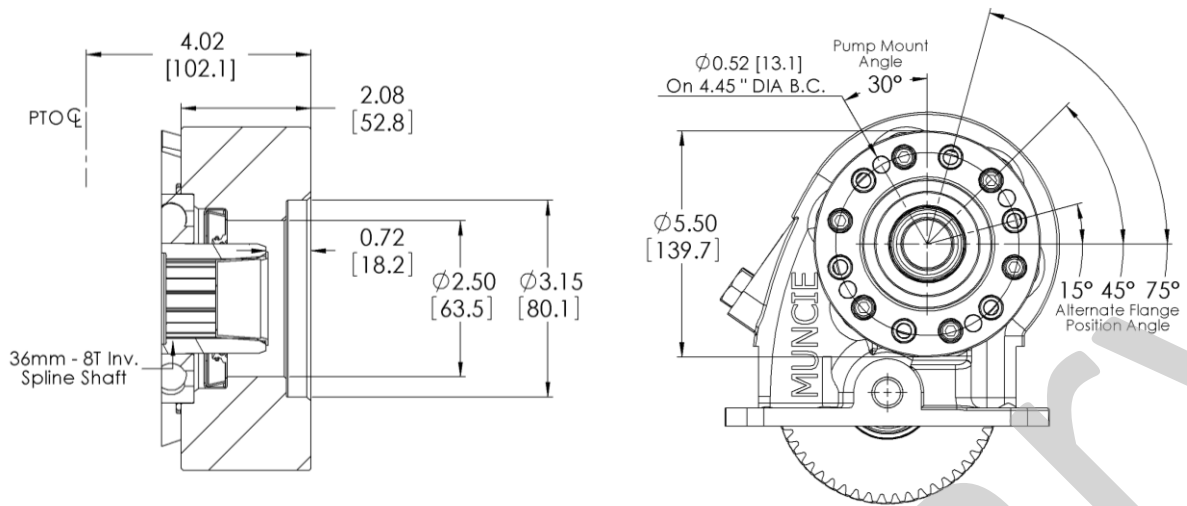
"Z" & "ZG (Greaseable)" Output Option – SAE 'B' 2 & 4 Bolt Flange w/ 1.25" – 14T SAE 'C' Shaft



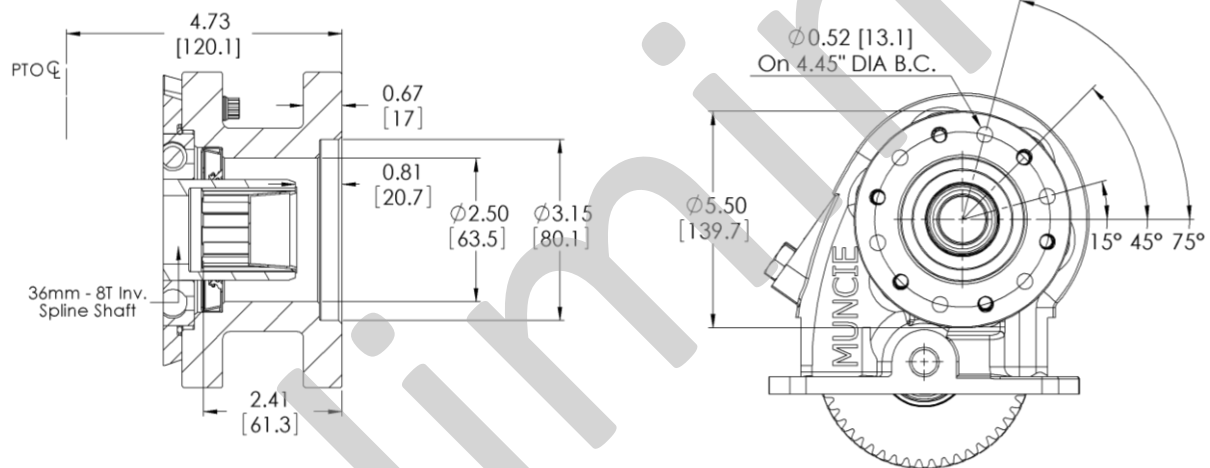
"E" & "EG" Output Option – SAE 'C' 2 & 4 Bolt w/ 1.25" – 14T



"I" Output Option – DIN 5462 w/ 36mm – 8T



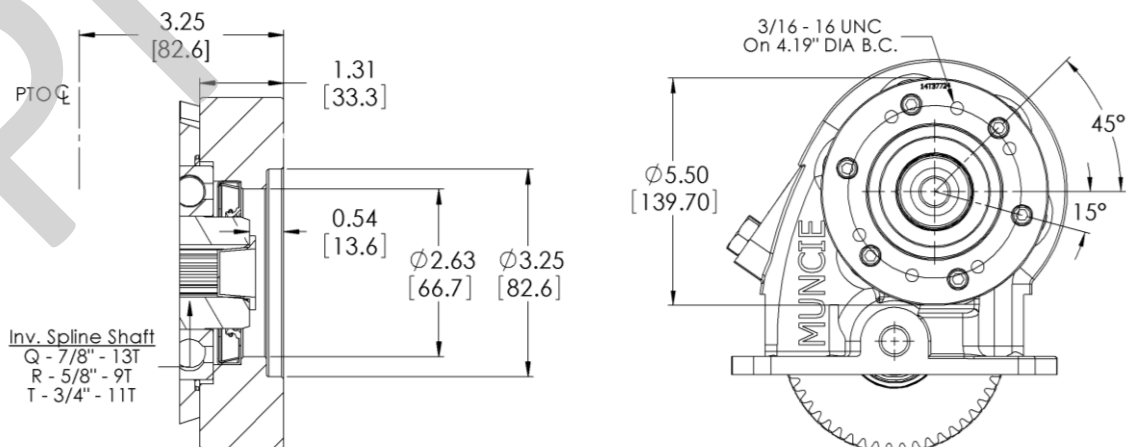
"IG (Greaseable)" & "IW" (Wetspline) Output Option – DIN 5462 w/ 36mm – 8T



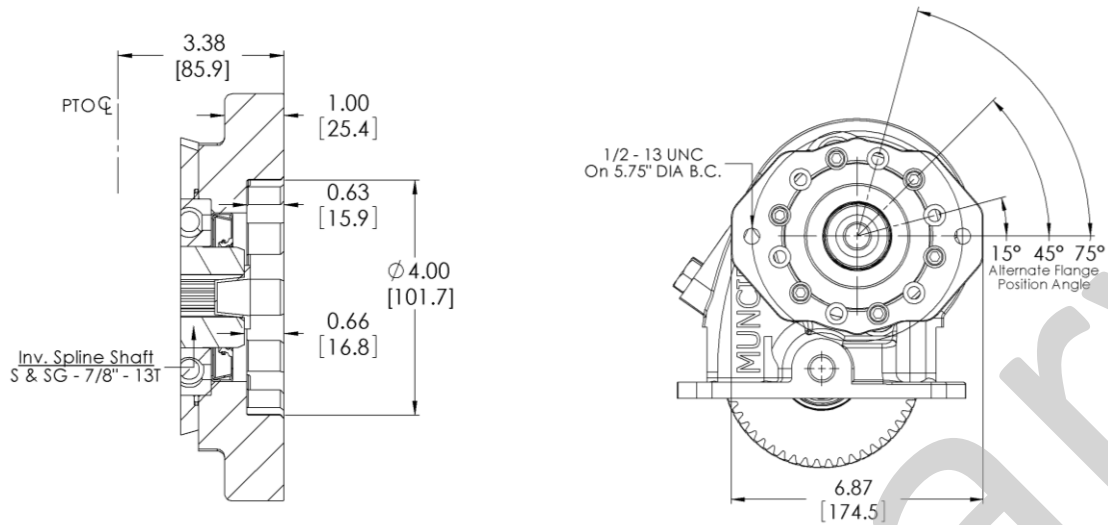
"Q" Output Option – SAE 'A' 2 & 4 Bolt w/ 7/8" – 13T SAE 'B' Shaft

"R" Output Option – SAE 'A' 2 & 4 Bolt w/ 5/8" – 9T

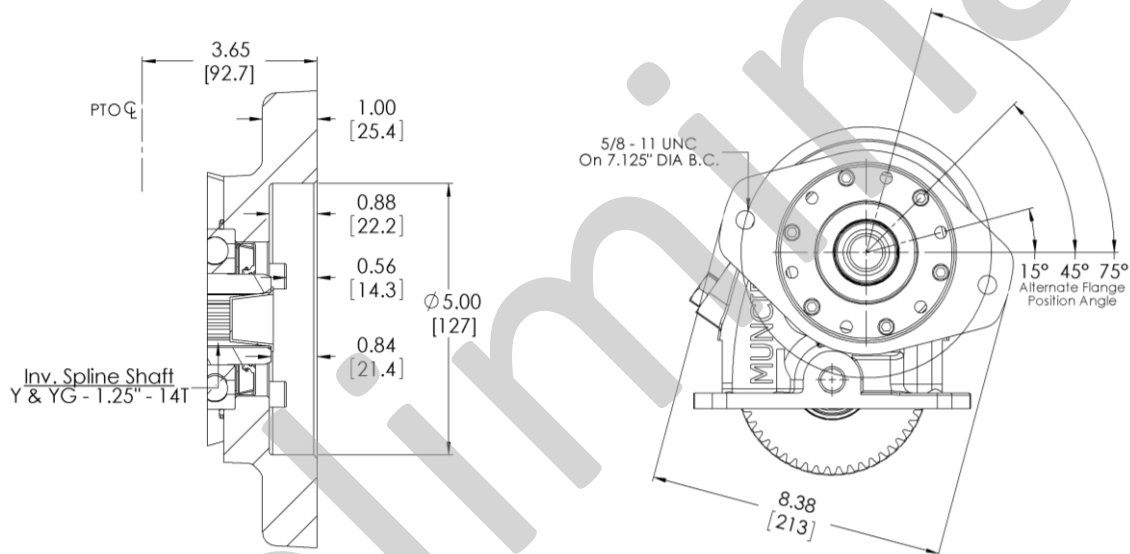
"T" Output Option – SAE 'A' 2 Bolt w/ 3/4" – 11T



“S” & “SG” (Greaseable) Output Option – SAE ‘B’ 2 & 4 Bolt w/ 7/8” – 13T



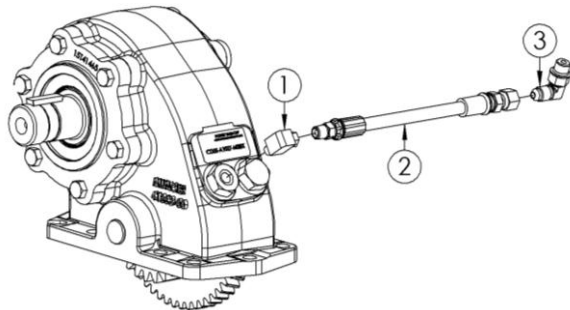
“Y” & “YG (Greaseable)” Output Option – SAE ‘A’ 2 Bolt w/ 1.25” – 14T



Accessory Kits

Pressure Lube Kit

43MK3620 (Option B) 43TK5087 (Option W)
 43MK2810 (Option X) 43TK5152 (Option 3)

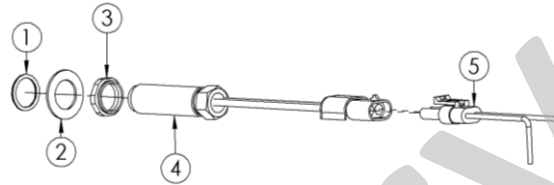


ITEM	QTY	PART NO	DESCRIPTION
1	1	43M05522 43T35867 43M02203	Hydraulic Adapter (Option B & X) Hydraulic Adapter (Option 3) Hydraulic Adapter (Option W)
2	1	45M4R528 45M4R548 45T39186	28" Standard Hose Assembly (Option W & X) 48" Hose Assembly (Option B) 17" Lube Hose Assembly (Option 3)
3	1	43M68014	Elbow (Transmission) (All Options)

Speed Sensor Kit

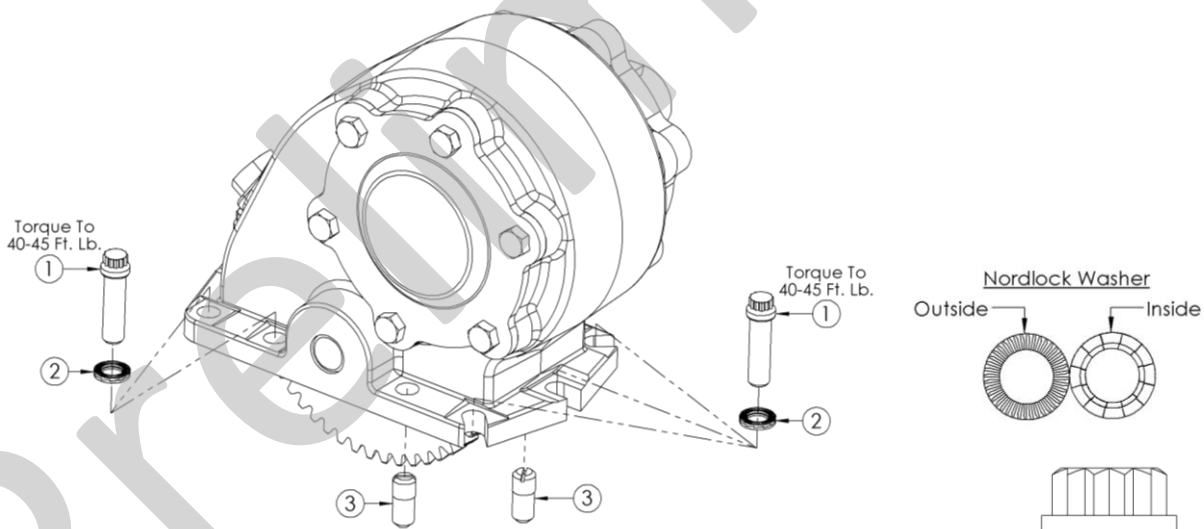
31TK3873 (Option "U")

Torque To
30 Ft. Lb.



ITEM	QTY	PART NO.	DESCRIPTION
1	1	21T41900	Seal Washer
2	1	21T35603	Flat Washer
3	1	21T35109	Jam Nut
4	1	31T25108	Mag Pickup
5	1	34MA1415	Wiring Harness

CD05/10 Bolt Kit – 20TK5190



ITEM	QTY	PART NO	DESCRIPTION
1	8	19T41480	12 Pt. Metric Capscrew
2	8	21T40360	Nord-Lock Washer
3	2	20T35779	Alignment Stud

Mount two halves
of the washer
with insides
facing as shown



SP11-02 - Preliminary Printed in the U.S.A.
 © Muncie Power Products, Inc. 2011

Muncie Power Products, Inc. Member of the Interpump Hydraulics Group
 General Offices and Distribution Center • P.O. Box 548 • Muncie, IN 47308-0548
 (765)284-7721 • FAX • (765) 284-6991 • E-mail info@munciepower.com
 Web site <http://www.munciepower.com>
 Drive Products, Exclusive Agents for Canada, ISO Certified by an Accredited Registrar



Pro **Gear**

AND TRANSMISSION, INC.

If you have any questions about any Munice Product, do not hesitate to call us so we can help you with finding the right PTO, part or anything else you may need.

906 West Gore St
Orlando, FL 32805
USA

Contact Us:

1-866-776-4600

1-407-872-1901

Fax:

1-407-872-6235