

REBUILT MUNCIE PTO

877-776-4600 | 407-872-1901



For parts or service call Pro Gear & Transmission, Inc. | parts@eprogear.com

SS66 SPLIT SHAFT POWER TAKE-OFF



PTO FEATURES

- **INSTALLS IN THE DRIVE SHAFT BETWEEN THE TRANSMISSION AND THE REAR AXLE.**
- **THROUGHPUT TORQUE: 2900 LB.FT. [400 KGM]**
- **DRY WEIGHT: 20 LB. [9.1 KG]**
- **COMPACT DESIGN WITH ALUMINUM CASTING KEEPS WEIGHT TO A MINIMUM.**
- **SAE 6-BOLT OPENINGS TO ACCEPT ONE OR TWO SIDE MOUNTED PTOS TO DRIVE HEAVY DUTY AUXILIARY EQUIPMENT.**
- **WIDE SELECTION OF PTOS AVAILABLE. PTO SERIES, RATIO, AND OUTPUT CAN BE DIFFERENT FOR EACH SIDE. PTOS MUST BE ORDERED SEPARATELY. REFER TO MUNCIE APPLICATION PAGE MUNC-1 LOCATED IN THE MUNCIE QR CATALOG.**
- **AUXILIARY POWER CAN BE TRANSMITTED WHILE VEHICLE IS IN MOTION.**
- **MAIN DRIVE TO THE REAR AXLE IS CONTROLLED BY AIR OR CABLE INDEPENDENTLY OF PTO OPERATION.**



*The Muncie Split Shaft PTO
Model SS66-U2X3-A00XX
(As shown, less PTOs)*

MODEL NUMBER CONSTRUCTION

SS 66 — U2 X3 — A 00 XX X

PTO Type

Split Shaft — SS

PTO Series

6-Bolt Opening — 66

Torque Rating

2900 lb.ft. — U2
(Base Unit: 3258010300 Air
3258020300 Cable)

Main Shaft

Flange Selection

1410 (Kit: 2053740000) — X2
1510 (Kit: 2053750000) — X3

Special Features

X — None

Special Options

XX — None

PTO Mounting

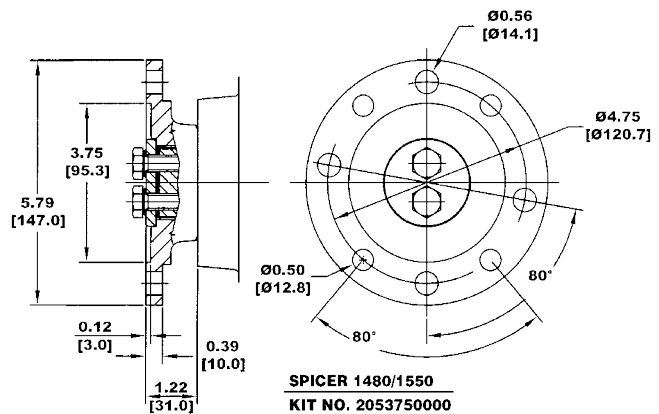
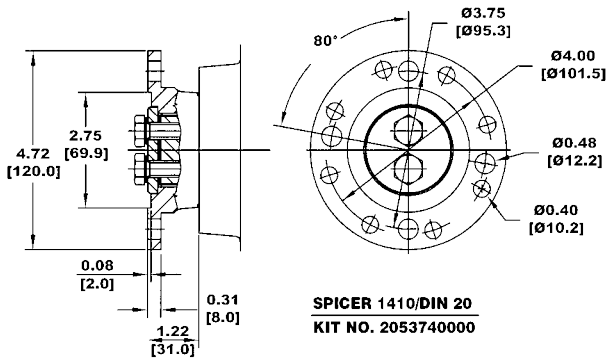
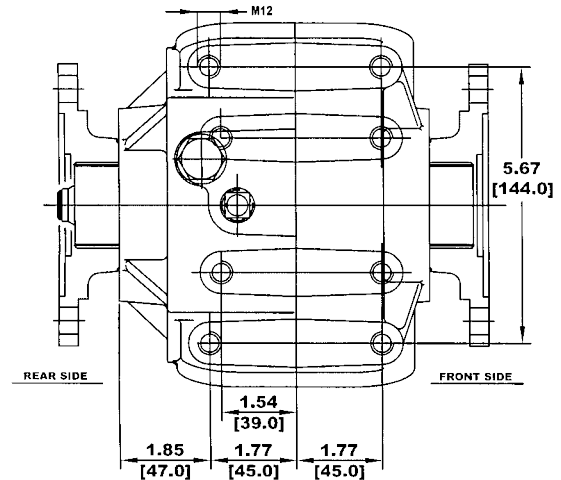
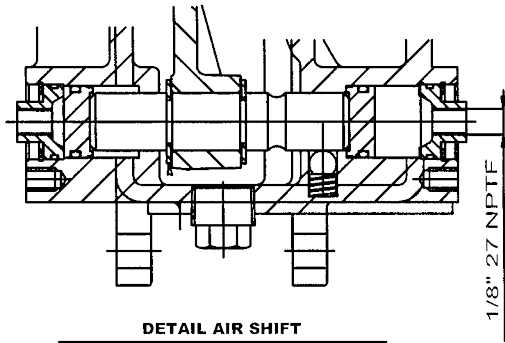
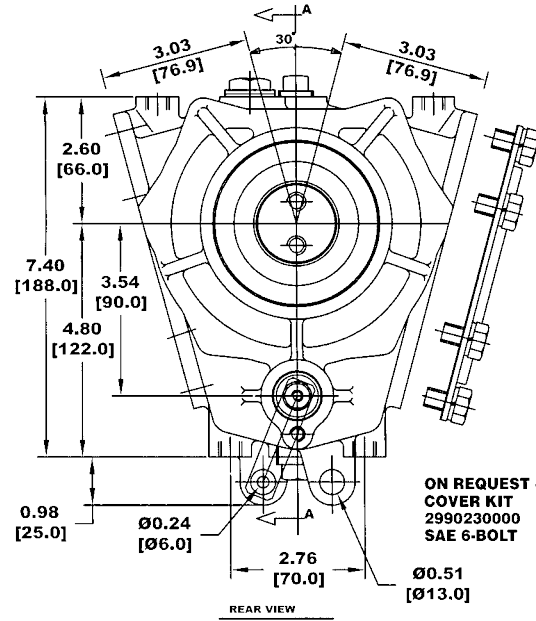
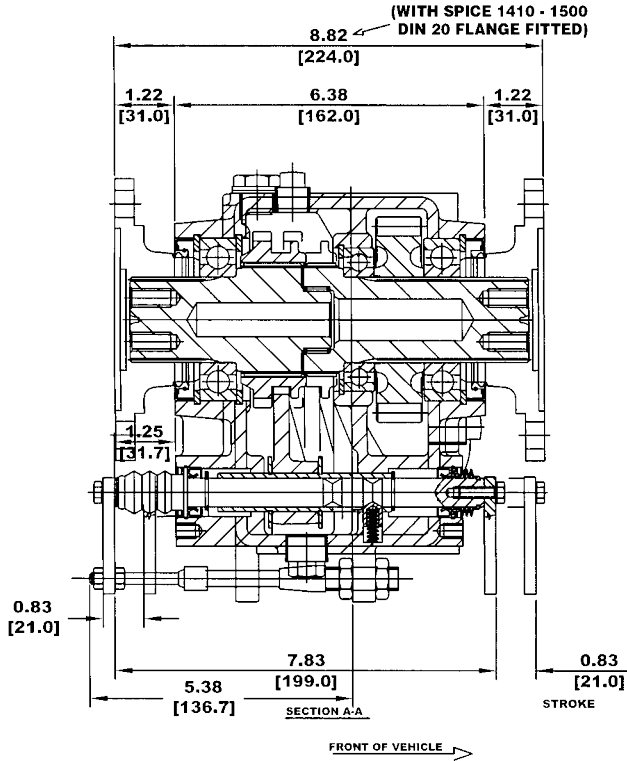
00 — Both Openings Open
0X — #1 Open, #2 Covered
X0 — #1 Covered, #2 Open
XX — Both Sides Covered
(Cover Kit: 2990230000)

Shifter Type

A — Manual Air 12V (48M61261A)
C — Cable Control (Cable not incl.)*
E — Electric/Air 12V (48T37421A)

*Order Control Cable Separately 55 Series, 2" Travel, Bulkhead Mount. Example: KB55-BM-2-XXX

SS66 SPLIT SHAFT DIMENSIONAL INFORMATION



MP01-01 (Rev. 6-09) Printed in the U.S.A.
© Muncie Power Products, Inc. 2009

Muncie Power Products, Inc. Member of the Interpump Hydraulics Group
General Offices and Distribution Center • P.O. Box 548 • Muncie, IN 47308-0548
(765) 284-7721 • FAX (765) 284-6991 • E-mail info@munciepower.com
Web site <http://www.munciepower.com>

Drive Products, Exclusive Agents for Canada, ISO Certified by an Accredited Registrar

