

# REBUILT MUNCIE PTO

877-776-4600 | 407-872-1901



For Muncie PTO parts or service call Pro Gear & Transmission, Inc.  
877-776-4600 / 407-872-1901 | parts@eprogear.com



## ALPHA SERIES PTO SUPPLEMENT INSTRUCTIONS

Read and follow the safety procedures and instructions for PTO mounting found in the PTO owner's manual IN84-03 supplied with this PTO. If you do not have an owner's manual obtain one from [www.munciepower.com](http://www.munciepower.com) or by request at 1-800-367-7867.

Follow the detailed instructions steps in the IN84-03 with the following modifications and additions.

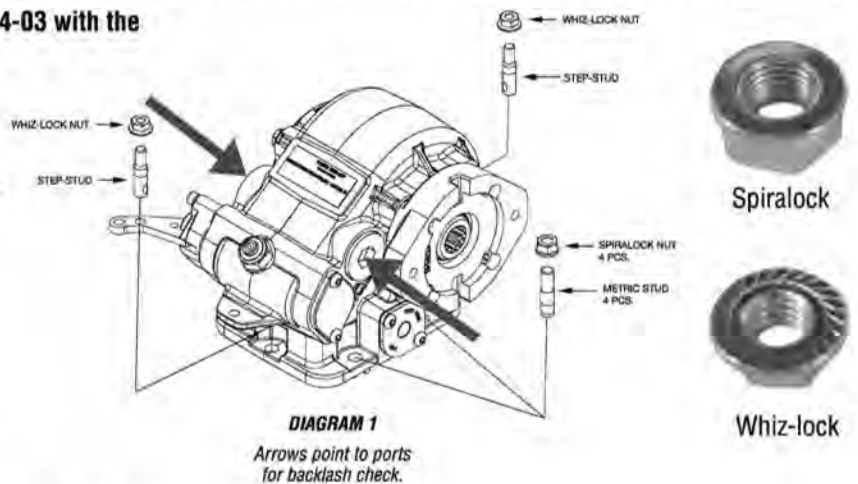
On the 4x4 Dodge chassis the forward drive shaft should be detached from the yokes to allow clearance to install the PTO.

**STEP 7** – The alpha PTO is provide with 6 metric studs, 2 of these studs are step-studs. These step studs are to be mounted in the 6 and 12 o'clock positions of the PTO mounting. The 4) standard metric studs will use 3/8"-24-UNF Spirallock nuts and the 2) step-studs use 5/16"-UNC whiz-lock nuts.

**STEP 9** – The Alpha series does not have a removable shift cover. There are two 1" straight thread ports in the side of the housing for backlash checking. Remove the plug closest to the input gear for inspection and measurement. (See Diagram 1)

**STEP 13** – The 3/8" Spirallock nuts are to be torqued to 40-45 ft.lb. and the 5/16" whiz-lock nuts are to be torqued to 18 ft.lbs.

**STEP 14** – Replace the plugs removed in Step 9.



### INSTALLATION OF THE SHIFT CABLE For the Dodge A1 Series PTO

Model No. **A16M-D94\*\*-C\*\*\***



FIGURE 1 – Components

To begin you will have eight (8) key components to install the shift cable to your Dodge A1 Series PTO. Refer to the list of materials and Figure 1 to make sure that you have all the required components.

- One (1) Clamp
- Two (2) M6 Nuts
- Two (2) Bolts
- Two (2) Washers
- One (1) Cable

Begin by putting the cable lever into the disengage position (pull the lever away from the PTO housing). Next, place the cable into the clamp near the end of the cable insulation (about 1"-2"). Slide the bolt through the hole in the PTO housing as well as both sides of the clamp and fasten the nut onto the bolt to secure the cable in place. Refer to figure 2.



FIGURE 2 - Clamp installation

Next, place the bolt through the second hole from the top of the cable lever. Slide a washer on from the bottom of the bolt and feed the smaller cable control wire through the hole machined into the bolt. Once the wire has been fed through the hole, slide another washer onto the bottom of the bolt and fasten the nut to secure the wire. Refer to figures 3 and 4 below.

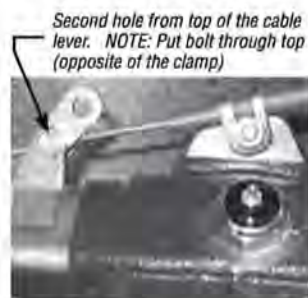


FIGURE 3 – Bolt through second hole on cable lever

Wire through machined hole in bolt and in-between both washers.



FIGURE 4 – Bolt with wire

When finished with cable installation, replace the forward drive shaft in the same position in which it was removed.

